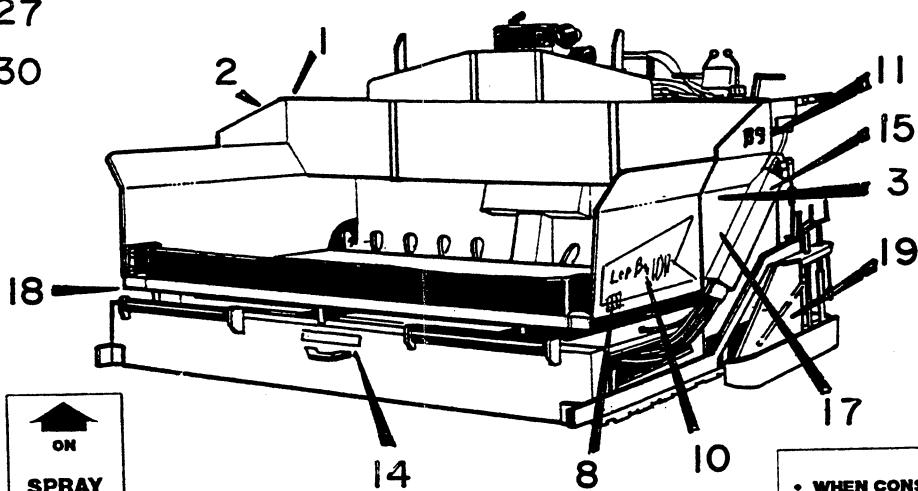
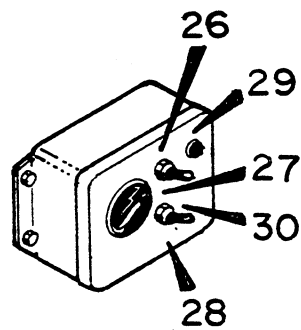
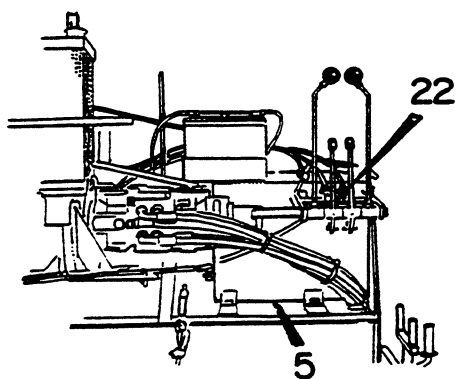
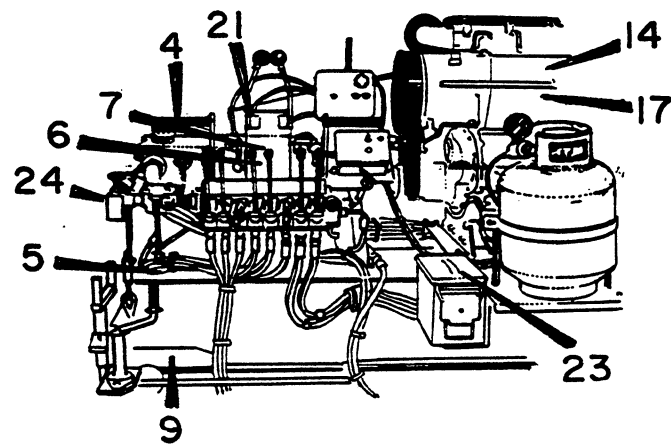
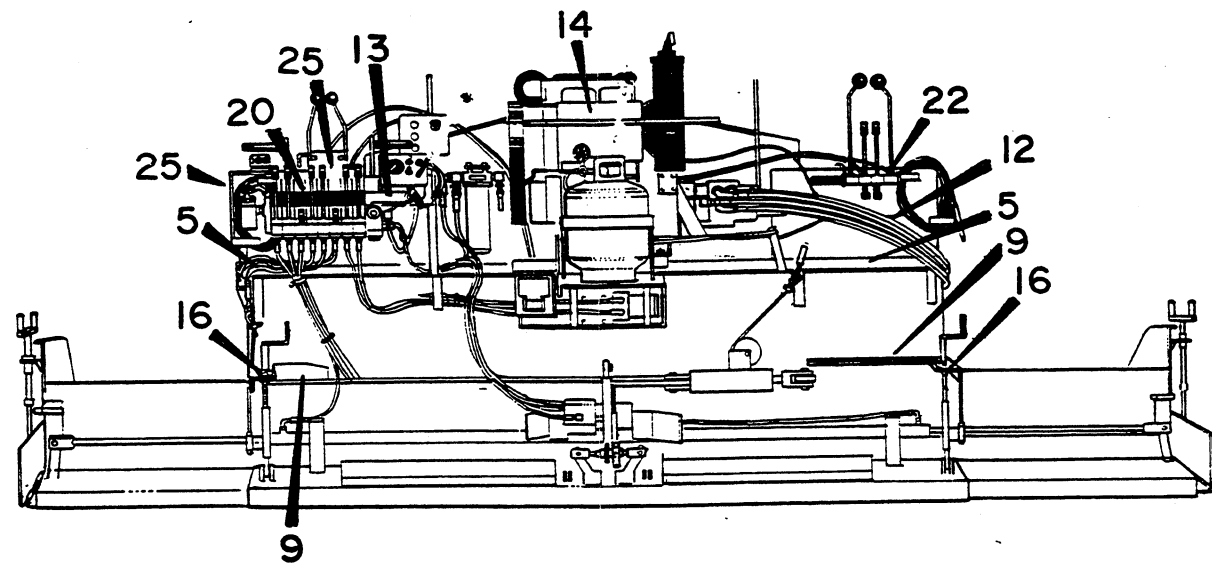


**AUTOMATIC AUGER ELECTRICAL
COMPONENTS**



ITEM NO.	PART NO.	DESCRIPTION	QTY.
1			2
2			2
3			2
4			2
5			2
6			2
7			2
8			2



↑ HIGH GEAR

↓ LOW GEAR

↑ ON
SPRAY
DOWN
OFF ↓

WARNING LIGHT

• WHEN CONSTANT LOW GEAR
• WHEN OFF HIGH GEAR

WARNING:
PAVING IN LOW GEAR ONLY

DANGER
DO NOT FILL FUEL TANK WHILE ENGINE IS RUNNING OR NEAR BY IS BEING HEATED

WARNING
DO NOT USE ELECTRIC SPRAY SYSTEM WHEN BURNERS ARE IN USE

DANGER
PINCH POINT
CAUTION
DO NOT SPRAY FUEL OIL ON TIRES.

WARNING
HYDRAULIC OIL ONLY

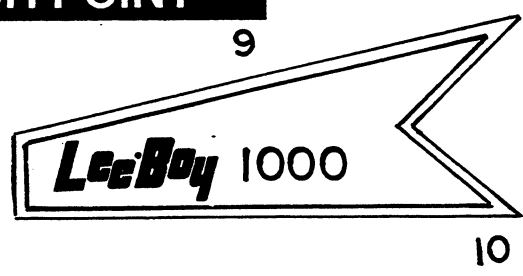
DANGER
Keep Hands & Clothing Clear of Augers & Conveyors

DO NOT OPERATE OR TOW THIS MACHINE WITHOUT FIRST FULLY UNDERSTANDING THE CONTENTS OF THE OPERATORS MANUAL.

IMPORTANT
WHEN CHANGING GEARS MOVE DRIVE LEVERS FORWARD AND REVERSE GENTLY, WHILE APPLYING ABOUT 15 LBS. PRESSURE ON SHIFTER HANDLE. THIS WILL ELIMINATE TRANSMISSION DAMAGE.

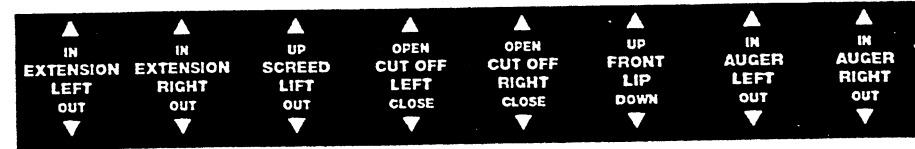
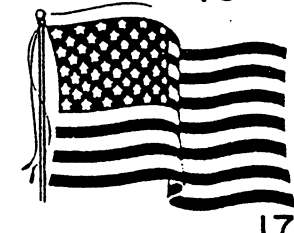
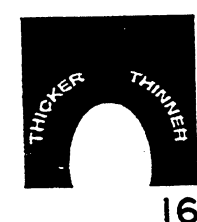
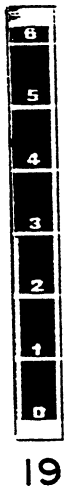
DANGER
Always Keep Guidebar Latched While in Transit (Keep All Adjustments Tight)

DANGER
PINCH POINT



LEE-BY MFG. CO.
DENVER, NORTH CAROLINA 28037

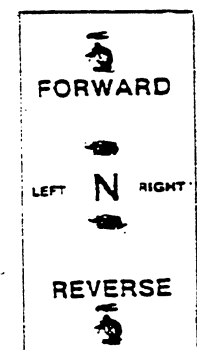
HYDRAULIC OIL ONLY



TOOL BOX

VIBRATOR

CHECK OIL EVERY 30 DAYS



- Lee-Boy**
Check List
(1000B - 8000B - 8000BH)
- A. Check fuel level in tanks before lighting burners. (Propane pressure: 6-8 lbs.)
 - B. Check engine oil (use 15W40)
 - C. Check air cleaner every 100 Hrs. (Section 5)
 - D. Check hydraulic oil level (use 15W40). (Section 5)
 - E. Check oil level in gear boxes (use 90 W1). (Section 5)
 - F. Grease all fittings daily except on bearings. Grease bearings every 6 months, being careful not to rupture seals. Auger grease fittings need to be greased at end of day while still hot. (Section 5)
 - G. Check Quadco Controls and pump cables daily for wear (Questions: Check manual under Quadco Controls.) **DANGER:** Never shift High-Low on incline
 - H. Check hoses for damage or wear.
 - I. Cleaning screed inserts. (Section 5)
 - J. Spraying fuel oil on machine for lubricating Do not spray drive wheels. (Section 4)
 - K. Always loosen vibrator nuts before adjusting crown. (Section 4)
 - L. Track Adjustment: Adjust tension on springs to where spring measures 6-3/4" long. Then measure threaded rod coming out of take-up nut. Be sure both sides measure the same.

WARNING
ALWAYS FOLD SIDINGS ON HOPPER OUT TO WORKING POSITION BEFORE RAISING TO AVOID DAMAGE.

25
(8' machine only)