



ILLUSTRATED PARTS LIST

**THIS SUPPLEMENT COVERS WIRING DIAGRAMS AND ENGINE PARTS
AVAILABLE FROM LEEBOY PARTS SALES.**

**FOR ALL ENGINE PARTS NOT LISTED ON THE FOLLOWING PAGES,
CONTACT YOUR ENGINE DEALER.**

400 & 400T ROLLER

Manual No. 400498-01

For Units with Serial No. 43832 and higher

Revised 06-15-07

**THIS PAGE
INTENTIONALLY
LEFT BLANK**



ILLUSTRATED PARTS LIST

TABLE OF CONTENTS

	Page
INTRODUCTION	IPL-3
ILLUSTRATED PARTS LIST	IPL-3
HOW TO USE THE IPL.....	IPL-3
EXPLANATION OF PART NUMBERS	IPL-3
GENERAL SYSTEM OF ASSEMBLY ORDER	IPL-3
ALPHABETICAL INDEX	IPL-3
EQUIPMENT DESIGNATOR INDEX.....	IPL-3
FIGURE 1. KUBOTA ENGINE GROUP	IPL-4
FIGURE 2. MISCELLANEOUS GROUPS - KUBOTA	IPL-7
FIGURE 3. HATZ ENGINE & MISCELLANEOUS GROUPS	IPL-9
FIGURE 4. FRONT DRUM & YOKE ASSEMBLY	IPL-10
FIGURE 5. REAR DRUM ASSEMBLY	IPL-12
FIGURE 6. CANOPY & ROLLBAR GROUPS	IPL-14
SCHEMATICS	
ELECTRICAL SCHEMATIC, 400/400T ROLLER	SCHM-1
ELECTRICAL SCHEMATIC, KUBOTA ENGINE	SCHM-2
ELECTRICAL SCHEMATIC, GAUGE PANEL	SCHM-3
ELECTRICAL SCHEMATIC, WARNING LIGHTS	SCHM-4
ELECTRICAL SCHEMATIC,TOW PACKAGE	SCHM-5

ILLUSTRATED PARTS LIST





ILLUSTRATED PARTS LIST

INTRODUCTION

This Illustrated Parts List (IPL) is intended for use in identifying and requisitioning replacement parts.

ILLUSTRATED PARTS LIST

HOW TO USE THE IPL

In column 1, FIG refers to the corresponding illustration, and ITEM refers to the item number for the referenced illustration.

Parts with a dash preceding the ITEM number are not illustrated.

In column 2, PART NUMBER refers to the associated FIG or ITEM in column 1.

In column 3, NOMENCLATURE refers to the description of the associated PART NUMBER. Bullets preceding the description are explained in **General System Of Assembly Order**, in following paragraphs.

In the case of sub-assemblies, parts are captioned ATTACHING PARTS and are listed immediately following the attached part(s). The -----*----- symbol follows the last item of the attached parts group.

In column 4, UNITS PER ASSY refers to the quantity required to assemble the item illustrated in the associated FIG. Unit of measure may be EACH, FT, LBS or other.

In the case of sub-assemblies, the quantities listed for the attaching parts are the quantity required to attach one item.

NHA notations at item descriptions refer to Next Higher Assembly.

On the associated illustrations, numbers in parentheses next to the item number, refer to the quantities used at that assembly location.

EXPLANATION OF PART NUMBERS

If standard parts (those with AN, MS, NAF, NAS prefixes) are used, the standard part number is listed in the PART NUMBER column.

If a company other than LeeBoy is referred to as the original manufacturer, these parts may carry the original manufacturer's part number or a LeeBoy part number. These manufacturers are identified by an appropriate vendor code following the nomenclature. If the part number is a LeeBoy part number, the original manufacturer's part number is given after his vendor code. Vendor codes are in accordance with the current issue of Cataloguing Handbook, "Commercial and Government Entity" (H4-1 and H4-2) and are preceded by the capital letter "V".

When a vendor code cannot be obtained from the H4-1 and H4-2 Cataloguing Handbook, the manufacturer's full name and address are included in the parts list. Government standard parts such as AN, MS, NAF and NAS parts are not identified with a vendor code.

GENERAL SYSTEM OF ASSEMBLY ORDER

The indenture system used in the Illustrated Parts List shows relationship of parts and assemblies to the next higher assembly or installation as follows:

1 2 3 4 5 6 7

Installation

- Detail parts for installation
- Assembly
- Attaching parts for assembly
- *-----
- Detail parts for assembly
- Sub-assembly
- Attaching parts for sub-assembly
- *-----
- Detail parts for sub-assembly
- Sub-sub-assembly
- Attaching parts for sub-sub-assembly
- *-----
- Detail parts for sub-sub-assembly

ALPHABETICAL INDEX

An Alphabetical Index is provided as a supplement at the end of the Illustrated Parts List.

EQUIPMENT DESIGNATOR INDEX

If equipment designators are used in place of part numbers at any place in the IPL, an Equipment Designator Index is provided, listing all equipment designators listed in the Illustrated Parts List.

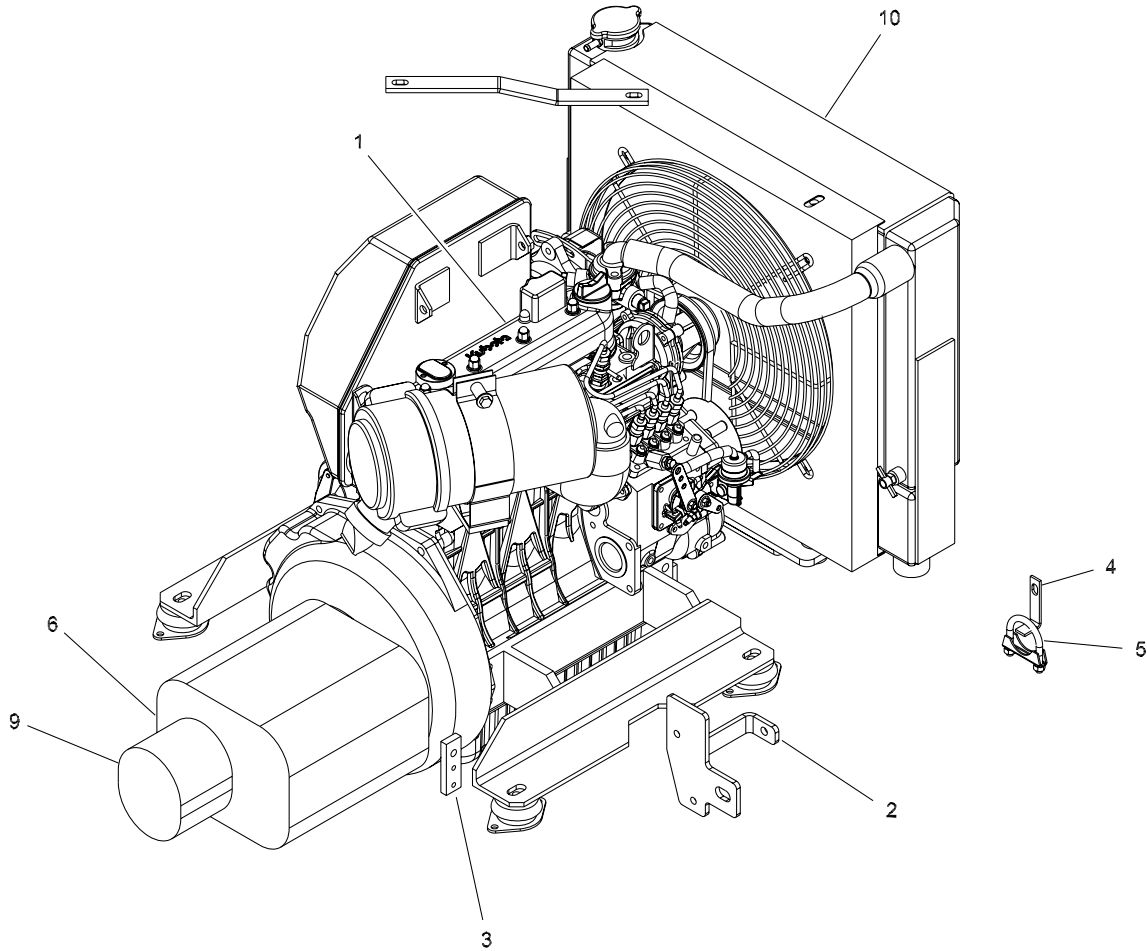


FIGURE 1. KUBOTA ENGINE GROUP

FIGURE 1. KUBOTA ENGINE GROUP

FIG ITEM	PART NUMBER	NOMENCLATURE 1 2 3 4 5 6 7	UNITS PER ASSY
1	987149	ENGINE GROUP	
1	986598	•ENGINE ASSY,400 W/KUBOTA	1
-101	986598-01	••STARTER,ENGINE,KUBOTA	1
-102	986598-02	••HARNESS,ENGINE,KUBOTA (See Schematic at end of IPL)	1
-103	986598-03	••VLV,FUEL SOLENOID	1
-104	986598-04	••FAN,KUBOTA ENGINE,V1505B	1
-105	986598-05	••KIT,FILTER,400 SERIES	1
-201	38778-1	•••FILTER ELEMENT,OIL	1
-202	985909	•••FILTER ELEMENT,AIR,PRIMARY	1
-203	38845-1	•••FILTER ELEMENT,FUEL	1
-204	800019A	•••FILTER ELEMENT,HYD SUCTION	1
-106	986598-06	••COUPLING,PUMP DRIVE,400 SERIES	1
-107	986598-07	••PLATE,PUMP DRIVE,400 SERIES	1
2	986770	•BRKT-CABLE, THROTTLE/PUMP 400	1
3	981223	•EXTENSION, PUMP ACTUATOR	1
4	986790	•BRACKET, TAILPIPE CLAMP	1
5	33306	•CLAMP,MUFFLER,1-1/2"	1
6	530040B	•PUMP,HYD,400S DRIVE	1
9	320232	•PUMP,HYD,GEAR,.85 CIR	1
10	982080-15	•RADIATOR/COOLER	1
-12	37846	•CLEVIS,10-32X1.25,W/.250 PIN	2
-13	851214	•CABLE,PUSH/PULL,90"X3" STROKE	1

- ITEM NOT ILLUSTRATED

**THIS PAGE
INTENTIONALLY
LEFT BLANK**

FIGURE 2. MISCELLANEOUS GROUPS - KUBOTA

FIG ITEM	PART NUMBER	NOMENCLATURE 1 2 3 4 5 6 7	UNITS PER ASSY
2	TBD	MISCELLANEOUS GROUPS	
-1	160040A	WORK LIGHT	4
-2	160320	ALARM,BACK UP,107DB	1
-3	33964	SWITCH,BACKUP ALARM,NEUTRAL	1
-4	480110	PUMP,WATER SPRAY	1
-5	210893	BEACON,AMBER,ROTATING LIGHT	1
-6	500090A	MANIFOLD,VIBRATOR,MAIN RELIEF	1
-7	500040	SWITCH,TOGGLE,SPST,2-POS	4
-8	36695	FUSE BLOCK,6 GANG,ATC	1
-9	ECG-5802	DIODE,VOLTAGE BLOCKING	1
-10	Buy Locally	BATTERY,12V,725CCA	1
-11	986773	PANEL,GAUGES,KUBOTA	1
-12	986772	PANEL,LIGHTS,KUBOTA	1
*-13	340060L	BRAKE ASSY,12VDC,2X12,LH	1
*-14	340060R	BRAKE ASSY,12VDC,2X12,RH	1
*-15	330050	BRAKE LIGHT	2
*-16	32888	SWITCH,BREAK AWAY,W/CABLE	1

* 400T ONLY

- ITEM NOT ILLUSTRATED

**THIS PAGE
INTENTIONALLY
LEFT BLANK**

FIGURE 3. HATZ ENGINE & MISCELLANEOUS GROUPS

FIG ITEM	PART NUMBER	NOMENCLATURE 1 2 3 4 5 6 7	UNITS PER ASSY
3	TBD	HATZ ENGINE & MISCELLANEOUS GROUPS	
-1	320004	ENGINE,HATZ,2L41C,37HP	1
-2	851479	PLATE,FLYWHEEL PUMP DRIVE	1
-3	320200	ADAPTER,PUMP TO ENGINE	1
-4	320140	MOUNTING PAD,HATZ ENGINE	4
-5	320300	ALTERNATOR,HATZ	1
-6	320250-2	MANIFOLD,EXH,HATZ,2-CYL	1
-7	320090-2L	BELT,ALTERNATOR/BLOWER,HATZ	1
-8	320270	MOTOR,STARTER,HATZ	1
-9	320280	SOLENOID,STARTER,HATZ	1
-10	320290	BLOWER/FAN,HATZ	1
-11	320110	DIP STICK,HATZ ENGINE	1
-12	310060	FILTER ELEMENT,AIR	2
-13	320120	LEVER,THROTTLE,HATZ	1
-14	310080	FILTER ELEMENT,FUEL	1
-15	310090	FILTER,FUEL,IN LINE	1
-16	310070	FILTER ELEMENT,OIL	1
-17	851567	VALVE,SOLENOID,FUEL SHUT OFF	1
-18	320387	SENDING UNIT,ENG OIL PRESSURE	1
-19	HAT01603700	GASKET,MUFFLER/MANIFOLD,HATZ	1
-20	320375	INSTR BOX W/SWITCH & PANEL,HATZ	1
-21	320320	RELAY,STARTER,HATZ	1
-22	320330	MOUNT,STARTER RELAY	1
-23	320340	TERMINAL BLOCK,IGNITION PANEL	1
-24	320390	SWITCH,IGNITION,HATZ	1
-25	320383	INDICATOR LAMP,ENG TEMP	1
-26	320385	INDICATOR LAMP,AIR FILTER	1
-27	320360	LIGHT BULB,ENG INDICATOR LAMP	4
-28	320382	PLUG,HATZ,INSTR PANEL	1
-29	320384	INDICATOR LAMP,ENG OIL PRESS	1
-30	320386	INDICATOR LAMP,BATTERY CHG	1
-31	320380	KEY,IGNITION,HATZ	1
-32	320370	COVER,IGNITION SWITCH,HATZ	1
-33	720110	HORN,12V	1

- ITEM NOT ILLUSTRATED

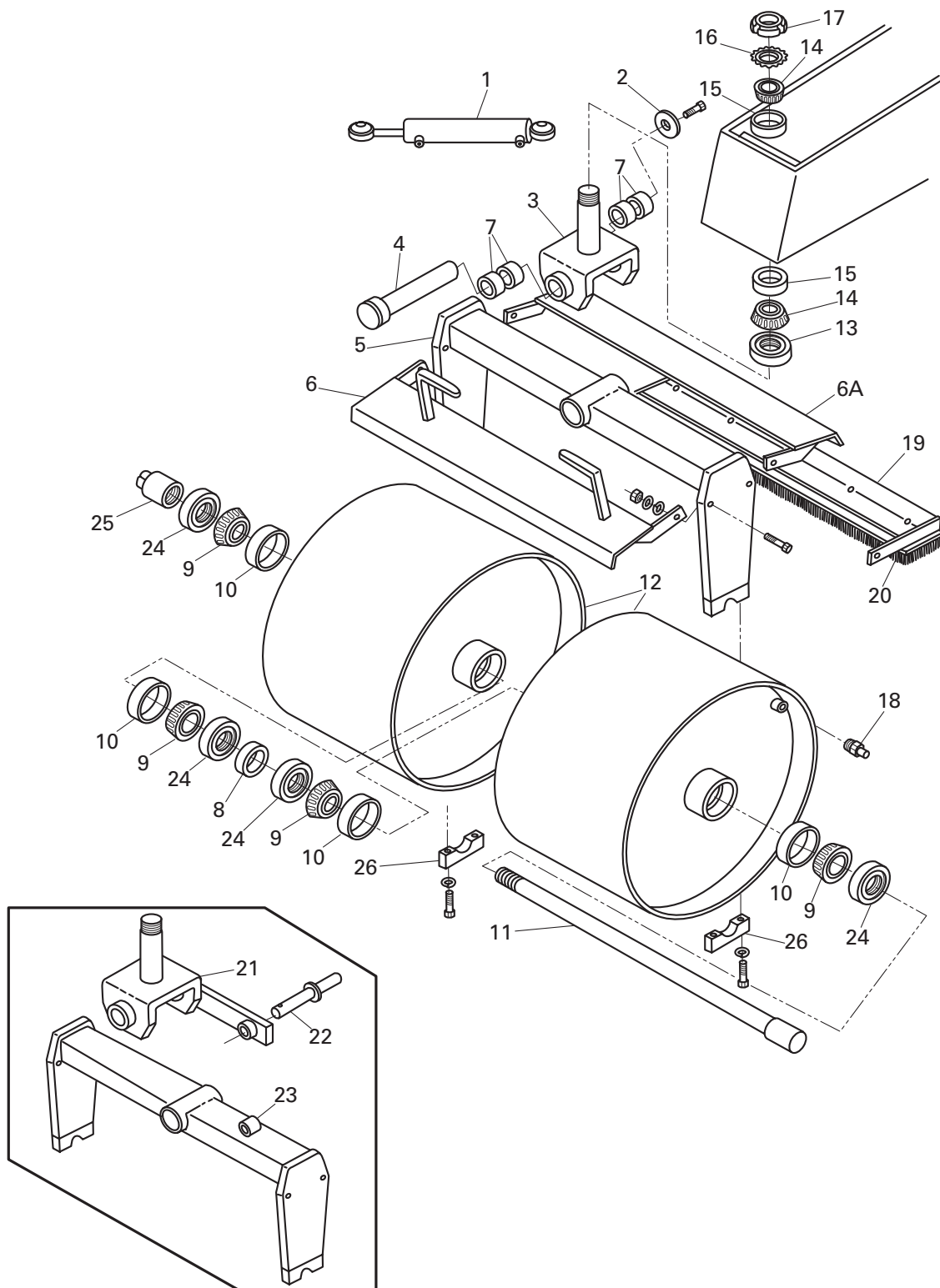


FIGURE 4. FRONT DRUM & YOKE ASSEMBLY

FIGURE 4. FRONT DRUM & YOKE ASSEMBLY

FIG ITEM	PART NUMBER	NOMENCLATURE 1 2 3 4 5 6 7	UNITS PER ASSY
4	400877	FRONT DRUM & YOKE ASSEMBLY	1
1	851436	CYLINDER,2.00X12.00X1.00 ROD	1
-1A	210460-1	SEAL KIT FOR HYD CYL	A/R
2	420022	WASHER,FRONT YOKE PIN	1
3	420032A	STEERING YOKE	1
4	420042	PIN,STEERING YOKE	1
5	420043	CROSSMEMBER,FRONT END	1
6	420063	SCRAPER,400,FRONT END	1
6A	420064	REAR WIPER BLADE,FRONT ROLLER	1
7	210010	BUSHING,2.00 IDX2.50 ODX1.75	2
8	420082A	SPACER,FRONT AXLE,400	2
9	210180	BEARING CONE	4
10	210190	BEARING CUP	4
11	420112A	AXLE,400,FRONT DRUM	1
12	420124A	DRUM,400,FRONT,HALF,W/BEARINGS	2
13	210240A	SEAL,FRONT YOKE,400	1
14	210180A	BEARING CONE,TIMKEN	2
15	210190A	BEARING CUP,TIMKEN	2
16	210170A	WASHER,LOCK,TANG STYLE	1
17	210160A	NUT,SPL,2.36-18	1
18	420180	PIPE,PLUG,1.00 PVC,HEX	2
19	420190	BRACKET,COCOMAT,FRONT	1
20	430160-44	COCOMAT,6X44,PLASTIC	1
21	420032A	STEERING YOKE	1
22	510041	PIN,TOWING TONGUE,SAFETY	1
23	Buy Locally	CLAMP,INSULATED BAND,5/8"	1
24	210240	SEAL,FRONT AXLE	4
25	420211	NUT,FRONT AXLE	1
26	420102A	CLAMP ASSY,2 PC SPLIT 2 BOLT	2

- ITEM NOT ILLUSTRATED

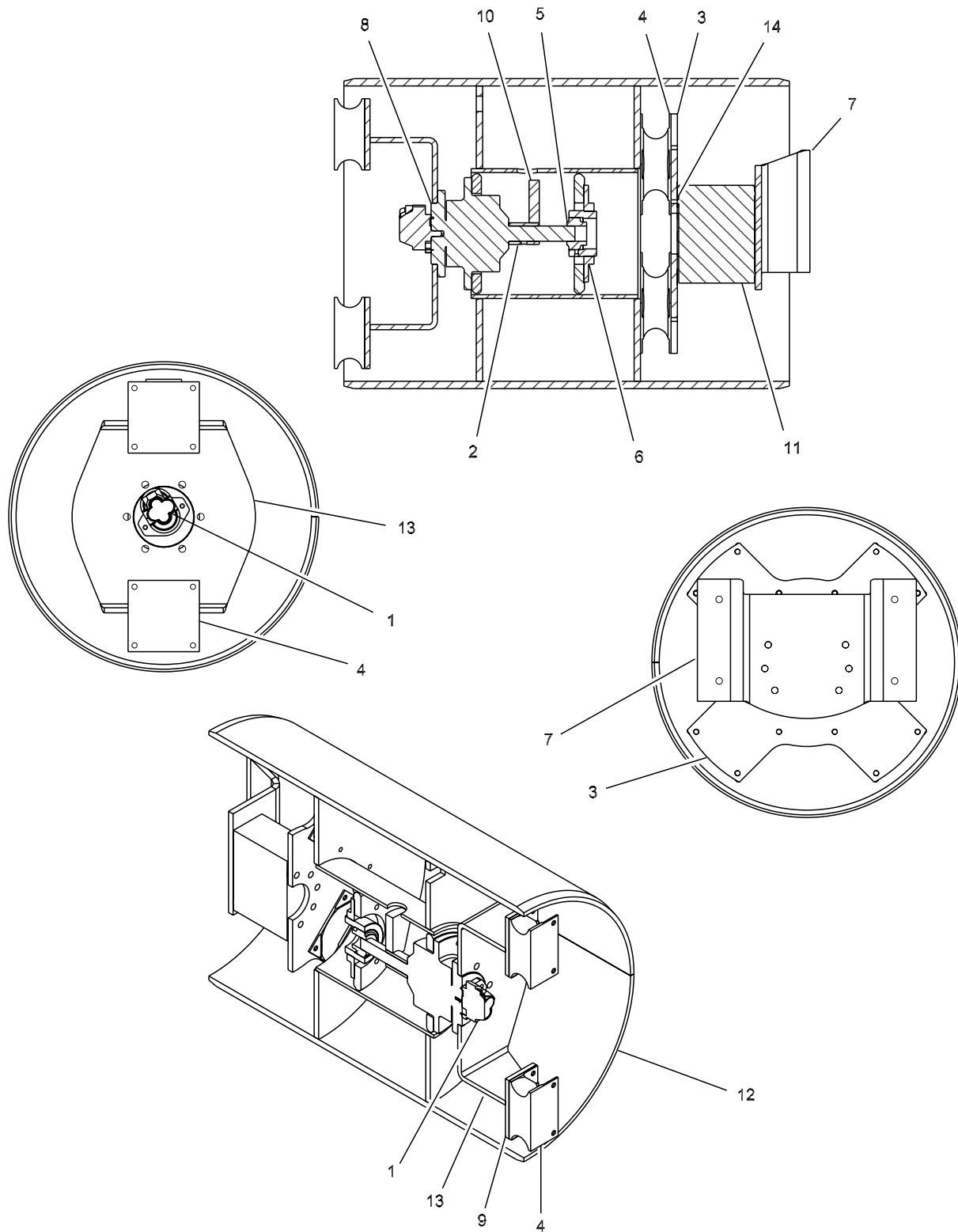


FIGURE 5. REAR DRUM ASSEMBLY

FIGURE 5. REAR DRUM ASSEMBLY

FIG ITEM	PART NUMBER	NOMENCLATURE 1 2 3 4 5 6 7	UNITS PER ASSY
5	400886	REAR DRUM ASSEMBLY	1
1	988504	MOTOR,HYD,GEAR,.67CIR	1
2	400595	TUBE,VIBRATOR COUNTER WEIGHT	1
3	400623	MOUNT, MOTOR TO FRAME	1
4	520020A	SHEAR MOUNT, FRAME TO DRUM	6
5	520060	BEARING,INSERT,1.50	1
6	520281	FLANGE W/HUB,400 ROLLER INNER	1
7	854633	PLATE, 400S DRIVE MOTOR MOUNT	1
8	858248	VIBRATOR HUB/400	1
9	858309	MOUNT, MOTOR TO FRAME	2
10	400596	COUNTER WEIGHT,VIBRATOR	1
11	520030	MOTOR,HYD,DRIVE,400S	1
12	400887-04	REAR DRUM,I.D. MACHINED	1
13	858312	VIBRATOR HUB TO FRAME MOUNT	1
14	986811	WASHER, WEDGE LOCK .67 ID	9
-15	102-203-1A	CSHH,.375-16X.75,GR5	2
-16	100-407-1A	CSHH,.500-20X1.50,GR5	16
-17	102-607-1A	CSHH,.625-11X1.50,GR5	9
-18	102-625-1A	CSHH,.625-11X6.00,GR5	6
-19	100-607-1A	CSHH,.625-18X1.50,GR5	6
-20	140610	FITTING,LUBE,STR,1/4"-28	1
-21	400579	GREASE MOUNT, REAR DRUM	1
-22	520210	HOSE,GREASE,400 REAR DRUM BRG	1
-23	117-5	NUT,HEX,HEAVY,.500-13	1
-24	116-5-1	NUT,HEX,JAM,.500-13	1
-25	143-5	NUT,LOCK,.500-13	16
-26	320241	O-RING,FRONT PUMP	1
-27	108-409	SET SCREW,.500-13X2.00,SQHD	1
-28	400563	SWITCH MOUNT,VIBRATOR NEUTRAL	1
-29	981275	WASHER,FLAT,HEAVY,.625	15
-30	118-5	WASHER,LOCK,.500	16
-31	118-7	WASHER,LOCK,.625	6

- ITEM NOT ILLUSTRATED

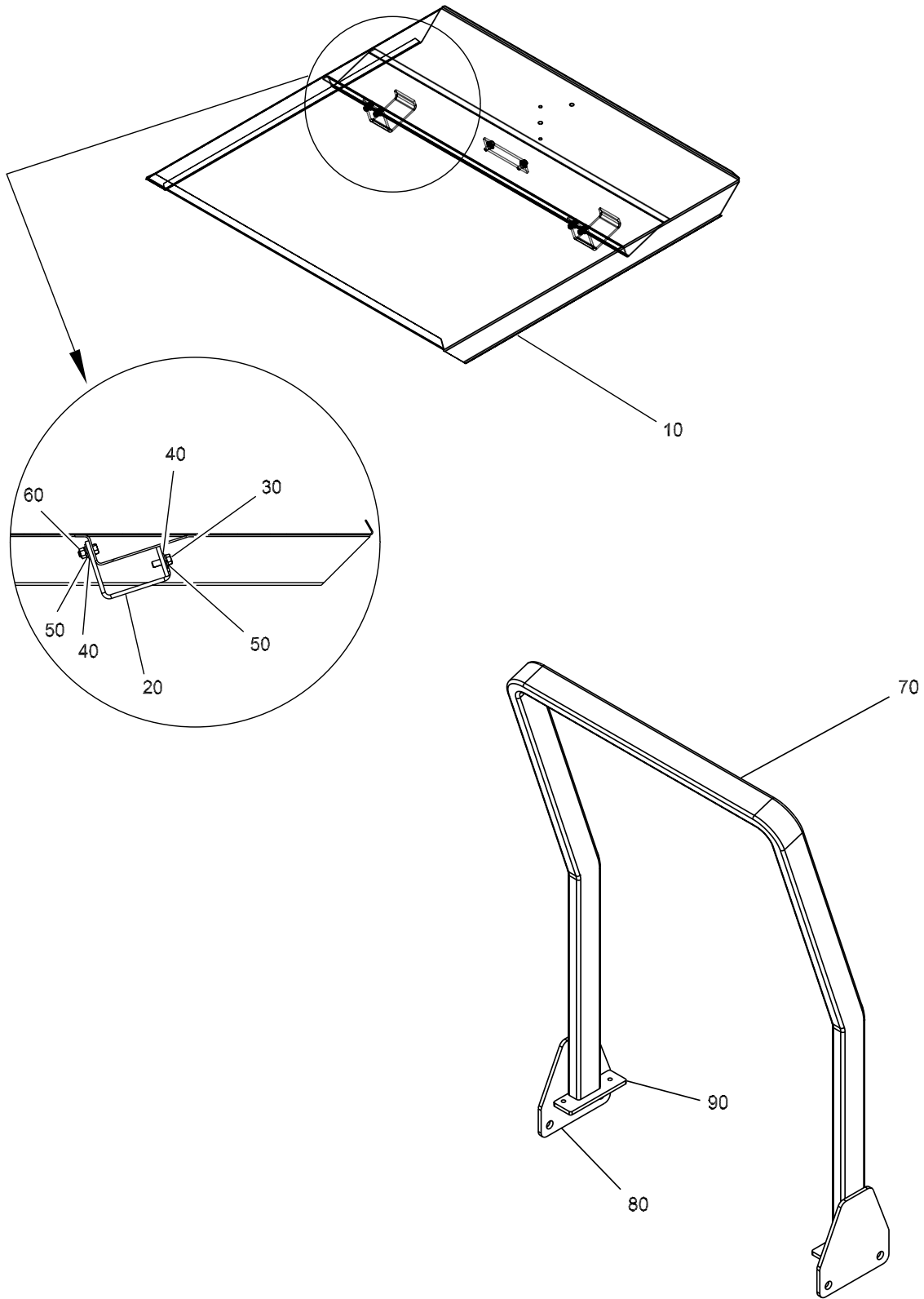


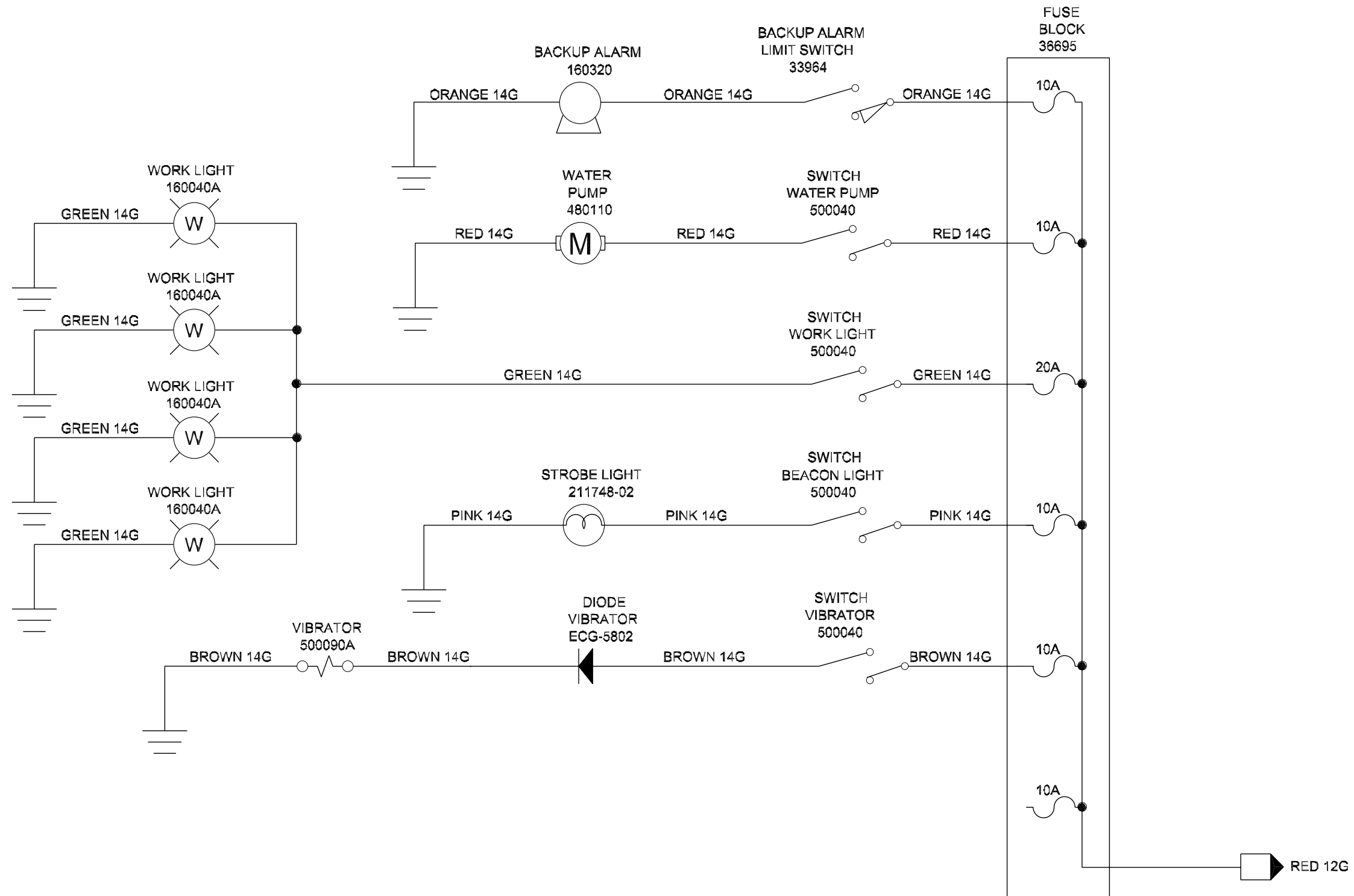
FIGURE 6. CANOPY & ROLLBAR GROUPS

FIGURE 6. CANOPY & ROLLBAR GROUPS

FIG ITEM	PART NUMBER	NOMENCLATURE 1 2 3 4 5 6 7	UNITS PER ASSY
6	TBD	CANOPY & ROLLBAR GROUPS	1
1	987715	CANOPY GROUP	OPT
10	987719	CANOPY,W/M	1
20	987718	CLAMP,ROPS	2
30	80221	CSHH,.375-16X1.00,GR5	2
40	80142	WASHER,FLAT,USS,.375	6
50	80162	WASHER,LOCK,.375	6
60	80038	NUT,HEX,.375-16	4
2	987507	ROLLBAR,COMPLETE	1
70	987507-01	TUBE,ROPS	1
80	987507-02	BRACKET,FRAME,VERTICAL	2
90	987507-03	BRACKET,FRAME,HORIZONTAL	2

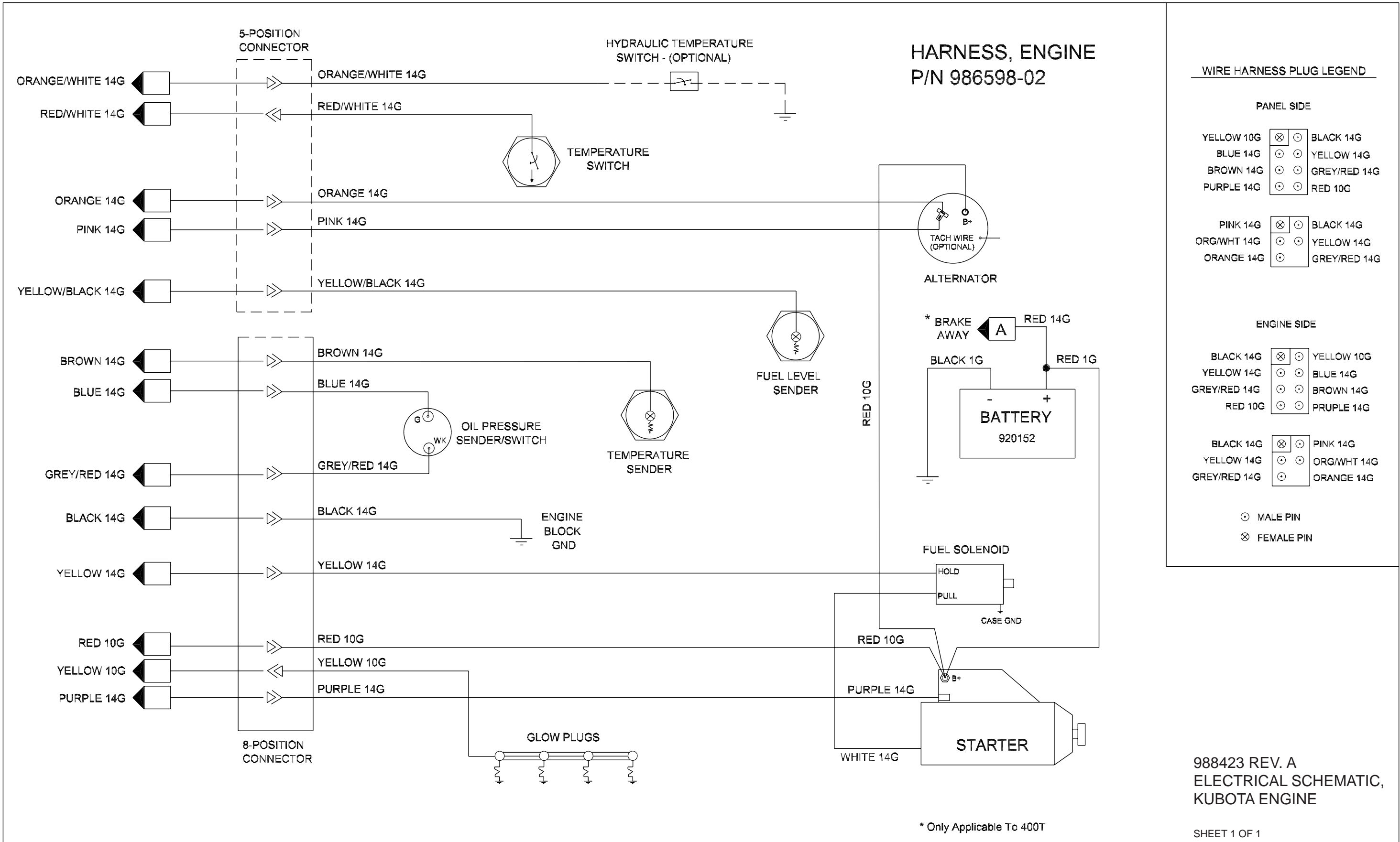
- ITEM NOT ILLUSTRATED

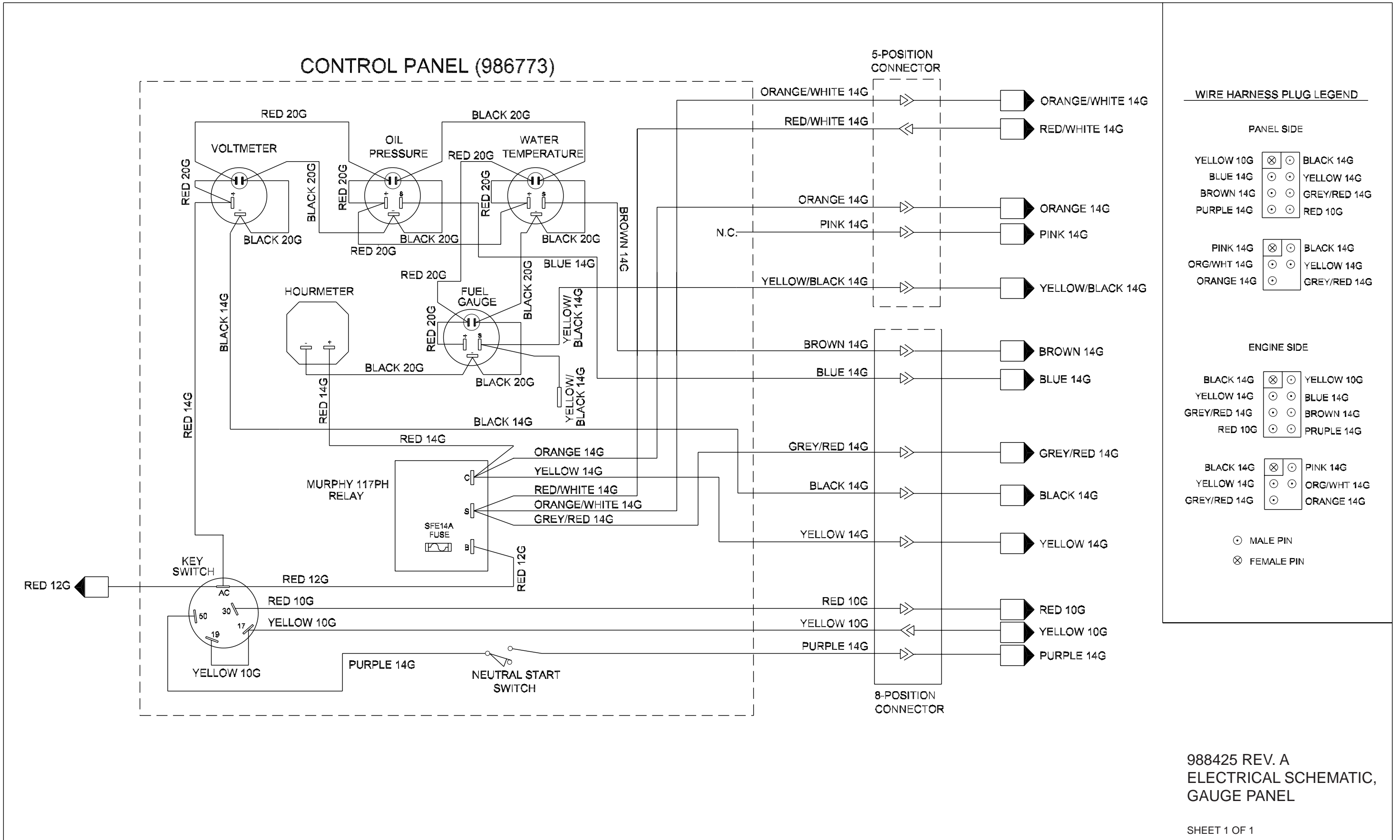
**THIS PAGE
INTENTIONALLY
LEFT BLANK**



988426 REV. A
ELECTRICAL SCHEMATIC
400/400T ROLLER

SHEET 1 OF 1





WIRE HARNESS PLUG LEGEND

PANEL SIDE

YELLOW 10G	⊗	⊙	BLACK 14G
BLUE 14G	⊙	⊙	YELLOW 14G
BROWN 14G	⊙	⊙	GREY/RED 14G
PURPLE 14G	⊙	⊙	RED 10G

PINK 14G	⊗	⊙	BLACK 14G
ORG/WHT 14G	⊙	⊙	YELLOW 14G
ORANGE 14G	⊙	⊙	GREY/RED 14G

ENGINE SIDE

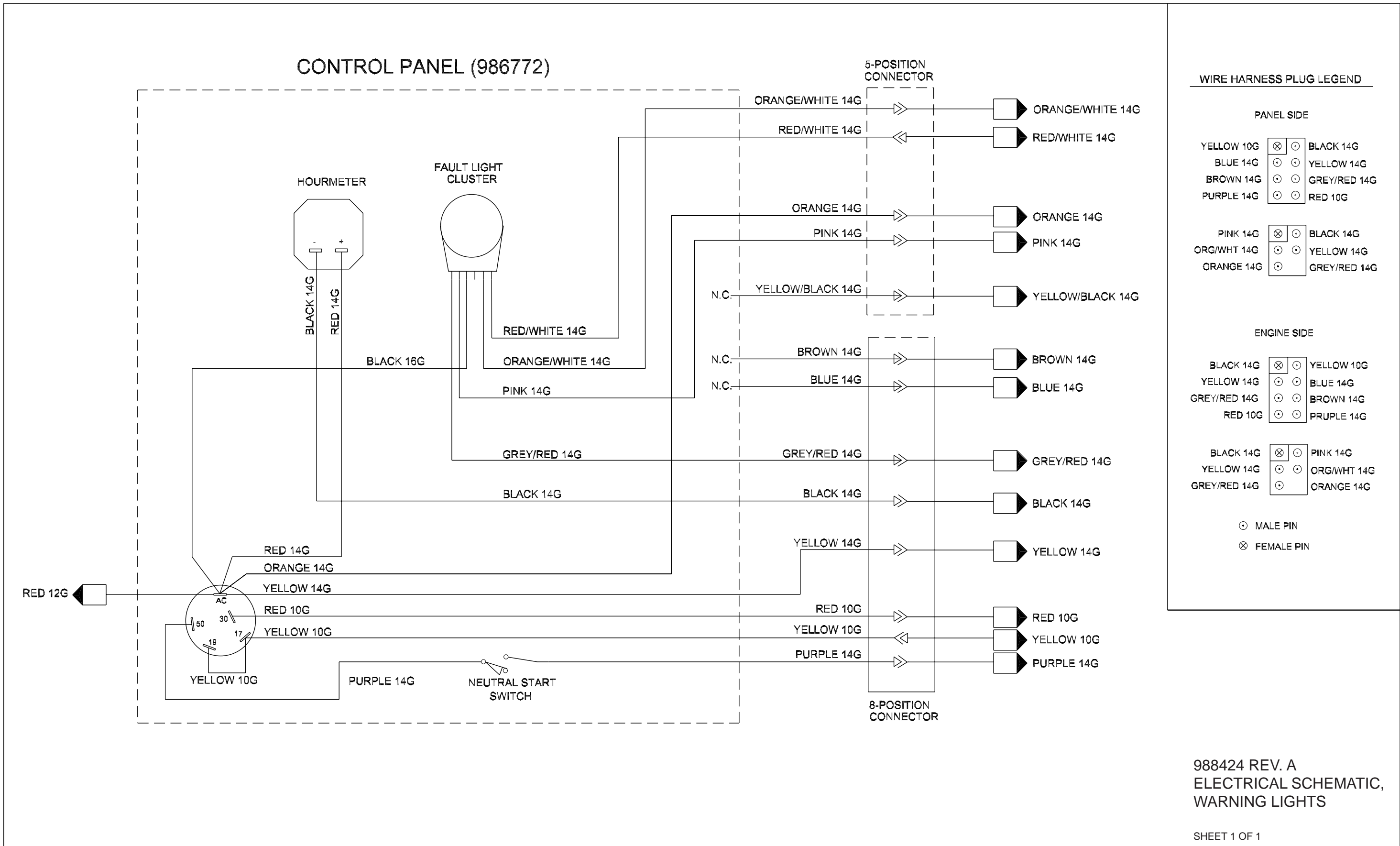
BLACK 14G	⊗	⊙	YELLOW 10G
YELLOW 14G	⊙	⊙	BLUE 14G
GREY/RED 14G	⊙	⊙	BROWN 14G
RED 10G	⊙	⊙	PURPLE 14G

BLACK 14G	⊗	⊙	PINK 14G
YELLOW 14G	⊙	⊙	ORG/WHT 14G
GREY/RED 14G	⊙	⊙	ORANGE 14G

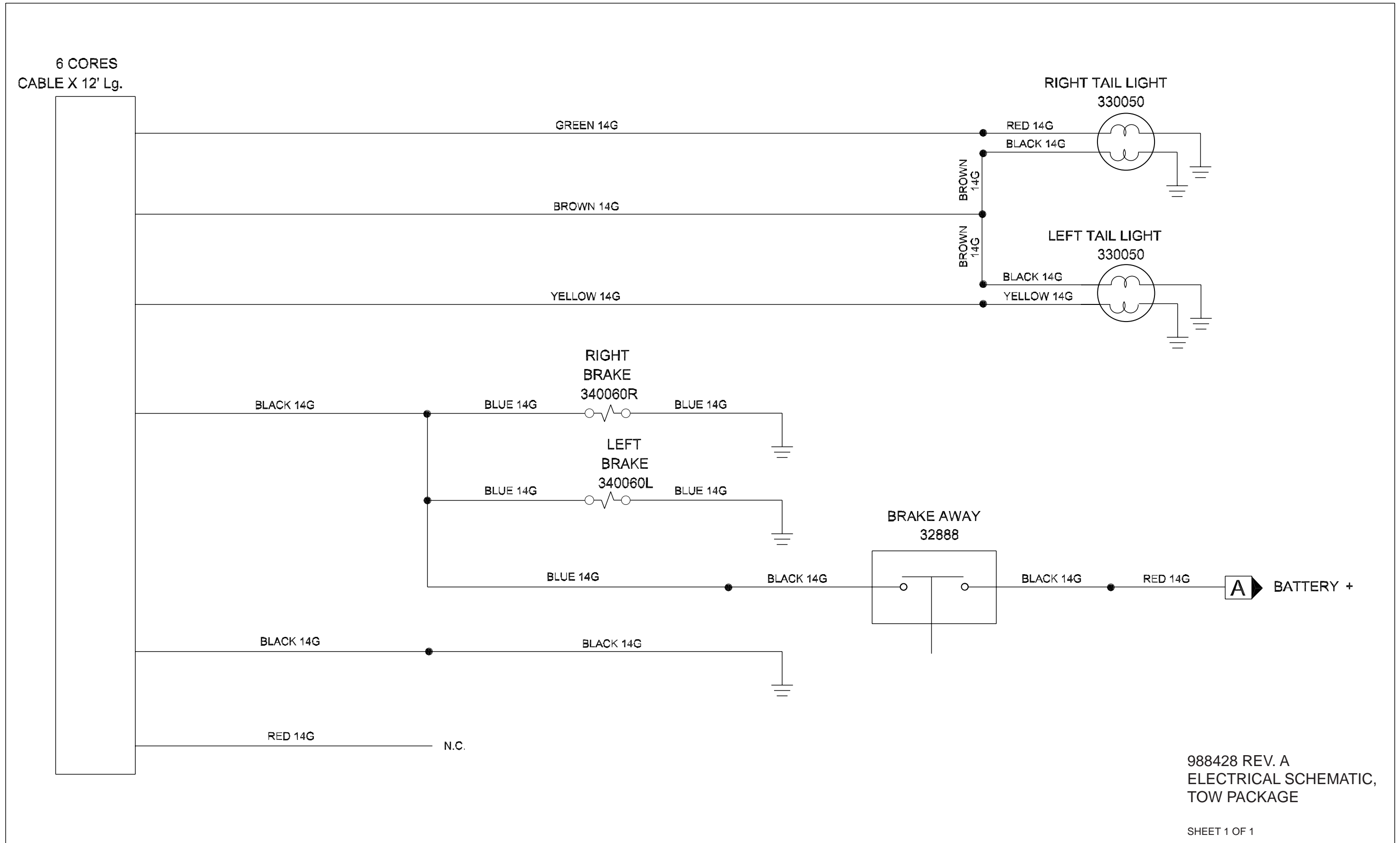
- ⊙ MALE PIN
- ⊗ FEMALE PIN

988425 REV. A
ELECTRICAL SCHEMATIC,
GAUGE PANEL

SHEET 1 OF 1



988424 REV. A
ELECTRICAL SCHEMATIC,
WARNING LIGHTS



988428 REV. A
ELECTRICAL SCHEMATIC,
TOW PACKAGE

SHEET 1 OF 1

