

NOTES

1.	
----	--

**LeeBoy**  
 VT LEEBOY, INC.  
 500 LINCOLN COUNTY  
 PARKWAY EXT  
 LINCOLNTON, NC 28092

UNLESS OTHERWISE SPECIFIED  
 DIMENSIONS ARE IN INCHES  
 AND APPLY TO FINISHED PART  
 ROUGH CUTS MUST INCLUDE  
 APPROPRIATE FACING ALLOWANCE  
 FOR MACHINED PARTS

TOLERANCES ARE:  
 DECIMALS: QUINDECIMAL ±1/2  
 XX ± .03 ± 1/16  
 XXX ± .015 SURFACE FINISH: 320

FRACTIONAL ANGLES  
 ±1/2

SCALE: 1:4

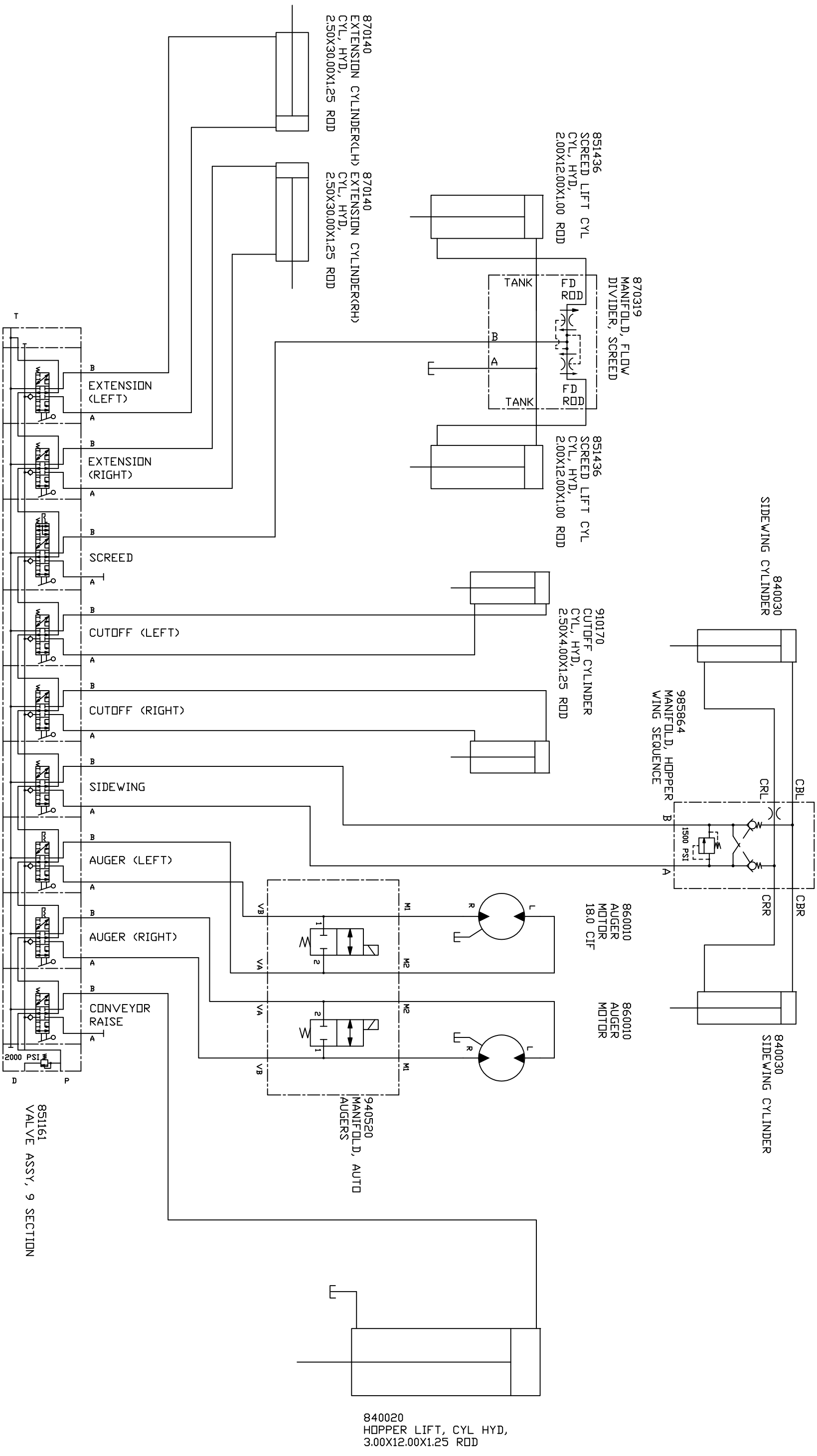
REV.	BY	DATE	APPROVALS	DATE	EON	DESCRIPTION
MANFRED NG		06/06/2007				SCHEMATIC, HYD HOSE, PAVER (7000)
CHECKED	DT	8/1/2007				

INFORMATION CONTAINED ON THIS DRAWING IS THE  
 SOLE PROPERTY OF VT LEEBOY, INC. ANY  
 REPRODUCTION IN PART OR WHOLE WITHOUT THE  
 WRITTEN PERMISSION OF VT LEEBOY, INC. IS PROHIBITED.

PART NO. **988612**

PART WT. LBS

SHEET 1 OF 2



NOTES

1.



UNLESS OTHERWISE SPECIFIED  
DIMENSIONS ARE IN INCHES  
AND APPLY TO FINISHED PART  
ROUGH CUTS MUST INCLUDE  
APPROPRIATE FACING ALLOWANCE  
FOR MACHINED PARTS

TOLERANCES ARE:  
DECIMALS FRACTIONAL ANGLES  
XX ± .03 ± 1/16 ± 1/2  
XXX ± .015 SURFACE FINISH 320

SCALE 1:4

REV.	BY	DATE	EON	DATE
MANFRED NG		06/06/2007		
CHECKED	DT	7/1/2007		

DESCRIPTION:	
SCHEMATIC, HYD HOSE, PAVER (7000)	
PART NO.	988612
PART WT. LBS	
REVISION:	A