



Section 5 ASSEMBLY TRANSMISSION

TABLE OF CONTENTS

PAGE

FIGURE 1. ASSY-TRANSMISSION FOR LEE BOY	5-2
FIGURE 2. HOUSING GROUP	5-4
FIGURE 3. TRANSMISSION CASE AND REAR COVER GROUP	5-6
FIGURE 4. TURBINE SHAFT, STATOR SUPPORT & OIL BAFFLE GROUP W/LOCK-UP ...	5-8
FIGURE 5. TE10/24000 DRIVER PLATE GROUP	5-10
FIGURE 6. TORQUE CONVERTER ASSEMBLY W/LOCK-UP, LESS FREEWHEEL	5-12
FIGURE 7. GROUP - GEAR	5-14
FIGURE 8. AUXILIARY PUMP DRIVE GROUP	5-16
FIGURE 9. CHANGING PUMP DRIVE GROUP	5-18
FIGURE 10. FORWARD SHAFT GROUP W/LOCK-UP	5-20
FIGURE 11. REVERSE IDLER GROUP	5-22
FIGURE 12. REVERSE & 2ND SHAFT GROUP	5-24
FIGURE 13. LOW SHAFT GROUP	5-26
FIGURE 14. FORWARD - HI & 3RD SHAFT CLUTCH GROUP	5-28
FIGURE 15. IDLER SHAFT GROUP	5-30
FIGURE 16. OUTPUT SHAFT GROUP	5-32
FIGURE 17. TE10 CHARGING PUMP & FILTER ASSY GROUP	5-34
FIGURE 18. T20000 ELECTRIC CONTROL VALVE MOUNTING GROUP	5-36
FIGURE 19. 34000 LOCK-UP MODULATOR VALVE ASSEMBLY	5-38
FIGURE 20. ELECTRIC CAB CONTROL SINGLE LEVER	5-40
FIGURE 21. T20000 ELECTRONIC CONTROL VALVE ASSEMBLY	5-42
FIGURE 22. T20000 MODULATOR VALVE ASSEMBLY	5-46
FIGURE 23. 36000 LOCK-UP MODULATOR VALVE ASSEMBLY	5-48
ENGINEERING PARTS LIST	
CONVERTER SECTION SEALING KIT HR24000 AND LMHR24000	5-50
TRANSM. SECT SEALING KIT HR24000 LD 3; 4; 6 SPEED	5-51

Section 5 ASSEMBLY TRANSMISSION



MODEL NO. 12,2 LHR24651-1
 PART NO. 4262269
 DATE 03 FEB 2004

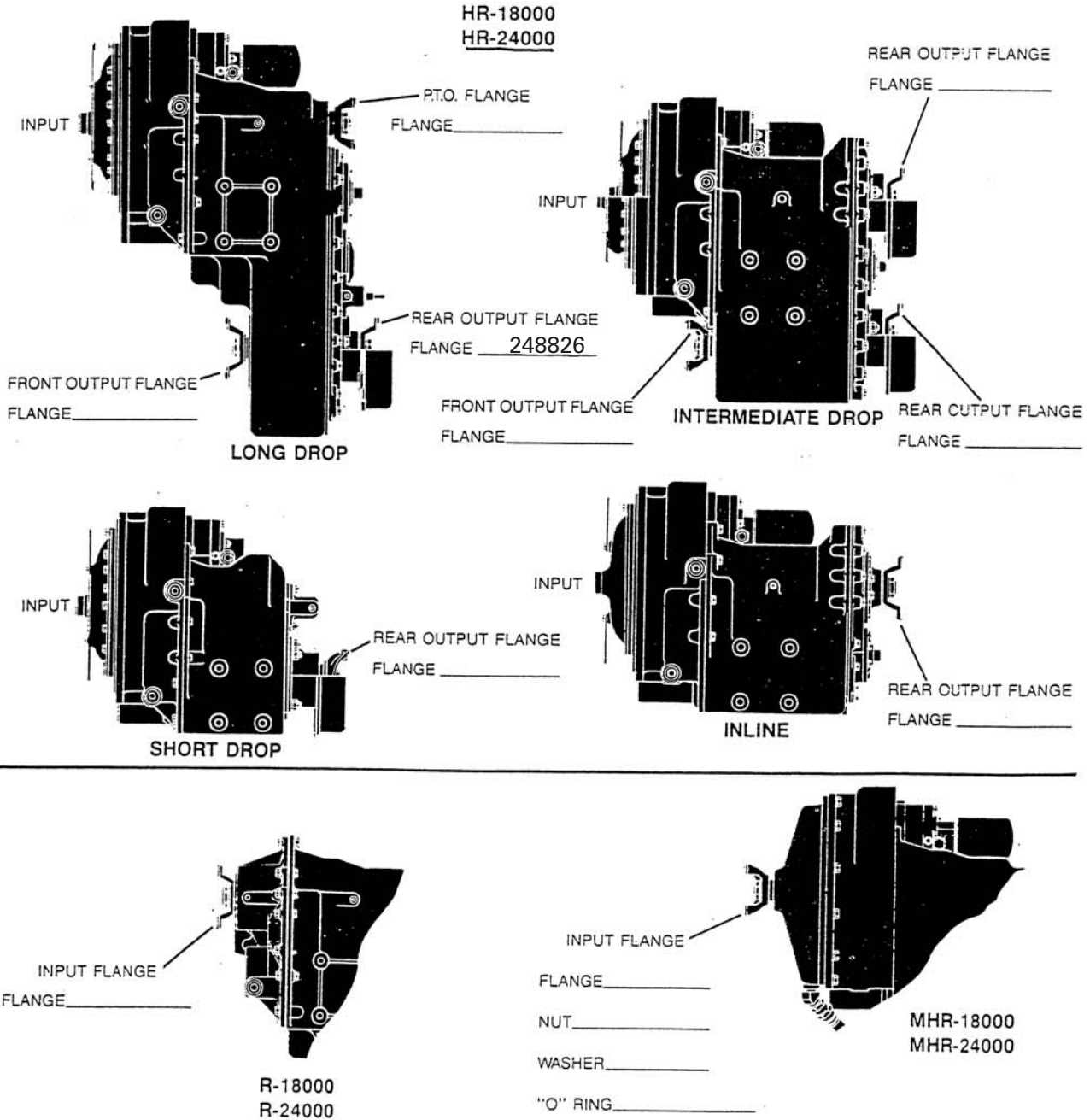


FIGURE 1. ASSY-TRANSMISSION FOR LEE BOY



Section 5 ASSEMBLY TRANSMISSION

FIGURE 1. ASSY-TRANSMISSION FOR LEE BOY

FIG ITEM	PART NUMBER.	NOMENCLATURE 123456	UNITS PER ASSY
	246826	FLANGE-OUTPUT 1480/1550 FRONT	1

Section 5 ASSEMBLY TRANSMISSION

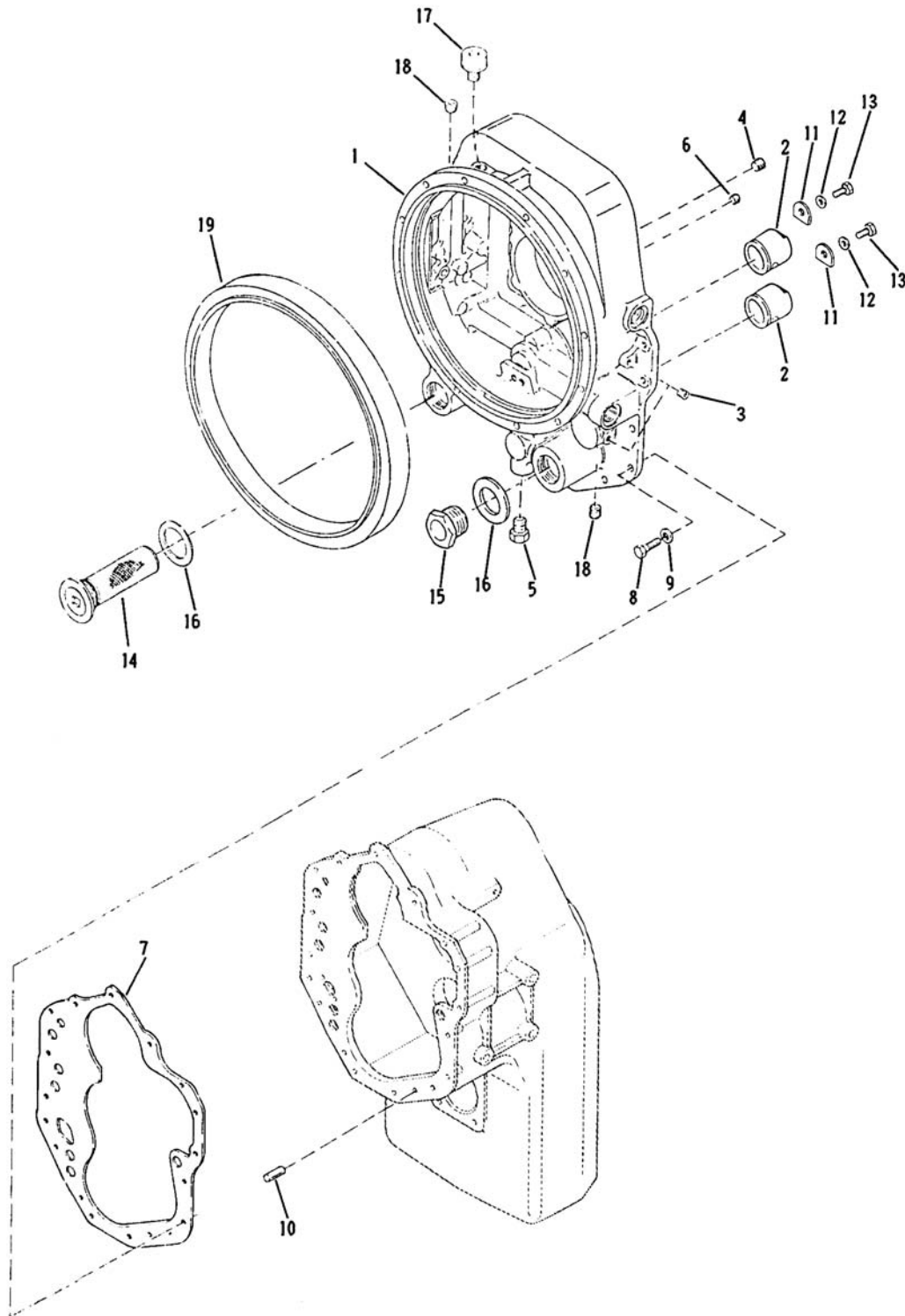


FIGURE 2. 24000 HOUSING GROUP

Section 5 ASSEMBLY TRANSMISSION

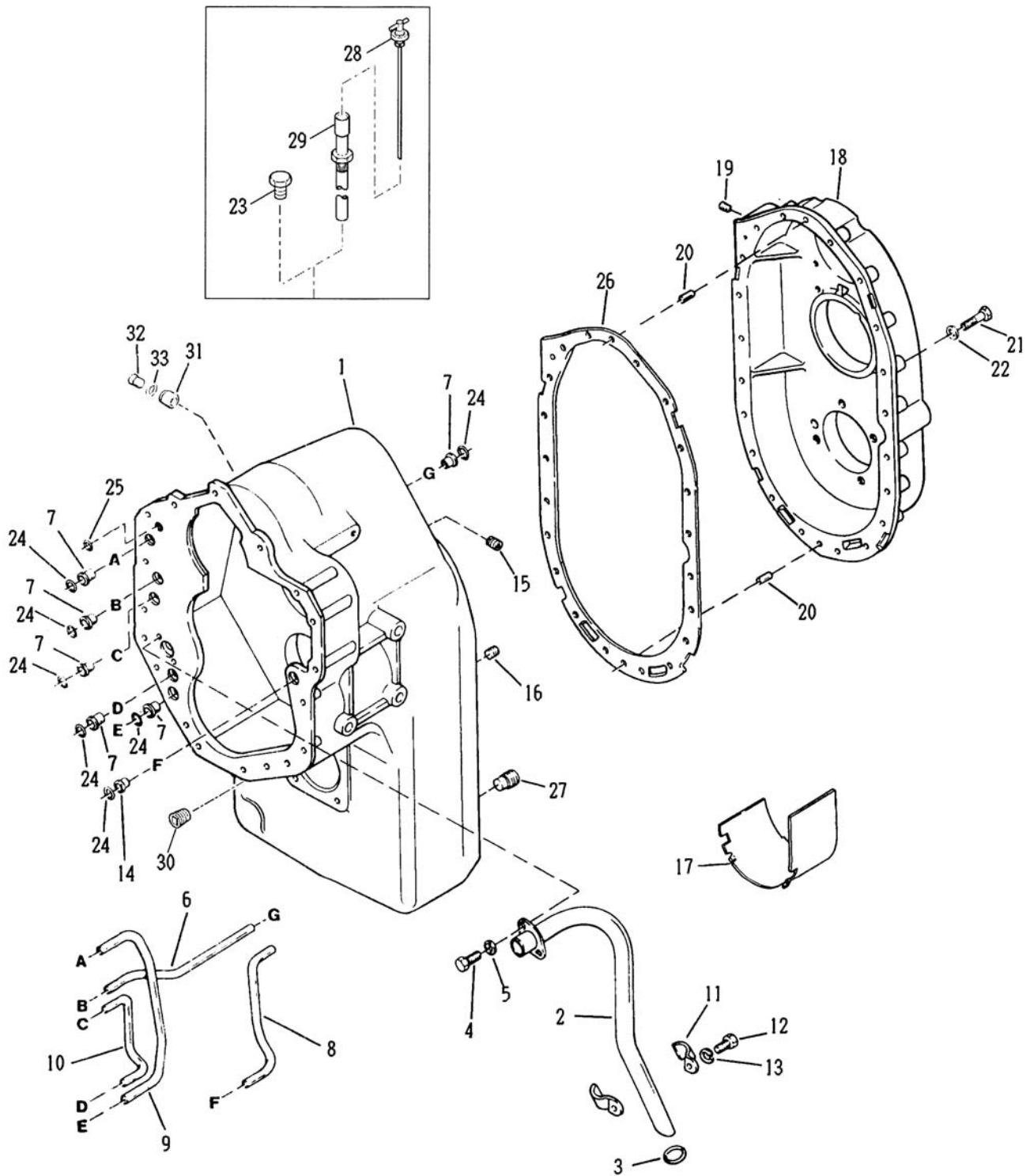


FIGURE 3. 24000 TRANSMISSION CARE AND REAR COVER GROUP

FIGURE 3. 24000 TRANSMISSION CASE AND REAR COVER GROUP

FIG ITEM	PART NUMBER.	NOMENCLATURE 123456	UNITS PER ASSY
1	4203669	ASSY-TRANSM.CASE & TUBE-INCL.ITEMS 2 THRU 14	2
2	242667	ASSY-SUCTION TUBE -PART OF ITEM 1	1
3	60K40104	O RING - PART OF ITEM 1	1
4	1C510	CAPSCREW - PART OF ITEM 1	2
5	4E5	LOCKWASHER - PART OF ITEM 1	2
6	242639	TUBE-LOW SPEED CLUTCH PRESSURE-PART OF ITEM 1	1
7	222067	SLEEVE-PRESS & LUBR.TUBE - PART OF ITEM 1	4
8	245163	TUBE LUBE - PART OF ITEM 1	1
9	241319	TUBE-3RD CLUTCH - PART OF ITEM 1	1
10	241318	TUBE-HIGH CLUTCH - PART OF ITEM 1	1
11	242670	CLIP-SUCTION TUBE - PART OF ITEM 1	2
12	1C612	CAPSCREW - PART OF ITEM 1	1
13	4E6	LOCKWASHER - PART OF ITEM 1	1
14	221871	TUBE SLEEVE - PART OF ITEM 1	1
15	16F4	PLUG-PIPE	1
16	16F6	PLUG-PIPE	1
17	248613	BAFFLE-OIL	1
18	244385	ASSY-REAR COVER & PLUG- INCL. ITEM 19	1
19	239244	PLUG - PART OF ITEM 18	1
20	214295	PIN-TRANSMISSION CASE TO REAR COVER DOWEL	2
21	17C740	SCREW-REAR COVER TO CASE	20
22	4E7	LOCKWASHER-REAR COVER TO CASE SCREW	20
23		Not Used On This Model	
24	60K40026	"O" RING-CLUTCH PRESSURE TUBE	7
25	60K30018	"O" RING-CLUTCH PRESSURE	1
26	236646	B GASKET-REAR COVER TO TRANSMISSION CASE	1
27	215757	PLUG-MAGNETIC DRAIN	2
28	242603	DIPSTICK	1
29	236669	ASSEMBLY-DIPSTICK TUBE	1
30	11F16	PLUG-DRAIN BACK HOLE	1
31	248166	BUSHING-SPEED SENSOR	1
31A	248167	B SHIM-WASHER	
32	1KM18	PLUG-SPEED SENSOR PORT	1
33	60K30020	B "O" RING-SPEED SENSOR PORT	1
	40K4	PLUG-PIPE LOCKUP PORT	1

Section 5 ASSEMBLY TRANSMISSION

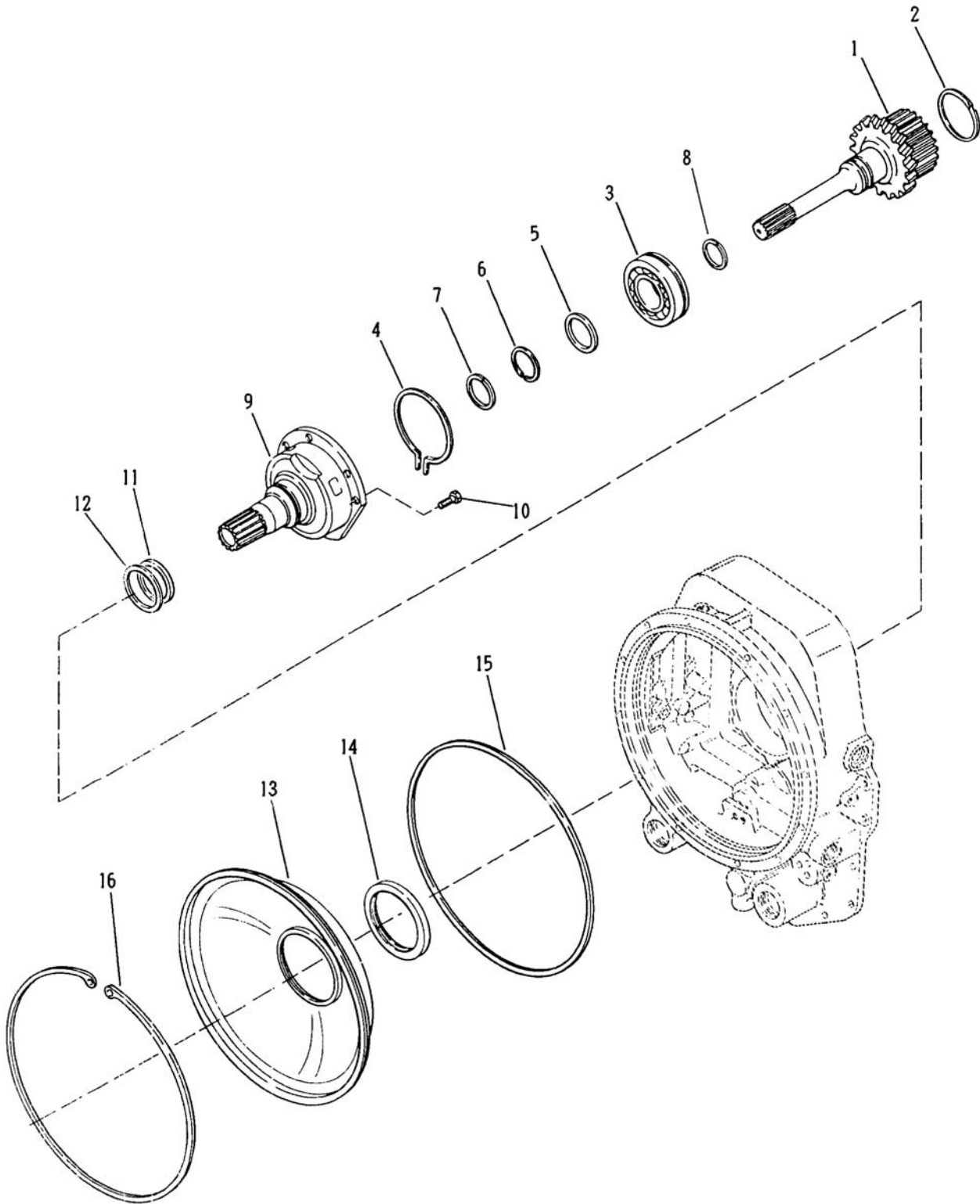


FIGURE 4.24000 TURBINE SHAFT, STATOR SUPPORT & OIL BAFFLE GROUP W/LOCK-UP

Section 5 ASSEMBLY TRANSMISSION

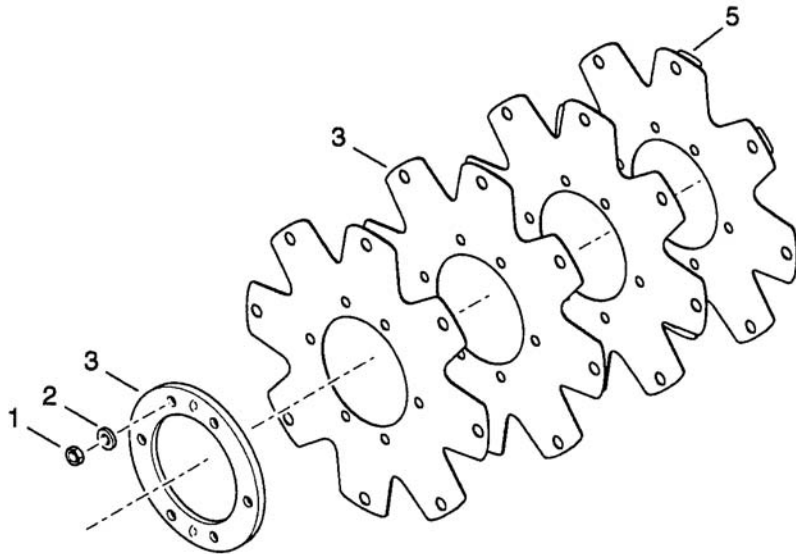


FIGURE 5. TE10/24000 DRIVER PLATE GROUP

Section 5 ASSEMBLY TRANSMISSION

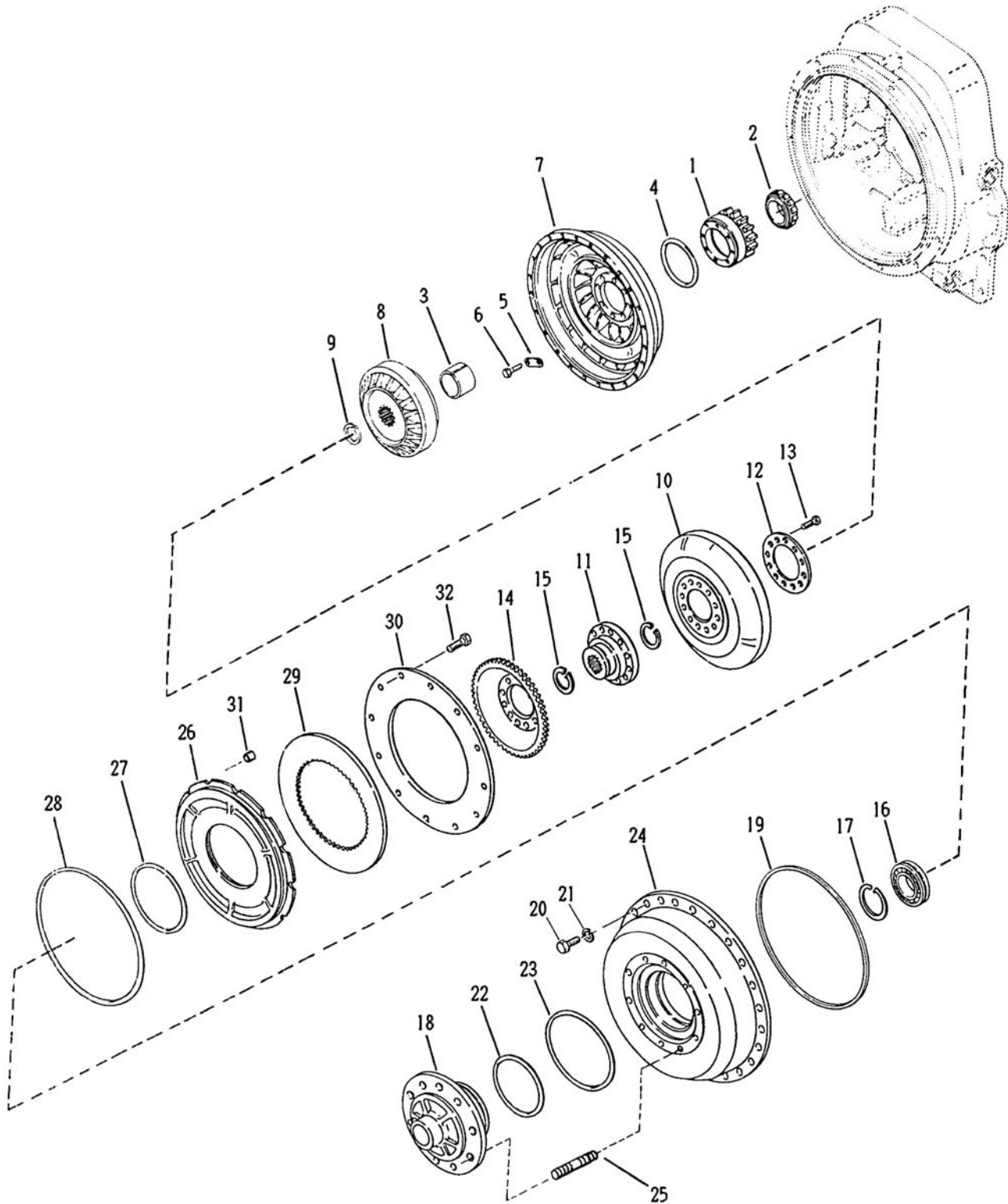


FIGURE 6. 24000 TORQUE CONVERTER ASSEMBLY W/LOCK-UP, LESS FREEWHEEL

FIGURE 6. 24000 TORQUE CONVERTER ASSEMBLY W/LOCK-UP, LESS FREEWHEEL

FIG ITEM	PART NUMBER.	NOMENCLATURE 123456	UNITS PER ASSY
1	242996	GEAR-IMPELLER HUB 36T-10P	1
2	242997	BEARING-IMPELLER HUB BEAR RN2010ECM	1
3	246105	SPACER-IMPELLER HUB BEARING	1
4	234973	"0" RING-IMPELLER HUB	1
5	234210	TAB-IMPELLER TO HUB SCREW LOCK	4
6	242046	SCREW-IMPELLER TO HUB	8
7	234238	IMPELLER	1
8	242846	MEMBER-REACTION 15 BLADES	1
9	243260	RING-REACTION MEMBER RETAINING	1
10	242850	TURBINE 18 BLADES	1
11	245146	HUB-TURBINE	1
12	242851	RING-TURBINE TO HUB SCREW	1
13	242892	SCREW-TURBINE TO HUB	12
14	242782	GEAR-DRIVE	1
15	1902877	RING-TURBINE RETAINING 5160-137 653517	2
16	242828	BEARING-TURBINE HUB 211SG L.I.F.	1
17	244409	SNAP RING-TURBINE HUB BEARING	1
18	242779	COVER-IMPELLER	1
19	232535	"0" RING-IMPELLER TO DRIVE DISC	1
20	1C618	SCREW-IMPELLER TO COVER	24
21	4E6	LOCKWASHER-IMPELLER TO COVER	24
22	60K40400	"0" RING-IMPELLER COVER TO DRIVE DISC BORE	1
23	60K40520	"0" RING-IMPELLER COVER TO DRIVE DISC FACE	1
24	246005	ASSY-DRIVE DISC AND STUD-INCL.ITEM 25	1
25	245533	STUD - PART OF ITEM 24	10
26	247160	PISTON-CLUTCH	1
27	60K40428	O RING	1
28	60K40908	O RING	1
29	232432	PLATE-DRIVE CLUTCH	1
30	234026	PLATE-END	1
31	242864	SLEEVE-DRIVE	12
32	8C618	SCREW-CAP	12

Section 5 ASSEMBLY TRANSMISSION

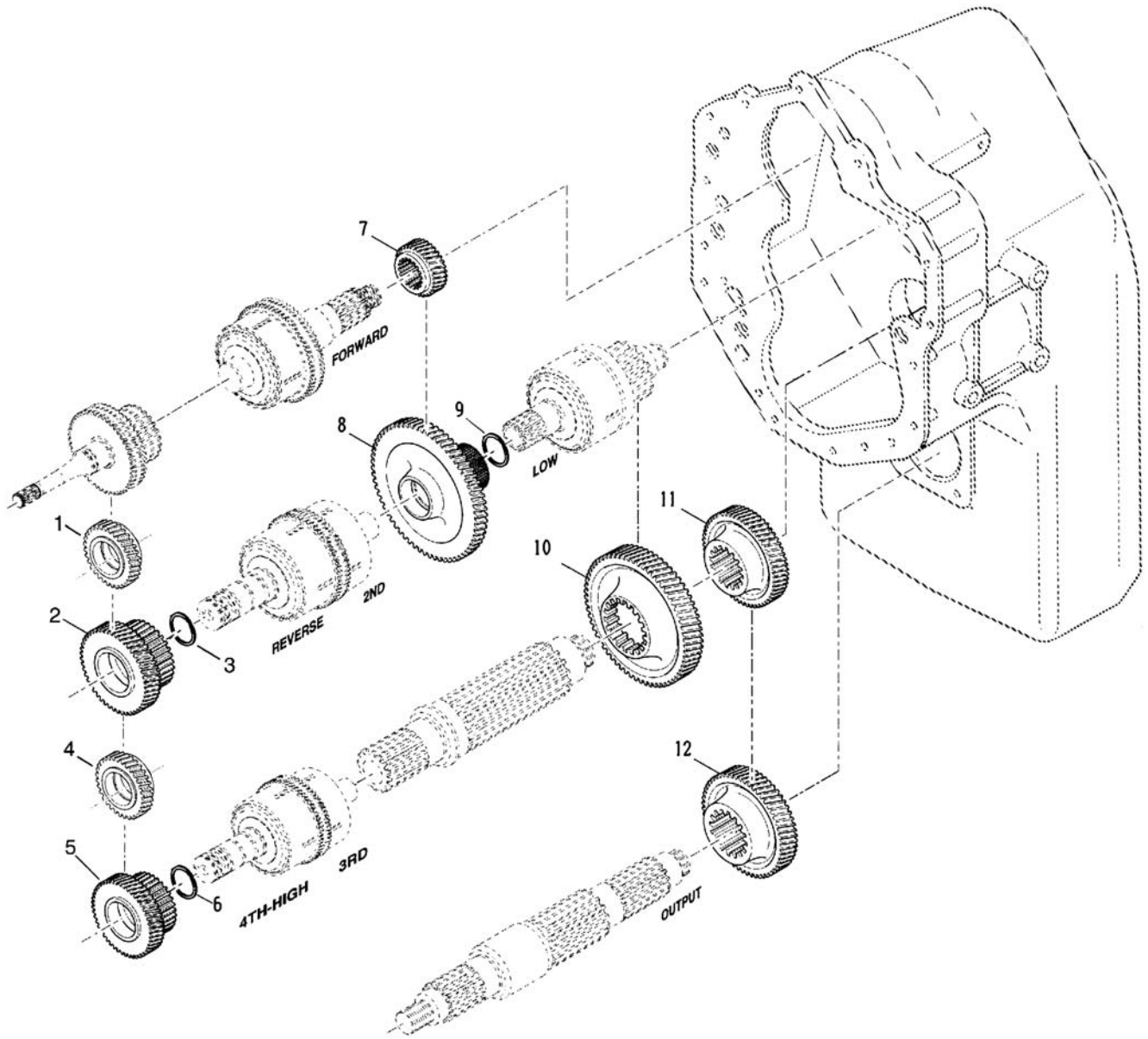


FIGURE 7. 24000 GROUP - GEAR

Section 5 ASSEMBLY TRANSMISSION

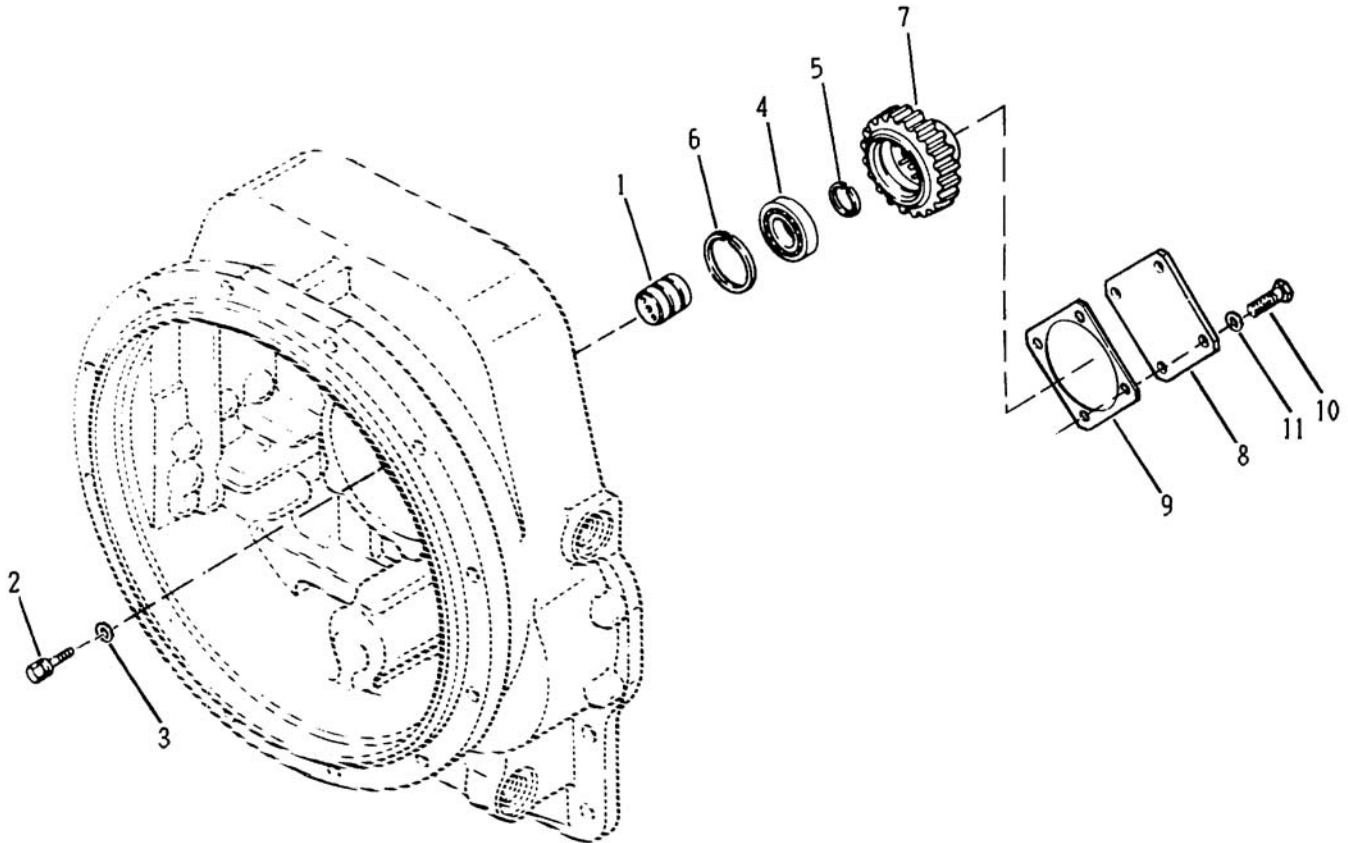


FIGURE 8. 24000 AUXILIARY PUMP DRIVE GROUP

Section 5 ASSEMBLY TRANSMISSION

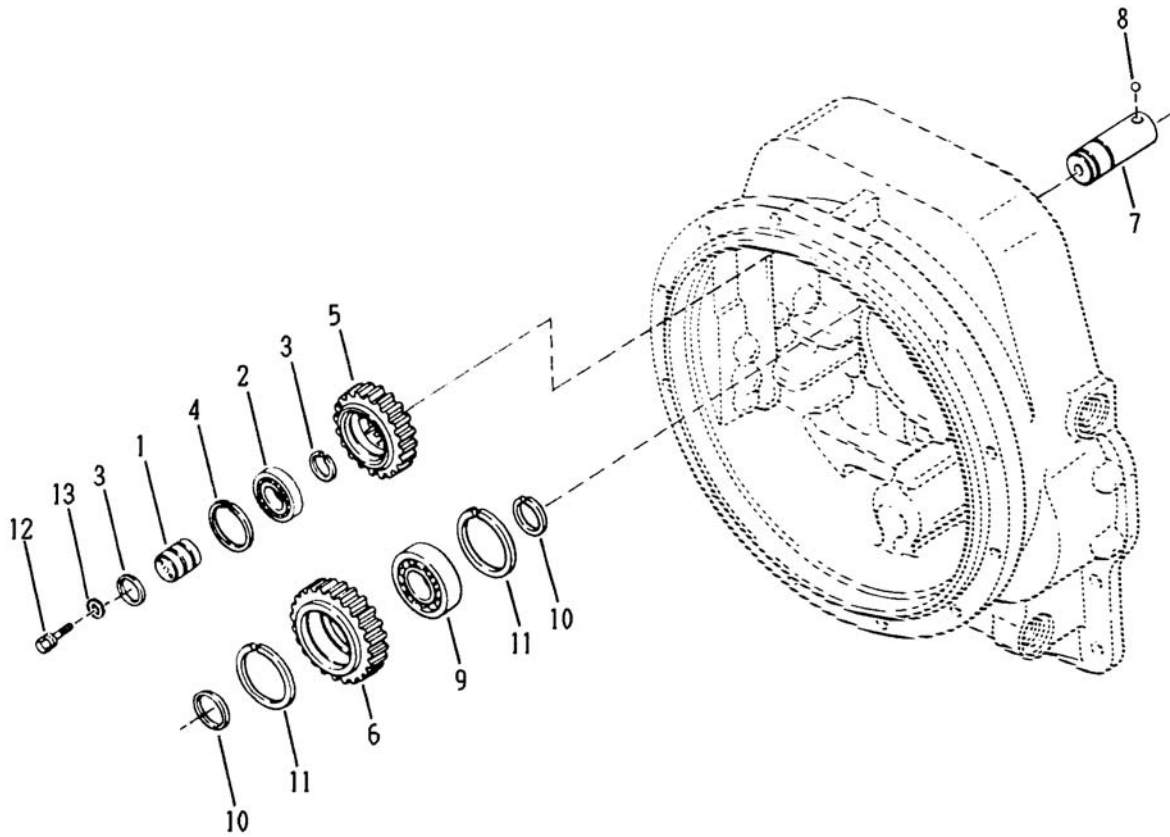


FIGURE 9. 24000 CHANGING PUMP DRIVE GROUP



Section 5 ASSEMBLY TRANSMISSION

FIGURE 9. 24000 CHANGING PUMP DRIVE GROUP

FIG ITEM	PART NUMBER.	NOMENCLATURE 123456	UNITS PER ASSY
1	234327	SUPPORT-PUMP DRIVE BEARING	1
2	247584	BEARING-PUMP DRIVE GEAR 107KS	1
3	234908	RING-DRIVE GEAR BEARING LOCATING	2
4	223922	RING-DRIVE GEAR BEARING RETAINING	1
5	238212	GEAR-PUMP DRIVE 36T-10P	1
6	238211	GEAR-PUMP DRIVE IDLER 40T-10P	1
7	238215	SHAFT-IDLER GEAR STUB	1
8	1OJ8	BALL-IDLER SHAFT LOCK	1
9	238223	BEARING-IDLER GEAR STUB SHAFT 307M	1
10	234908	RING-IDLER GEAR BEARING LOCATING	2
11	223964	RING-IDLER GEAR BEARING RET.	2
12	1C620	SCREW-BEARING SUPPORT	2
13	4E6	LOCKWASHER-BEARING SUPPORT	2

Section 5 ASSEMBLY TRANSMISSION

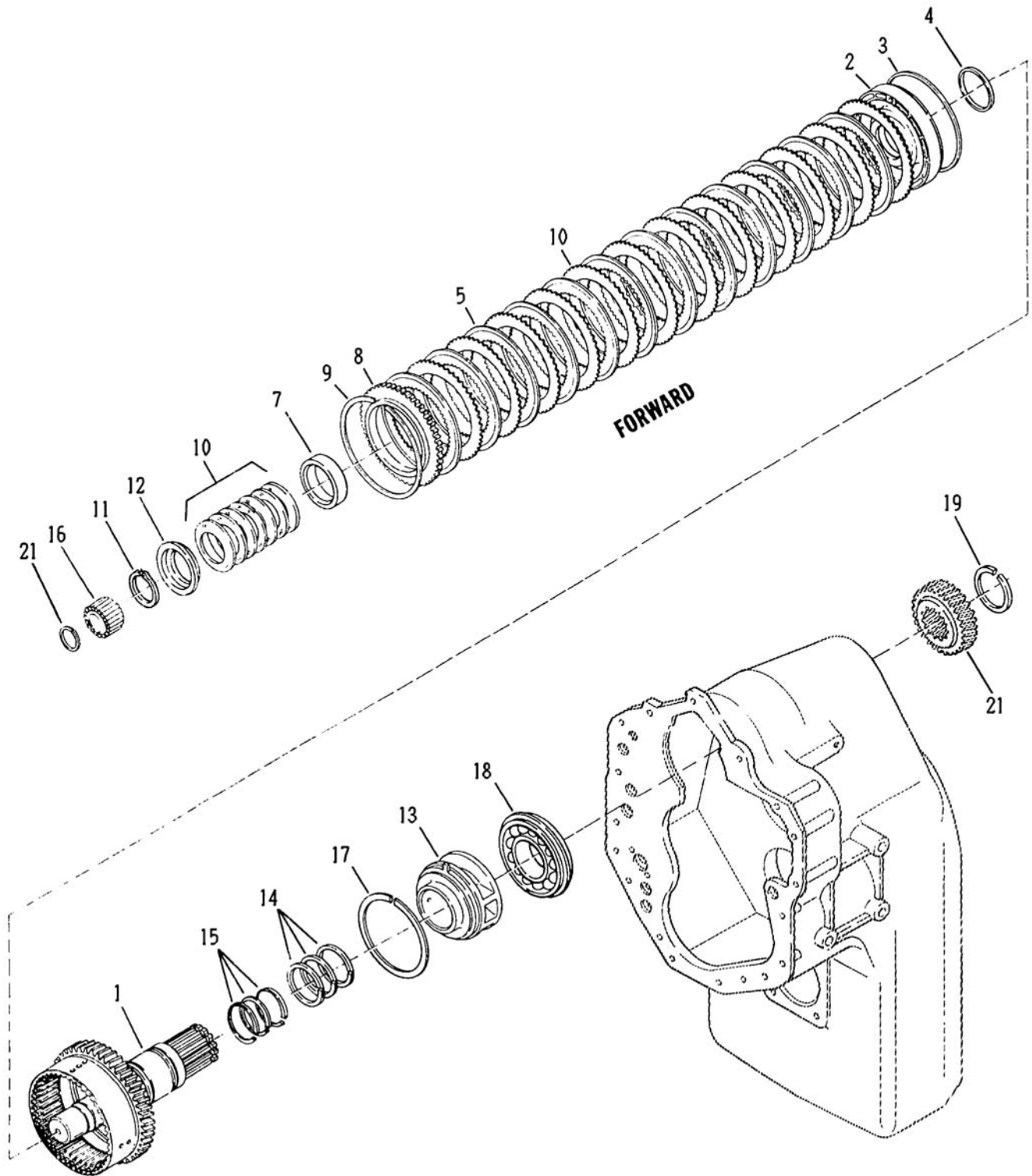


FIGURE 10. 24000 FORWARD SHAFT GROUP W/LOCK-UP



Section 5 ASSEMBLY TRANSMISSION

FIGURE 10. 24000 FORWARD SHAFT GROUP W/LOCK-UP

FIG ITEM	PART NUMBER.	NOMENCLATURE 123456	UNITS PER ASSY
1	242824	ASSEMBLY-FORWARD SHAFT, DRUM & PLUG	1
2	4207357	ASSY-CLUTCH PISTON AND SEALS-INCL.ITEMS 3 &	1
3	237032	SEAL-CLUTCH PISTON - OUTER - PART OF ITEM 2	1
4	234113	SEAL-CLUTCH PISTON - INNER - PART OF ITEM 2	1
5	237016	DISC-CLUTCH INNER	12
6	234109	DISC-CLUTCH OUTER	12
7	237442	SPACER-PISTON RETURN SPRING	1
8	242650	PLATE-CLUTCH DISC BACKING	1
9	234111	SNAP RING-BACKING PLATE	1
10	247657	ASSY-DISC SPRING - INCL. 7 WASHERS	1
11	234350	SNAP RING-SPRING RETAINER	1
12	241313	RETAINER-SPRING	1
13	241037	SLEEVE-PISTON RING	1
14	242651	RING-FORWARD SHAFT PISTON	4
15	237378	SPRING-FORWARD SHAFT PISTON RING EXPANDER	4
16	235763	BEARING-FORWARD SHAFT PILOT WJ283412	1
17	235764	RING-PISTON RING SLEEVE RETAINER	1
18	241819	BEARING-FORWARD SHAFT REAR 213SG	1
19	238034	RING-GEAR RETAINING	1
20	209781	RING-PISTON	1
21		FORWARD SHAFT GEAR - SEE GEAR GROUP	

Section 5 ASSEMBLY TRANSMISSION

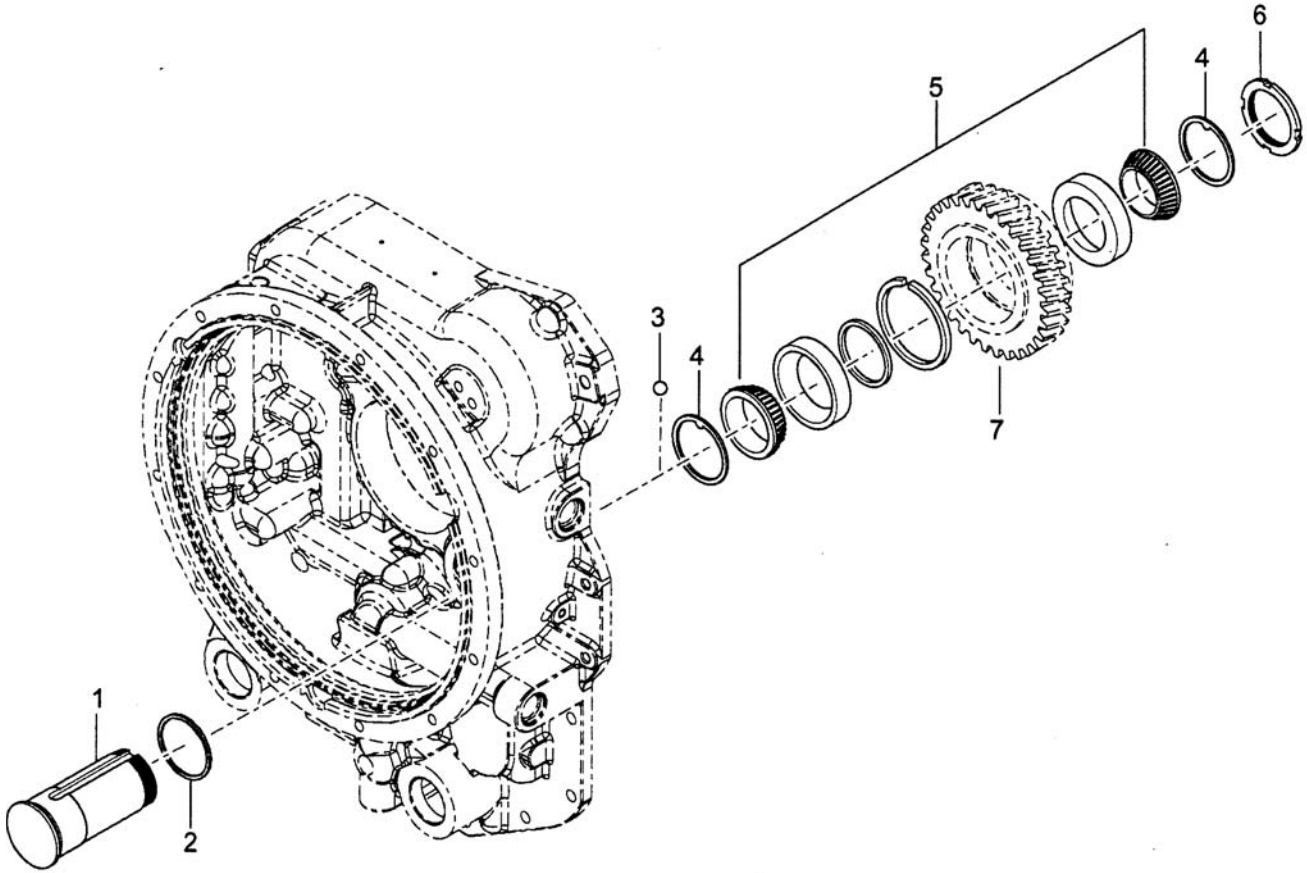


FIGURE 11. TE10/24000 REVERSE IDLER GROUP

Section 5 ASSEMBLY TRANSMISSION

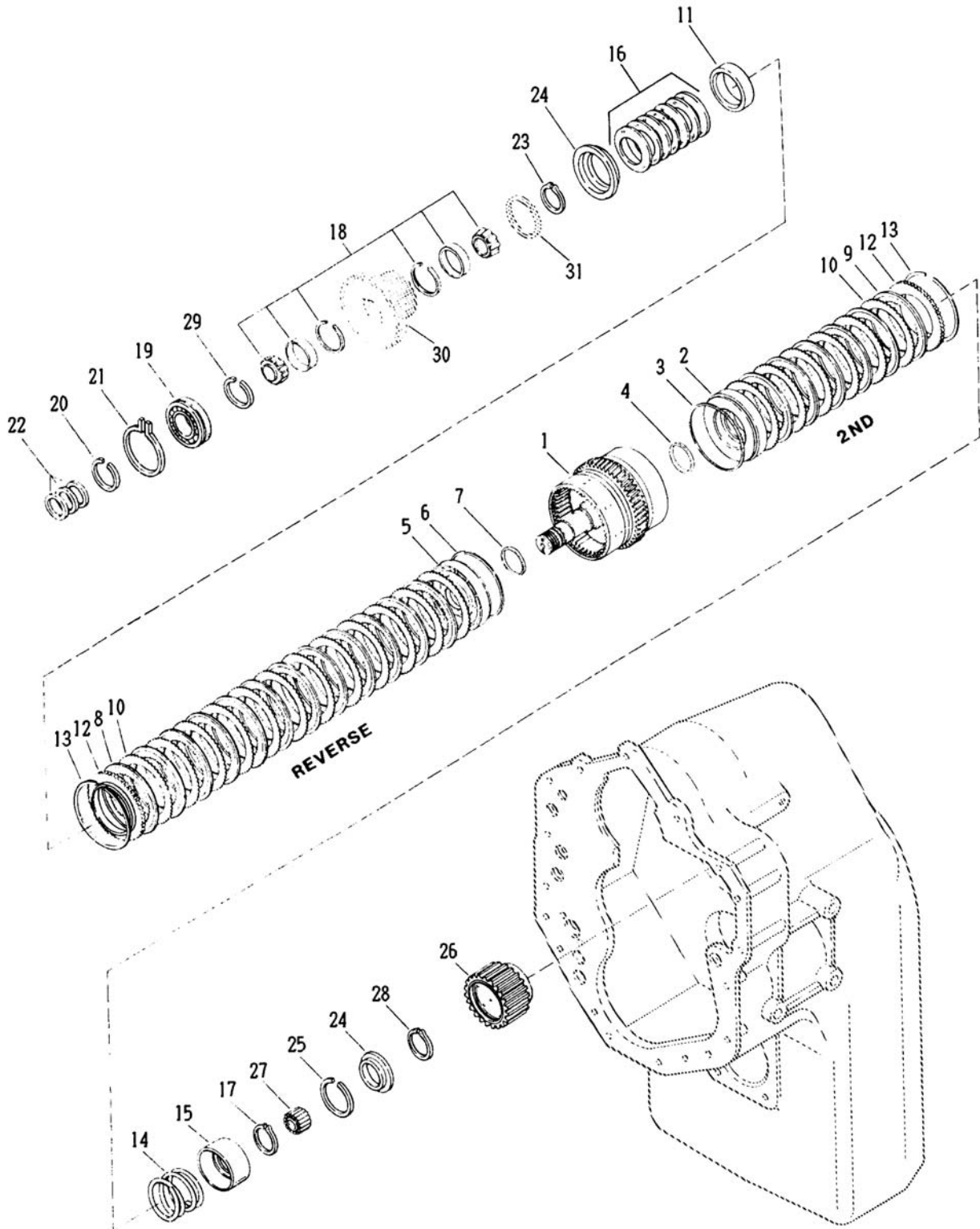


FIGURE 12. 24000 REVERSE & 2ND SHAFT GROUP



Section 5 ASSEMBLY TRANSMISSION

FIGURE 12. 24000 REVERSE & 2ND SHAFT GROUP

FIG ITEM	PART NUMBER.	NOMENCLATURE 123456	UNITS PER ASSY
1	246235	ASSY-REV & 2ND SHAFT, DRUM & PLUG	1
2	4207175	ASSY-CL PISTON,BALL,SEAT&SEALS-INCL.ITEMS 3&4	1
3	237032	SEAL-CLUTCH PISTON - OUTER - PART OF ITEM 2	1
4	234113	SEAL-CLUTCH PISTON - INNER - PART OF ITEM 2	1
5	4207357	ASSY-CLUTCH PISTON AND SEALS-INCL.ITEMS 6 & 7	1
6	237032	SEAL-CLUTCH PISTON - OUTER - PART OF ITEM 5	1
7	234113	SEAL-CLUTCH PISTON - INNER - PART OF ITEM 5	1
8	237016	DISC-CLUTCH INNER	12
9	237016	DISC-CLUTCH INNER	6
10	234109	DISC-CLUTCH OUTER	18
11	237442	SPACER-PISTON RETURN SPRING	1
12	242650	PLATE-CLUTCH DISC BACKING	2
13	234111	SNAP RING-BACKING PLATE	2
14	235960	SPRING-PISTON RETURN	1
15	235959	RETAINER-SPRING	1
16	247657	ASSY-DISC SPRING - INCL. 7 WASHERS	1
17	234350	SNAP RING-SPRING RETAINER	1
18	241278	ASSY-CLUTCH DRIVEN GEAR BEARING	1
19	241606	BEARING-REVERSE & 2ND SHAFT FRONT	1
20	246238	SNAP RING-FRT BRG NEXT TO PISTON RING GROOVE	1
21	230889	SNAP RING-FRONT BEARING	1
22	4208098	PISTON-RING	3
23	234350	SNAP RING-SPRING RETAINER	1
24	241313	RETAINER	2
25	241603	SNAP RING-RETAINER	1
26	4203200	HUB-2ND CLUTCH	1
27	233065	BEARING-REVERSE & 2ND SHAFT REAR	1
28	234350	SNAP RING-2ND CLUTCH DISC HUB	1
29	000802152000C	KIT-RET-RING	1
30		REVERSE CL GEAR & HUB ASSY - SEE GEAR GROUP	
31		RETAINING RING - SEE GEAR GROUP	

Section 5 ASSEMBLY TRANSMISSION

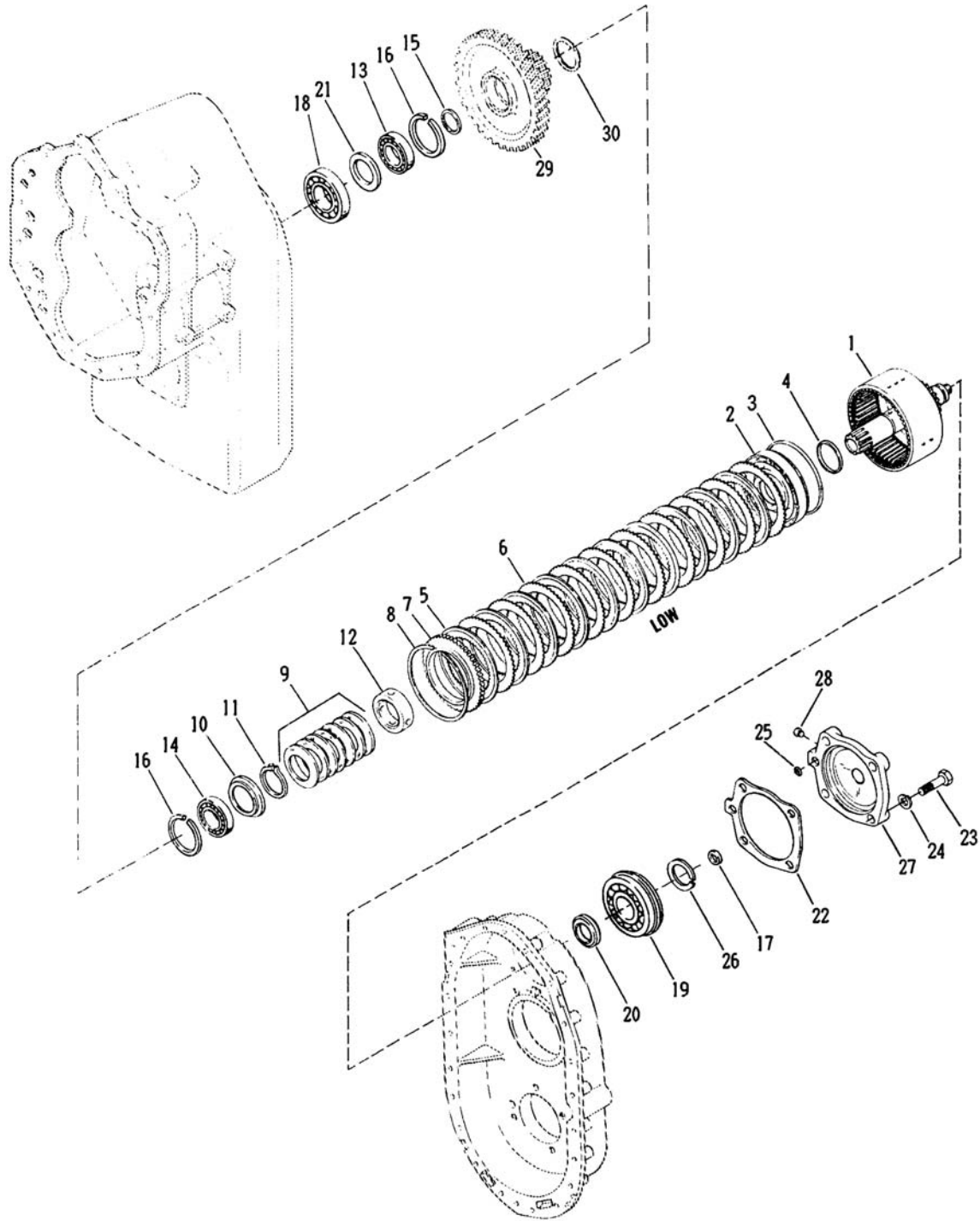


FIGURE 13. 24000 LOW SHAFT GROUP



Section 5 ASSEMBLY TRANSMISSION

FIGURE 13. 24000 LOW SHAFT GROUP

FIG ITEM	PART NUMBER.	NOMENCLATURE 123456	UNITS PER ASSY
1	242942	ASSY-LOW CLUTCH SHAFT DRUM & BLEED VALVE	1
2	4204050	ASSY-CLUTCH PISTON & SEALS-INCL.ITEMS 3 & 4	1
3	1237032	SEAL-CLUTCH PISTON - OUTER - PART OF ITEM 2	1
4	234113	SEAL-CLUTCH PISTON - INNER - PART OF ITEM 2	1
5	234336	DISC-CLUTCH INNER	10
6	234109	DISC-CLUTCH OUTER	10
7	242650	PLATE-CLUTCH DISC BACKING	1
8	234111	SNAP RING	1
9	247659	ASSY-DISC SPRING - INCLUDING 7 WASHERS	1
10	248095	RETAINER-RING	1
11	234350	RING-RETAINING	1
12	242658	PISTON RETURN SPRING SPACER	1
13	241818	LOW SPEED GEAR BEARING	1
14	230885	BALL BEARING	1
15	241259	SPACER-LOW SPEED GEAR BEARING	1
16	223881	CLUTCH DRIVEN GEAR BRG SNAP RING	2
17	250215	RING-LOW SHAFT PISTON MELDIN	1
18	239742	BEARING-LOW SPEED CLUTCH SHAFT FRONT	1
19	230968	BEARING-LOW SPEED CLUTCH SHAFT REAR	1
20		Not Used On This Model	
21	234145	SPACER-FRONT BEARING	1
22	242685	GASKET-REAR BEARING CAP	1
23	243090	SCREW-REAR BEARING CAP	4
24	4E7	LOCKWASHER-REAR BEARING CAP	4
25	60K30012	"O" RING-REAR BEARING CAP	1
26	232081	RING-REAR BEARING RETAINING	1
27	242686	ASSY-REAR BEARING CAP & PLUG-INCL.ITEM 28	1
28	24K2	PLUG - PART OF ITEM 29	1
29		ASSY-LOW GEAR HUB & RING - SEE GEAR GROUP	
30		RETAINING RING - SEE GEAR GROUP	

Section 5 ASSEMBLY TRANSMISSION

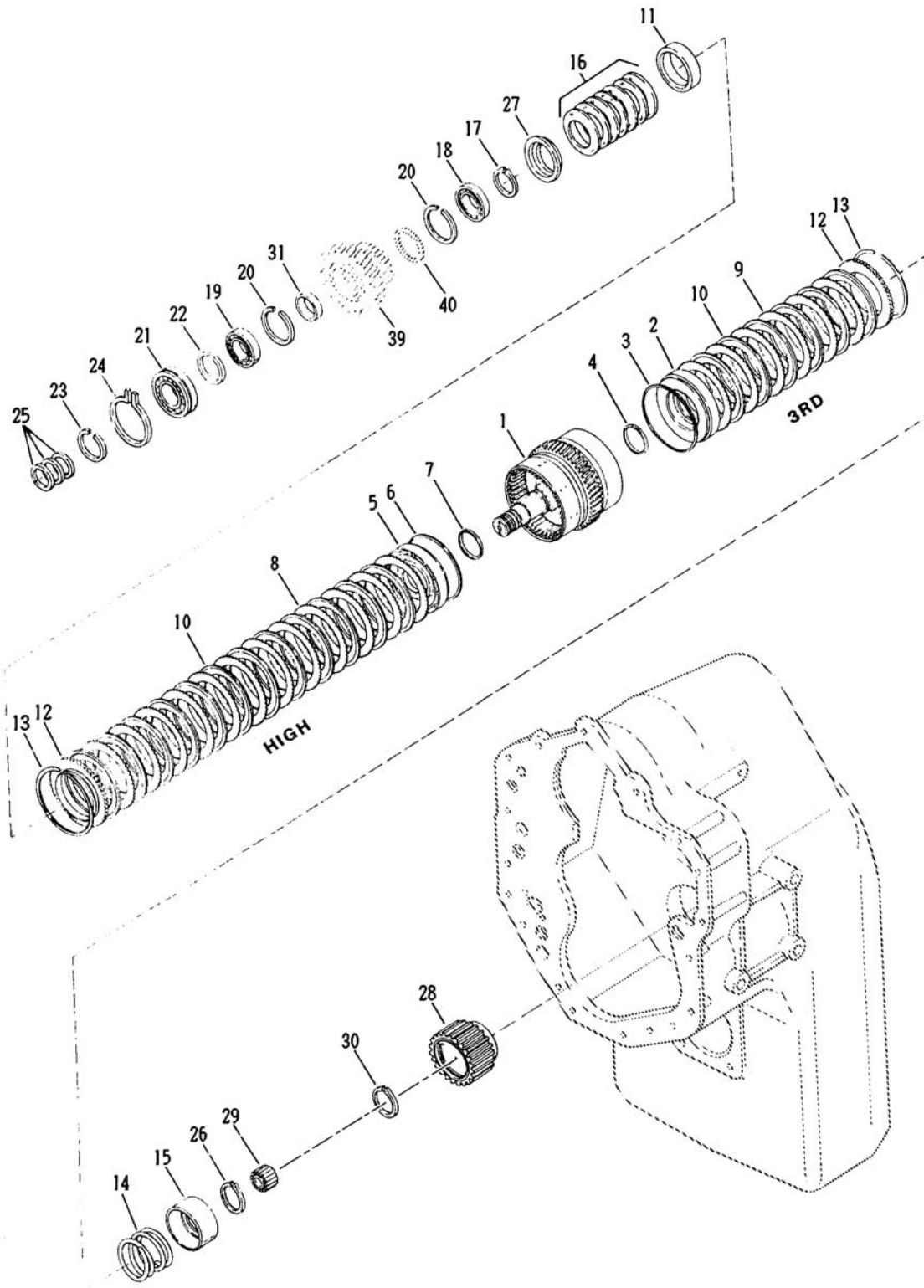


FIGURE 14. 24000 FORWARD - HI & 3RD SHAFT CLUTCH GROUP

FIGURE 14. 24000 FORWARD - HI & 3RD SHAFT CLUTCH GROUP

FIG ITEM	PART NUMBER.	NOMENCLATURE 123456	UNITS PER ASSY
1	246222	ASSY-FWD HI & 3RD SHAFT, DRUM & PLUG	1
2	4207175	ASSY-CL PISTON,BALL,SEAT&SEALS-INCL.ITEMS 3&4	1
3	237032	SEAL-CLUTCH PISTON - OUTER - PART OF ITEM 4	1
4	234113	SEAL-CLUTCH PISTON - INNER - PART OF ITEM 2	1
5	4204045	ASSY-CLUTCH PISTON AND SEALS-INCL.ITEMS 6 & 7	1
6	237032	SEAL-CLUTCH PISTON - OUTER - PART OF ITEM 5	1
7	234113	SEAL-CLUTCH PISTON - INNER - PART OF ITEM 5	1
8	237016	DISC-CLUTCH INNER	12
9	237016	DISC-CLUTCH INNER	6
10	234109	DISC-CLUTCH OUTER	18
11	237442	SPACER-PISTON RETURN SPRING	1
12	242650	PLATE-CLUTCH DISC BACKING	2
13	234111	SNAP RING-BACKING PLATE	2
14	235960	SPRING-PISTON RETURN	1
15	235959	RETAINER-SPRING	1
16	247657	ASSY-DISC SPRING - INCL. 7 WASHERS	1
17	234350	SNAP RING-SPRING RETAINING	1
18	230829	BEARING-CLUTCH DRIVEN GEAR	1
19	233389	BEARING-CLUTCH DRIVEN GEAR	1
20	234141	RING-CLUTCH GEAR BEARING RETAINING	2
21	241606	BRG-FWD HI & 3RD SHAFT FRONT	1
22	247949	SNAP RING-FRONT BRG REAR	1
23	246238	SNAP RING-FRONT BRG FRONT	1
24	230889	SNAP RING-FRONT BEARING	1
25	4208098	PISTON-RING	3
26	234350	SNAP RING-SPRING RETAINER	1
27	241313	RETAINER	1
28	4203200	HUB-3RD CLUTCH	1
29	233065	BRG-FWD HI & 3RD SHAFT REAR	1
30	234350	RING-3RD CLUTCH DISC HUB RETAINING	1
31	234304	SPACER-CLUTCH DRIVEN GEAR BEARING	1

Section 5 ASSEMBLY TRANSMISSION

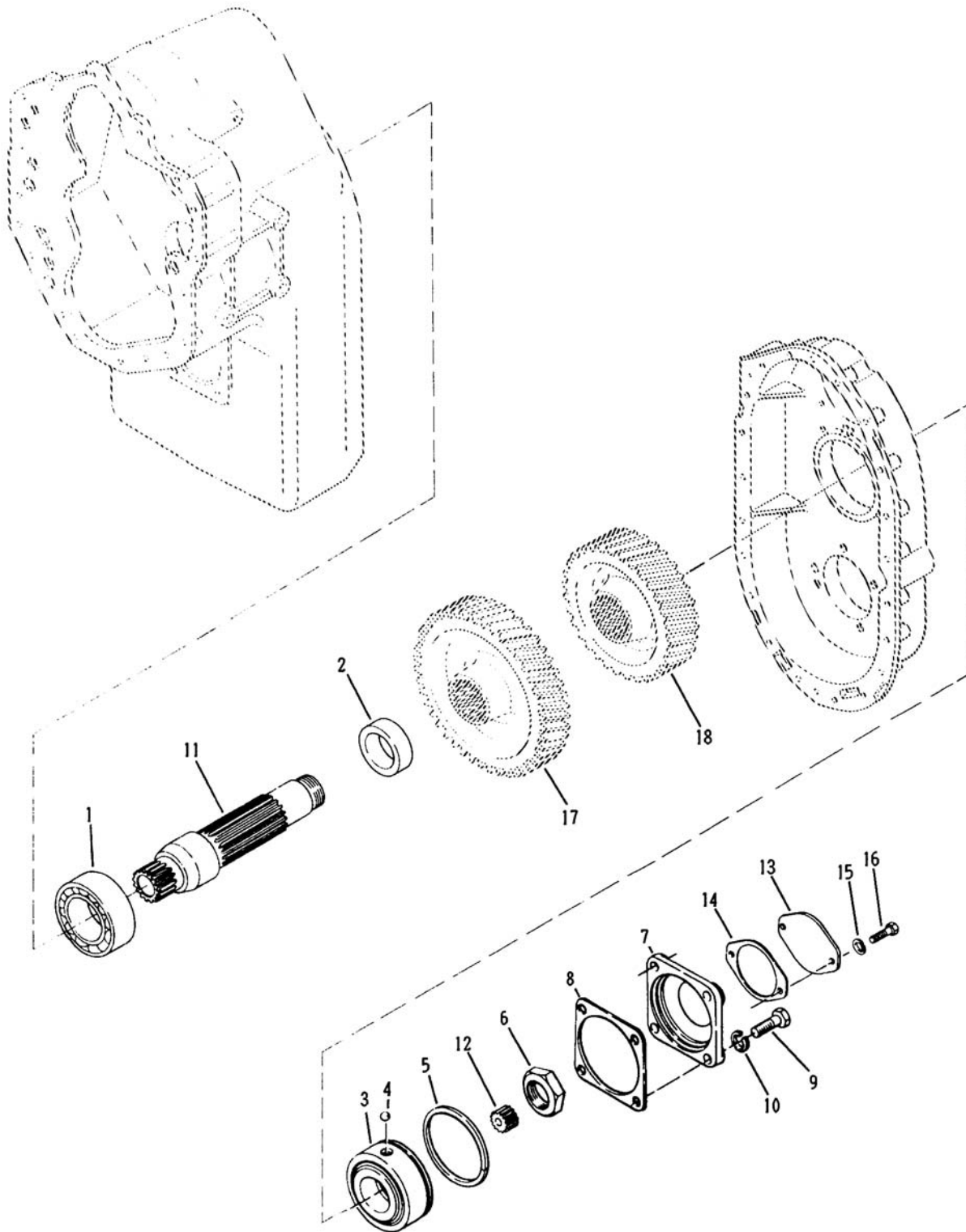


FIGURE 15. 24000 IDLER SHAFT GROUP



Section 5 ASSEMBLY TRANSMISSION

FIGURE 15. 24000 IDLER SHAFT GROUP

FIG ITEM	PART NUMBER.	NOMENCLATURE 123456	UNITS PER ASSY
1	229862	BEARING	1
2	235910	SPACER-OUTPUT SHAFT GEAR	1
3	231646	BEARING (ROLLER)	1
4	10J15	BALL	1
5	230952	SNAP RING	1
6	215634	NUT-IDLER SHAFT	1
7	231412	CAP-IDLER SHAFT REAR BEARING	1
8	230918	GASKET-IDLER SHAFT REAR BEARING CAP	1
9	243340	REAR BEARING CAP SCREW	4
10	4E9H	LOCKWASHER	4
11	244326	SHAFT-IDLER	1
12		Not Used On This Model	
13		Not Used On This Model	
14		Not Used On This Model	
15		Not Used On This Model	
16		Not Used On This Model	
17		GEAR-IDLER SHAFT - SEE GEAR GROUP	
18		GEAR-IDLER SHAFT - SEE GEAR GROUP	

Section 5 ASSEMBLY TRANSMISSION

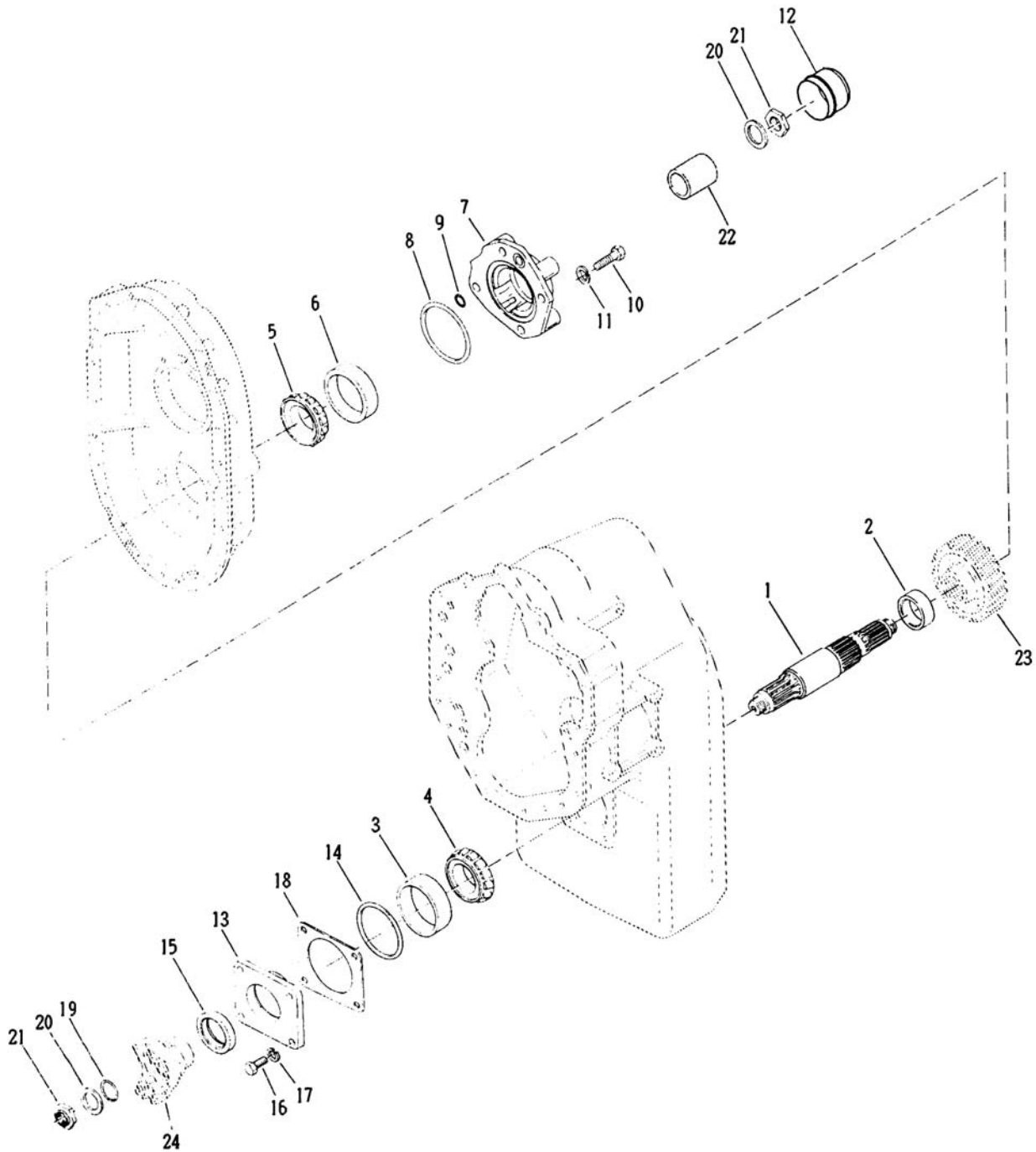


FIGURE 16. 24000 OUTPUT SHAFT GROUP

FIGURE 16. 24000 OUTPUT SHAFT GROUP

FIG ITEM	PART NUMBER.	NOMENCLATURE 123456	UNITS PER ASSY
1	243069	SHAFT-OUTPUT	1
2	235910	SPACER-OUTPUT SHAFT GEAR	1
3	243258	CUP-BEARING	1
4	247351	CONE-BEARING	1
5	243259	CUP-BEARING	1
6	247351	CONE-BEARING	1
7	231878	CAP-OUTPUT SHAFT REAR BEARING	1
8	60K40412	"0" RING-REAR BEARING CAP	1
9	60K30026	"0" RING-REAR BEARING CAP LUBE	1
10	243091	SCREW-REAR BEARING CAP SCREW	4
11	4E9	LOCKWASHER-REAR BEARING CAP SCREW	4
12	231855	BEARING CAP BORE PLUG	1
13	231818	CAP-FRONT BEARING	1
14	60K40400	"0" RING-FRONT BEARING CAP	1
15	230954	SEAL-FRONT BEARING CAP OIL	1
16	1C920	SCREW-BEARING CAP	4
17	4E9	LOCKWASHER-BEARING CAP SCREW	4
18A	231848	SHIM DISCONNECT BEARING CAP (.004)	AR
18A	231849	SHIM DISCONNECT BEARING CAP (.007)	AR
18A	231850	SHIM DISCONNECT BEARING CAP (.010)	AR
18A	231851	SHIM DISCONNECT BEARING CAP (.020)	AR
19	60K60116	"0" RING-FLANGE	1
20	222179	WASHER-FLANGE	2
21	222960	NUT-FLANGE	2
22	237166	SPACER	1
23		GEAR-OUTPUT - SEE GEAR GROUP	
24		FLANGE-OUTPUT FRONT - SEE GEAR GROUP	

Section 5 ASSEMBLY TRANSMISSION

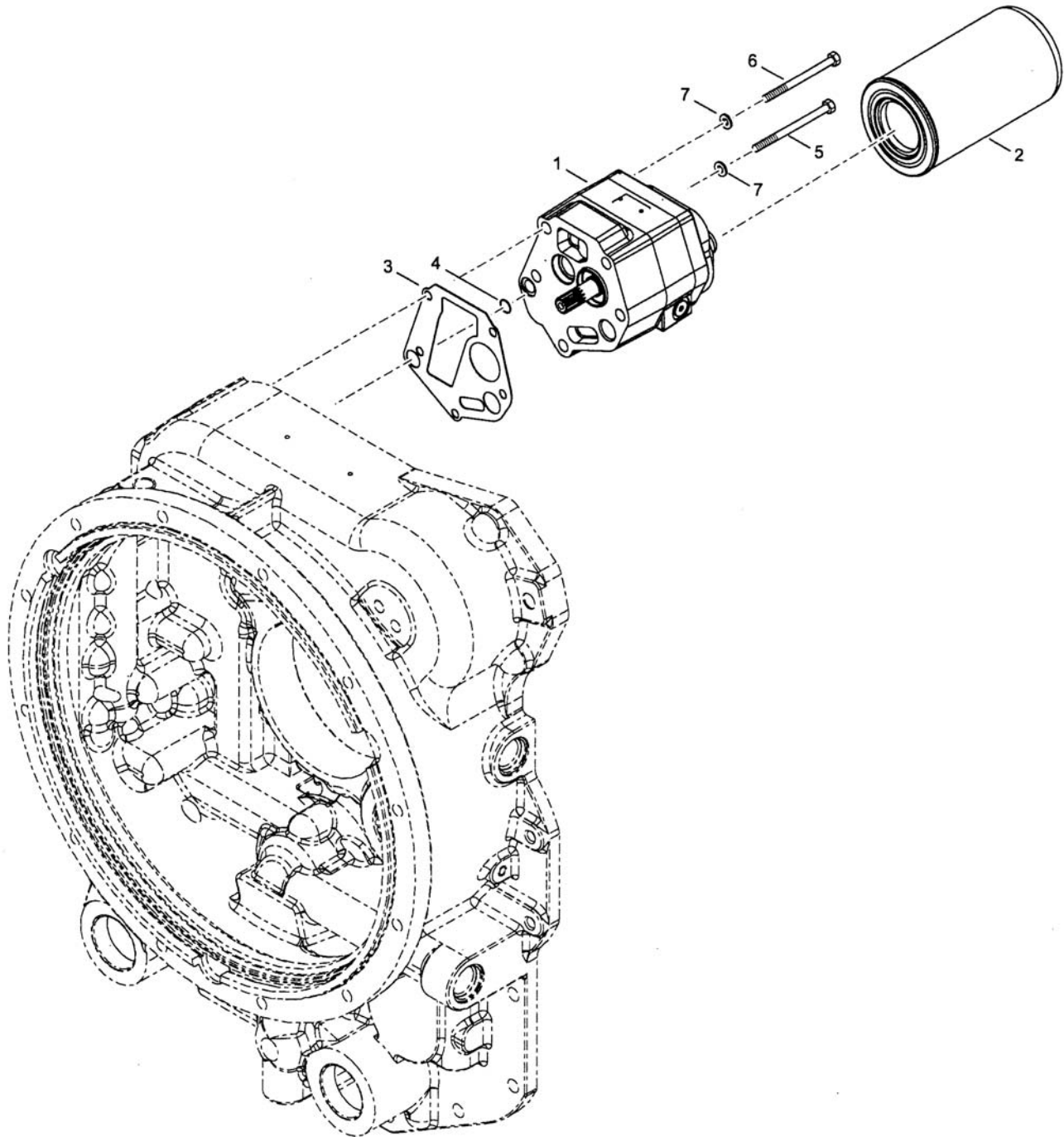


FIGURE 17. TE10 CHARGING PUMP & FILTER ASSY GROUP

Section 5 ASSEMBLY TRANSMISSION

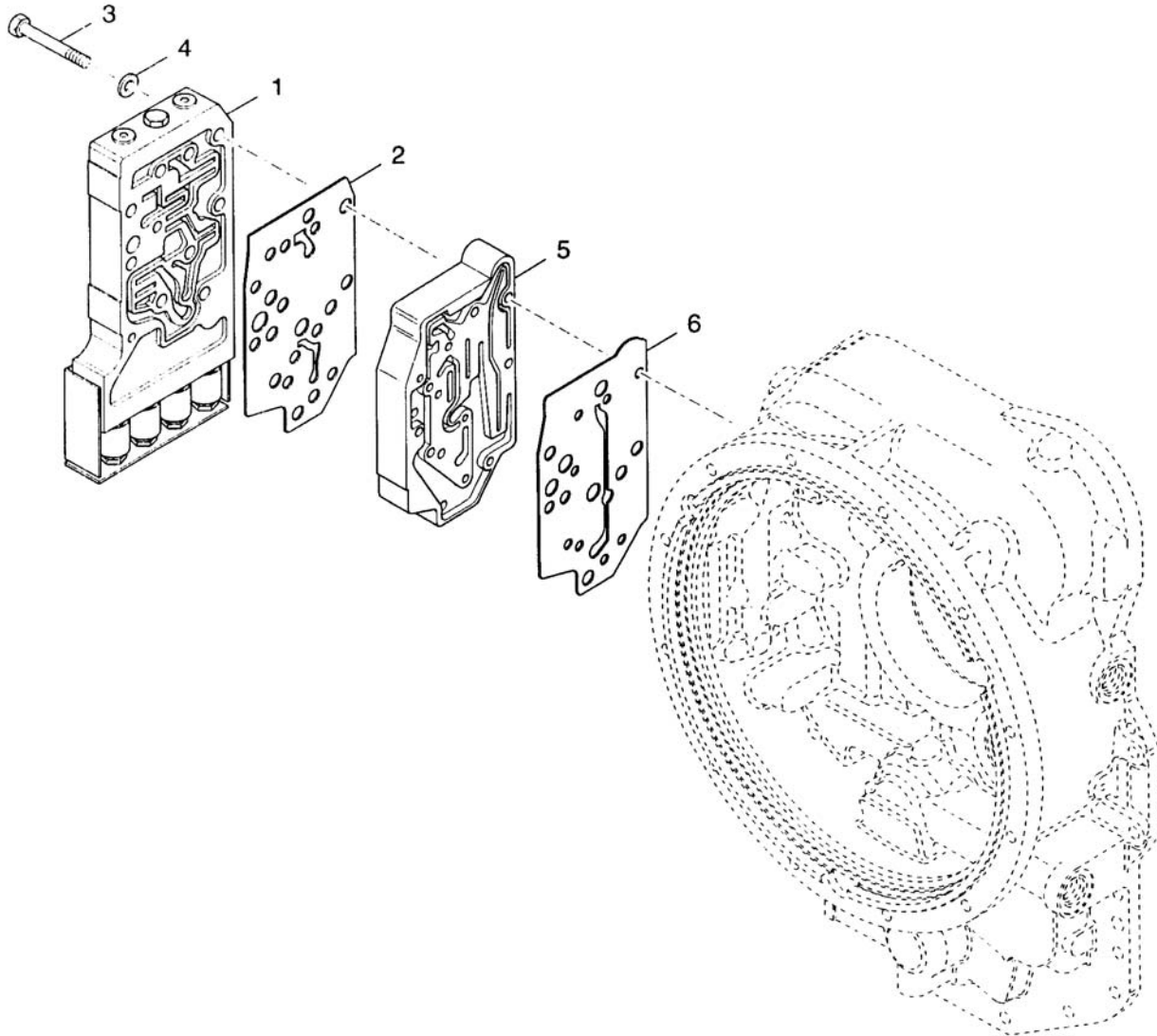


FIGURE 18. T20000 ELECTRIC CONTROL VALVE MOUNTING GROUP

Section 5 ASSEMBLY TRANSMISSION

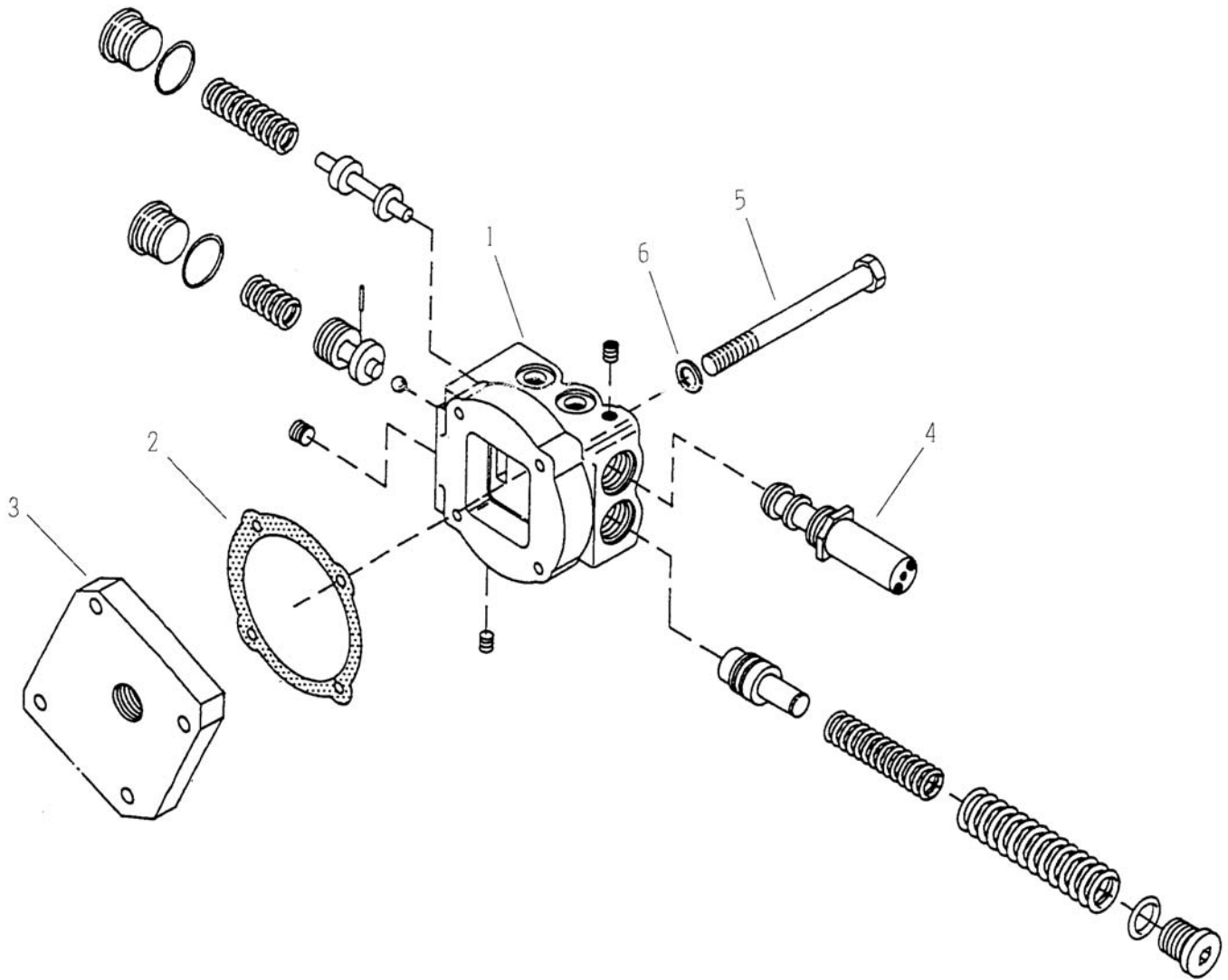


FIGURE 19. 34000 LOCK-UP MODULATOR VALVE ASSEMBLY

Section 5 ASSEMBLY TRANSMISSION

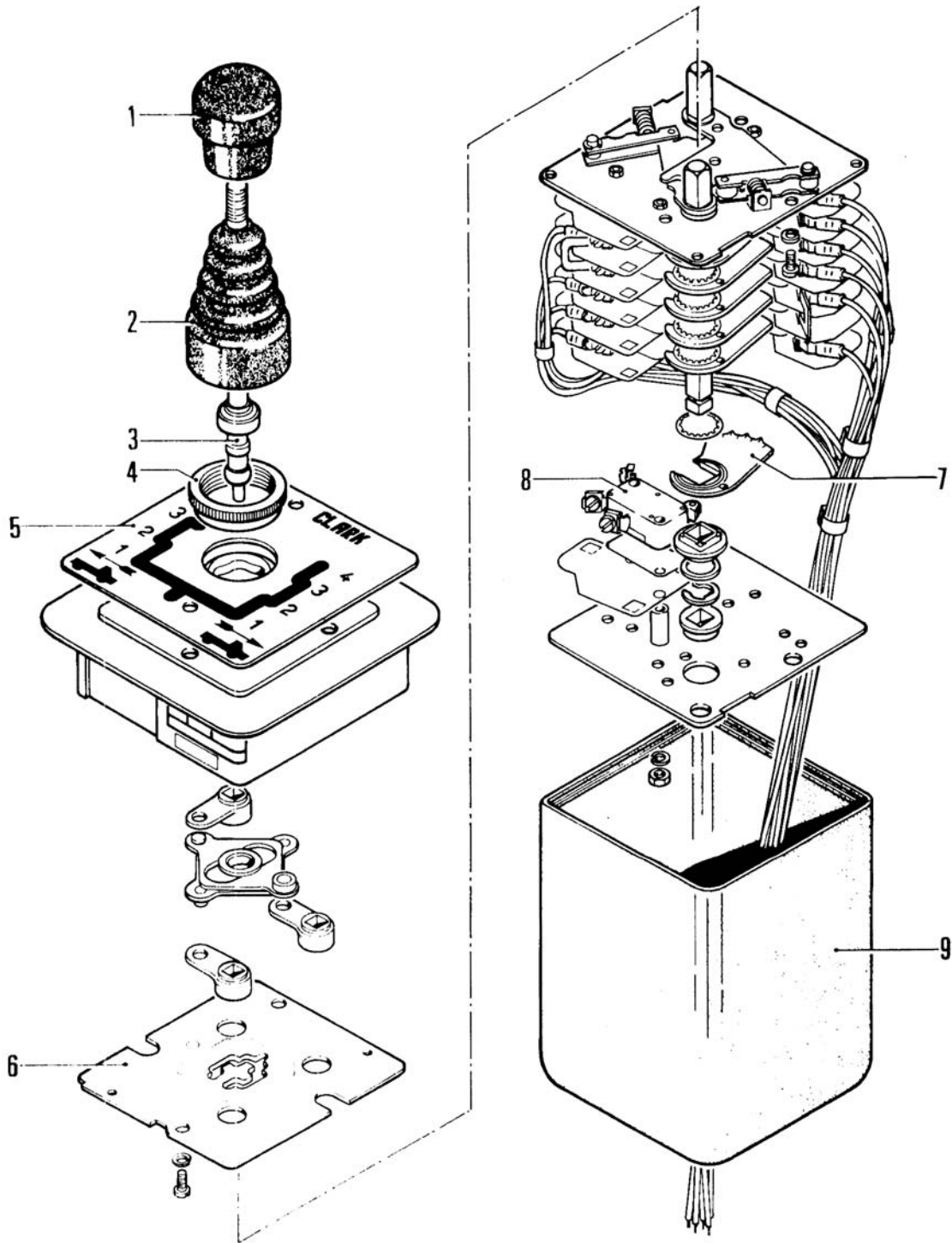


FIGURE 20. ELECTRIC CAB CONTROL SINGLE LEVER

Section 5 ASSEMBLY TRANSMISSION

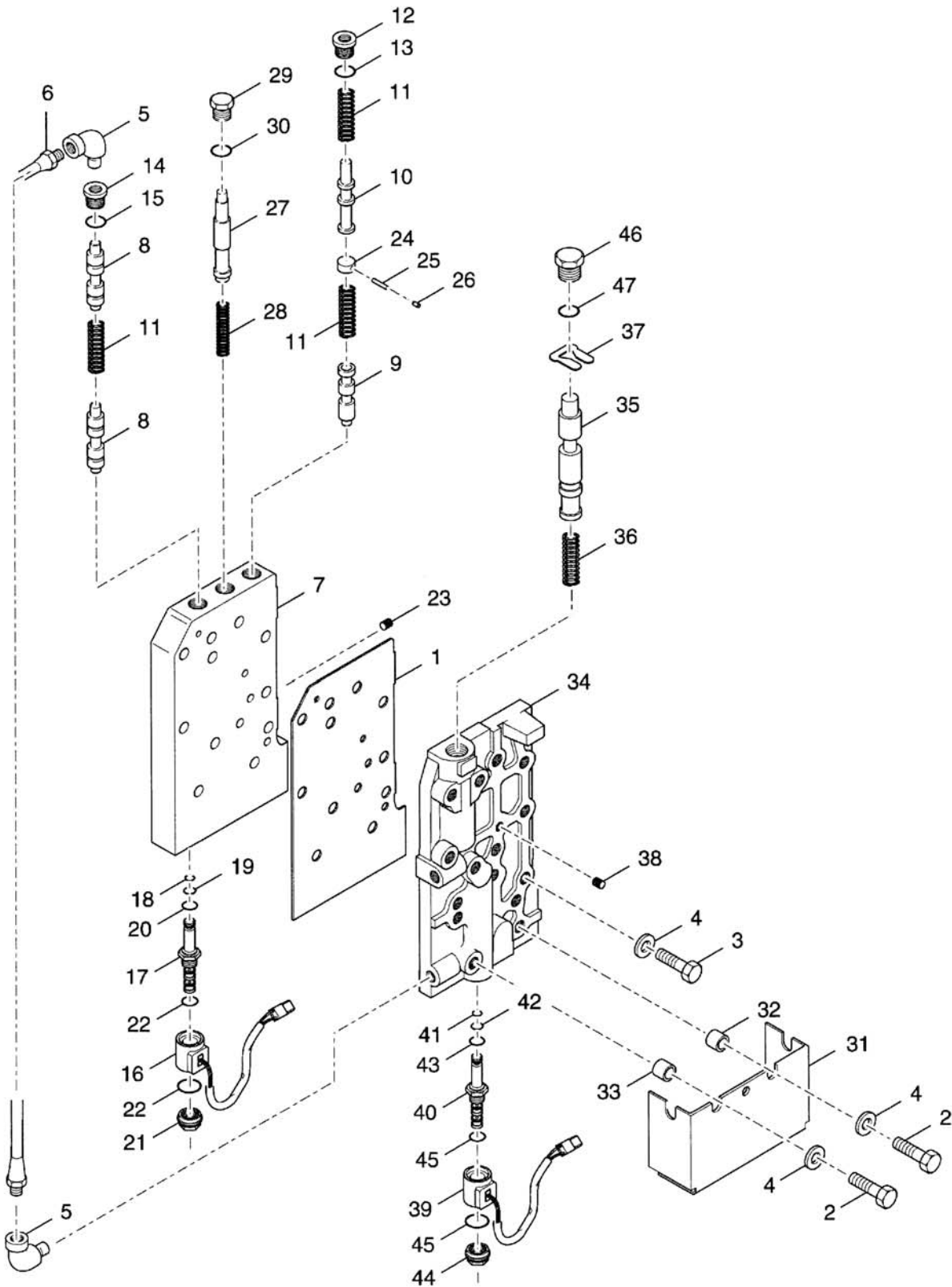


FIGURE 21. T20000 ELECTRONIC CONTROL VALVE ASSEMBLY



Section 5 ASSEMBLY TRANSMISSION

FIGURE 21. T20000 ELECTRONIC CONTROL VALVE ASSEMBLY

FIG ITEM	PART NUMBER.	NOMENCLATURE 123456	UNITS PER ASSY
1	248005	GASKET-ELECTRIC SHIFT VALVE TO COVER	1
2	1C644	SCREW	2
3	1C624	SCREW	1
4	4E6	LOCKWASHER	3
5	731745	ELBOW	2
6	241583	ASSY-FWD PILOT PRESSURE TUBE	1
7	Not Sold Separately	HOUSING-CONTROL VALVE	1
8	246015	SPOOL-FWD. & REV. SHIFT	2
9	246018	SPOOL-RANGE (1ST & 2ND)	1
10	246017	SPOOL-RANGE (3RD)	1
11	246016	SPRING	3
12	47K6	PLUG-VALVE HOUSING - INCLUDING ITEM 13	1
13	91F6	O RING - PART OF ITEM 12	1
14	241323	VALVE PLUG -INCLUDING ITEM 15	1
15	91F6	O RING - PART OF ITEM 14	1
16	246324	COIL 12V	4
17	246356	CARTRIDGE-BALL VALVE- INCL. ITEMS 18,19 &	4
18	76K12	O RING - PART OF ITEM 17	4
19	76K13	O RING - PART OF ITEM 17	4
20	78K8	O RING - PART OF ITEM 17	4
21	249152	NUT-SOLENOID	4
22	76K20	"O" RING - COIL TO NUT	8
23	239244	PLUG	2
24	241118	STOP-SPOOL	1
25	1JM5024	PIN-ROLL	1
26	4200274	PLUG STOP	1
27	234185	SPOOL-FORWARD & REVERSE DECLUTCHING	1
28	234181	SPRING-DECLUTCH	1
29	47K7	PLUG - INCLUDE ITEM 30	1
30	91F7	O RING - PART OF ITEM 29	1
31	4205611	COVER-SOLENOID	1
32	4205630	SPACER-COVER	1
33	4204759	SPACER-COVER	1
34	Not Sold Separately	BODY-SHUTTLE VALVE	1
35	246019	SPOOL-HIGH & LOW SHUTTLE	1

Section 5
ASSEMBLY TRANSMISSION



**This Page
Intentionally
Left Blank**

Section 5 ASSEMBLY TRANSMISSION

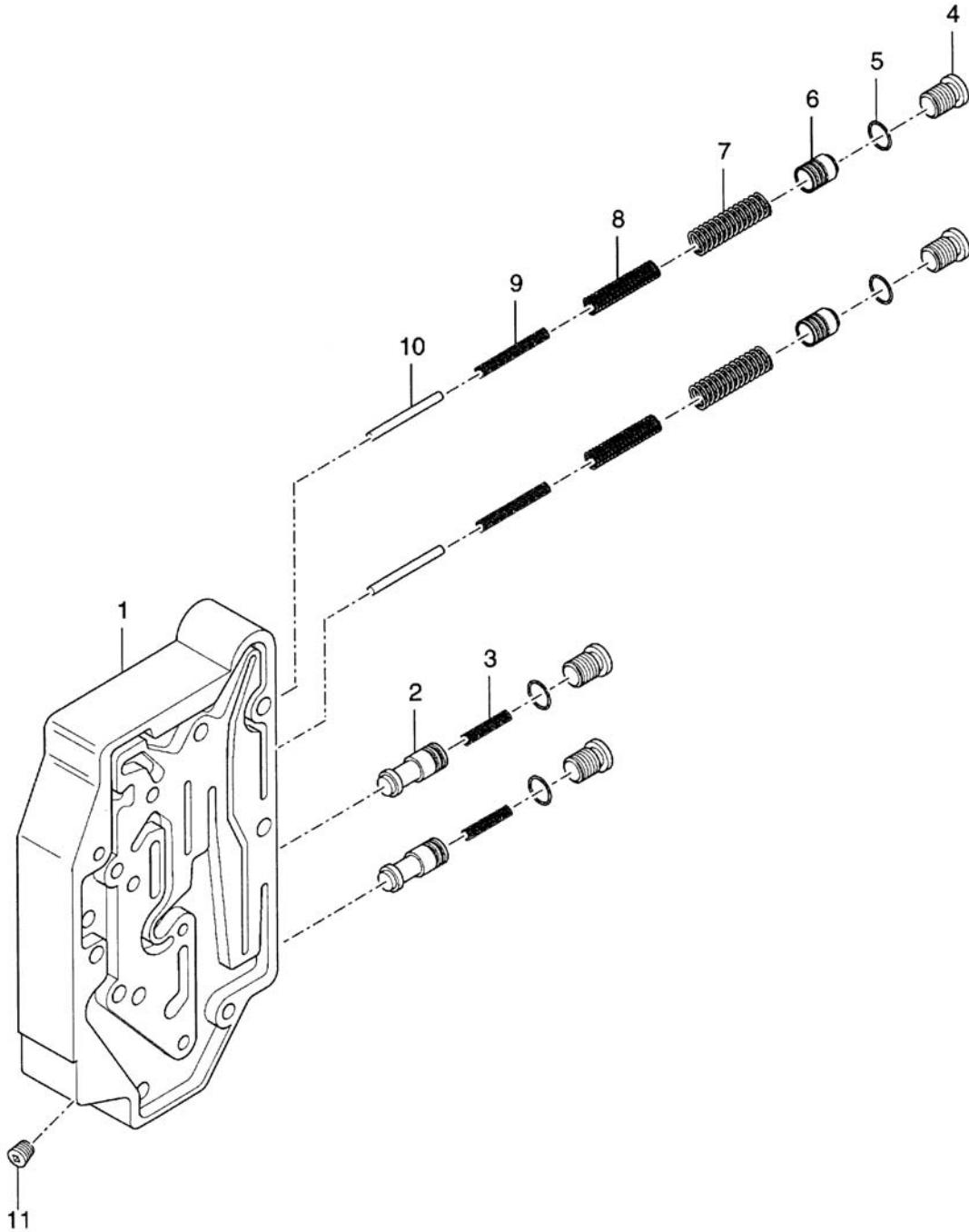


FIGURE 22. T20000 MODULATOR VALVE ASSEMBLY



Section 5 ASSEMBLY TRANSMISSION

FIGURE 22. T20000 MODULATOR VALVE ASSEMBLY

FIG ITEM	PART NUMBER.	NOMENCLATURE 123456	UNITS PER ASSY
1	Not Sold Separately	HOUSING-MODULATOR - PART OF VALVE ASSEMBLY	1
2	Not Sold Separately	REGULATOR-SPOOL - PART OF VALVE ASSEMBLY	2
3	241670	SPRING-REGULATOR	2
4	47K7	PLUG - INCLUDING ITEM 5	4
5	91F7	"O" RING - PLUG - PART OF ITEM 4	4
6	Not Sold Separately	ACCUMULATOR-SPOOL - PART OF VALVE ASSEMBLY	2
7	237878	SPRING OUTER	2
8	237879	SPRING MIDDLE	2
9	241666	SPRING-INNER	2
10	237881	STOP PIN	2
11	40K2	PIPE PLUG	1

Section 5 ASSEMBLY TRANSMISSION

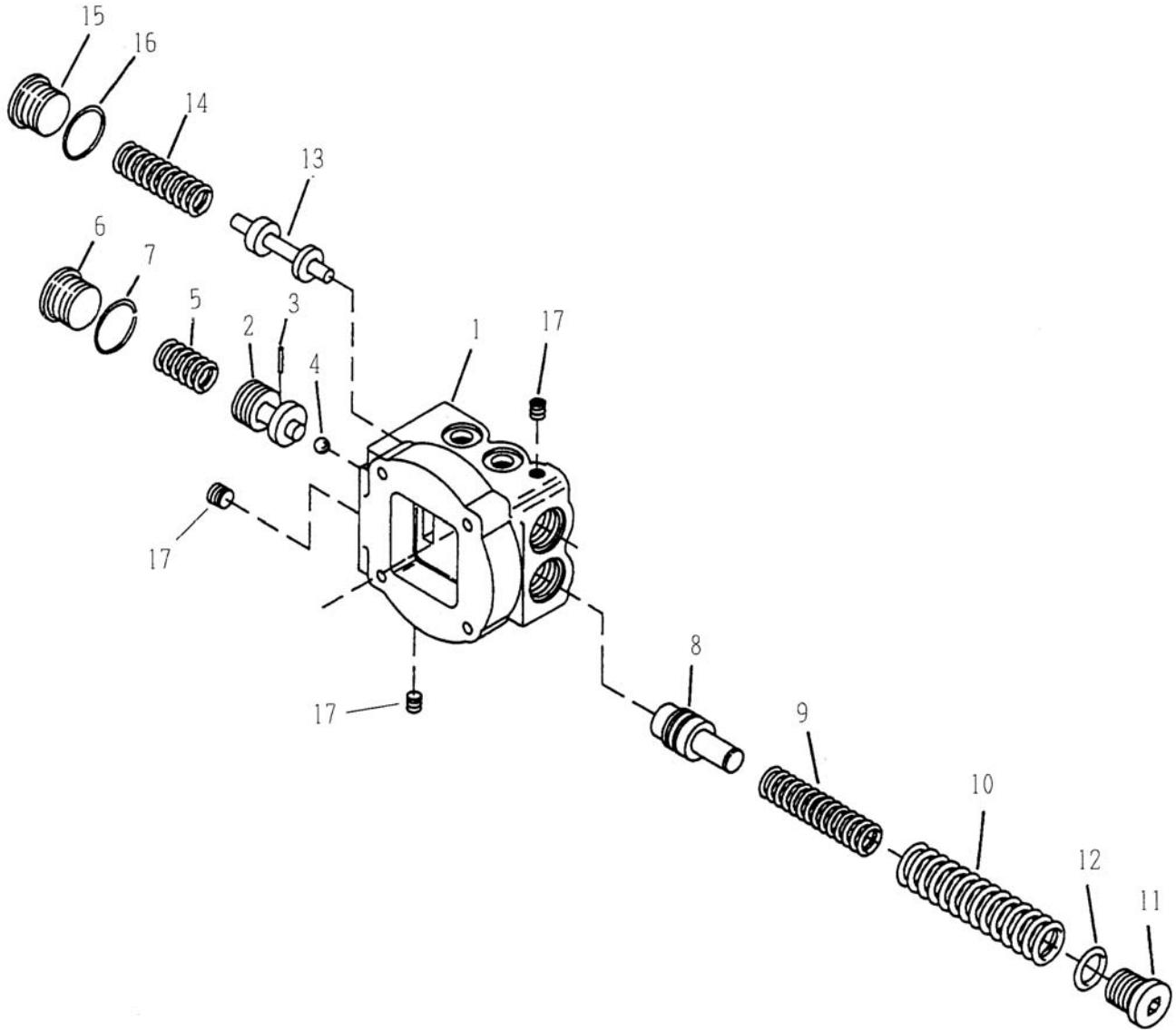


FIGURE 23. 36000 LOCK-UP MODULATOR VALVE ASSEMBLY



Section 5 ASSEMBLY TRANSMISSION

FIGURE 23. 36000 LOCK-UP MODULATOR VALVE ASSEMBLY

FIG ITEM	PART NUMBER.	NOMENCLATURE 123456	UNITS PER ASSY
1	4200814	HOUSING-LOCKUP & MODULATOR VALVE	1
2	247839	ASSY-REGULATOR SPOOL - INCL. ITEM 3 & 4	1
3	247841	PLUG-REGULATOR SPOOL - PART OF ITEM 2	1
4	10J6	BALL - PART OF ITEM 2	1
5	241670	SPRING-REGULATOR	1
6	47K7	PLUG - INCLUDING ITEM 7	1
7	91F7	O RING - PART OF ITEM 6	1
8	235965	VALVE SPOOL	1
9	246295	SPRING ACCUMULATOR INNER	1
10	246294	SPRING ACCUMULATOR OUTER	1
11	47K7	PLUG - INCLUDING ITEM 12	1
12	91F7	O RING - PART OF ITEM 11	1
13	4200815	SPOOL	1
14	240381	SPOOL PISTON SPRING	1
15	47K7	PLUG - INCLUDING ITEM 16	1
16	91F7	O RING - PART OF ITEM 15	1
17	239243	PLUG	3
	47K5	DETENT PLUG	2
	47K6	VALVE HOUSING PLUG	1
	47K6	VALVE HOUSING PLUG	1

ASSEMBLY TRANSMISSION ENGINEERING PARTS LIST



CONVERTER SECTION SEALING KIT HR24000 AND LMHR24000

*QTY SHOWN IS TO MAKE ONE OF THE NEXT HIGHER ASSEMBLY

PART NUMBER.	QTY	NOMENCLATURE
		123456
219373	2	SCREEN ASSY GASKET
241237	1	OIL BAFFLE SEAL RING
60K40520	2	BEARING CAP TO IMP COVER O RING & DRIVE DISC O RIN
247666	1	GASKET-CONTROL VALVE
235283	1	GASKET-PUMP ASSEMBLY TO CONVERTER HOUSING
247614	1	GASKET-CONTROL VALVE TO MODULATION VALVE
247615	1	GASKET-MODULATION VALVE TO CONV. HSG.
234643	2	PUMP THRUST PLATE SEAL
243045	1	VALVE TO PUMP GASKET
243052	1	SEAL-PUMP DRIVE GEAR
234650	1	CONTROL VALVE OIL SEAL
25K30022	1	INCHING HOUSING O RING
241893	1	VALVE SPOOL OIL-SEAL
232535	1	IMPELLER TO COVER O RING
242046	12	SCREW-TURBINE HUB
234973	1	IMPELLER HUB O-RING
235593	1	BAFFLE OIL-SEAL
249124	1	PISTON RING EXPANDER SPRING
245772	1	PISTON RING
223085	1	PISTON RING
241279	1	GASKET-CONY. HSG. TO TRANSM CASE
231798	1	FRONT COVER SEAL MHR
232125	1	GASKET-CONVERTER HOUSING FRONT COVER MHR
242829	1	IMPELLER TO COVER O RING
60K40408	1	INPUT SHAFT O RING MHR
241294	1	ELECTRIC CONTROL VALVE GASKET
209781	1	PISTON RING
242892	12	TURBINE TO HUB SCREW
248047	1	SHUTTLE VALVE GASKET
60K40428	1	O RING INNER SEAL
60K40908	1	O RING OUTER SEAL
60K40400	1	BORE PLUG O RING
60K40120	2	REAR IDLER SHAFT O RING
60K30018	1	PUMP VALVE STOP O RING
239892	1	SHIFT RAIL OIL SEAL
242579	1	GASKET-PUMP DISCONNECT
60K40200	1	AUX PUMP IDLER SHAFT O RING
244423	1	GASKET-MODULATION VALVE TO CONY. HSG.
4200074	1	LOCK-UP TO MODULATOR VALVE GASKET



ASSEMBLY TRANSMISSION ENGINEERING PARTS LIST

TRANSM. SECT SEALING KIT HR24000 LD 3; 4; 6 SPEED
*QTY SHOWN IS TO MAKE ONE OF THE NEXT HIGHER ASSEMBLY

PART NUMBER.	QTY	NOMENCLATURE
		123456
60K40104	1	SUCTION TUBE O RING
60K40026	7	CLUTCH PRESSURE O RING
236646	1	GASKET-REAR COVER
60K30018	1	CLUTCH PRESSURE TUBE O RING
237032	6	SEAL-CLUTCH PISTON - OUTER
234113	6	SEAL-CLUTCH PISTON - INNER
242651	4	FORWARD SHAFT PISTON-RING
209781	1	FORWARD CLUTCH PISTON RING
249779	6	PISTON-RING (40MM)
250215	1	LOW SHAFT RING-PISTON
242685	1	LOW BEARING CAP GASKET
60K30012	2	PRESSURE TUBE & BEARING CAP O RING
230918	1	FELLER BEARING CAP GASKET
60K40400	1	OUTPUT BEARING CAP O RING
60K40412	2	DISCONNECT O RING
60K30022	1	DISCONNECT LUBE O RING
60K30110	1	BORE PLUG O-RING
230954	1	OIL SEAL
60K30016	1	AIR ACTUATOR PISTON O RING
249158	1	AIR ACTUATOR PISTON GLYD RING
60K30120	1	DISCONNECT HOUSING O RING
60K60116	2	FLANGE O-RING
60K30026	1	BEARING CAP O RING
4209656	1	OIL SEAL WITH GREASE PRELUBE
225823	1	BEARING CAP OIL SEAL
25K40112	1	FLANGE O RING
237378	4	SPRING-PISTON RING EXPANDER
60K40120	2	IDLER SHAFT O RING
241894	1	SPEEDO OIL SEAL
91FB	1	SPEEDO TUBE NUT O RING