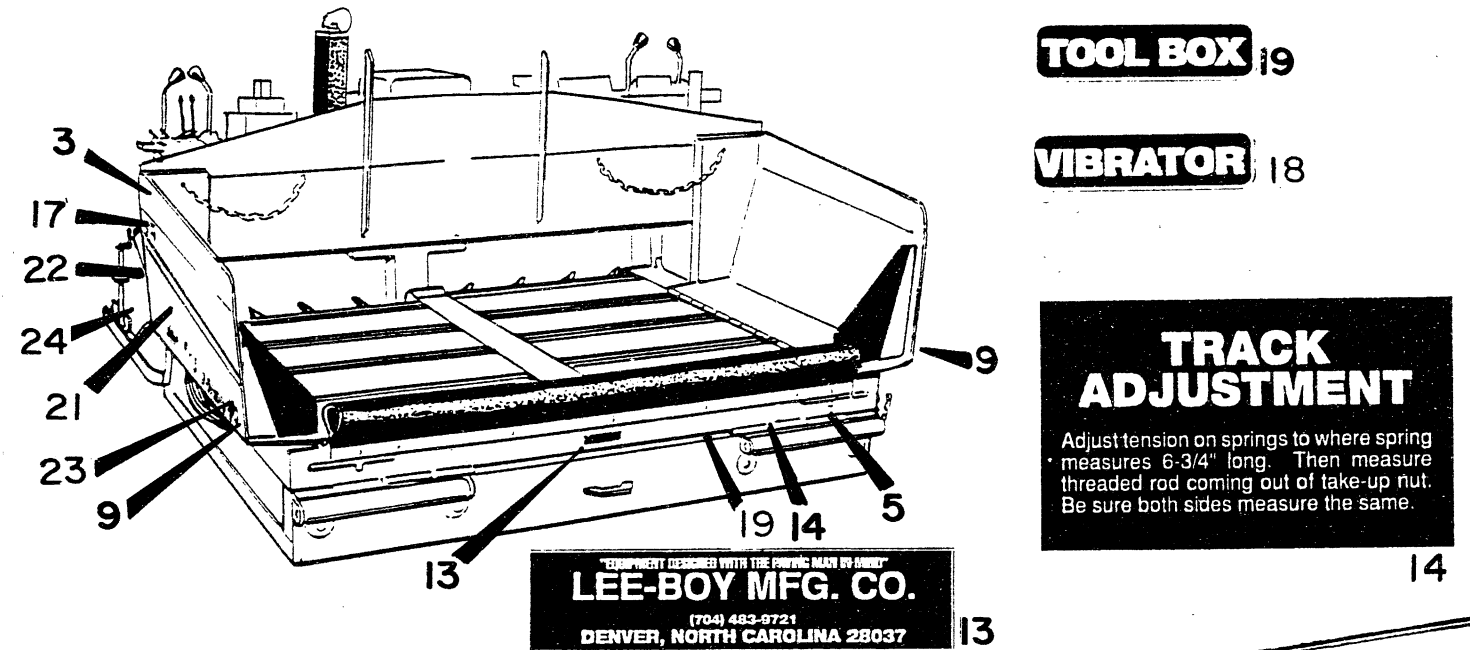
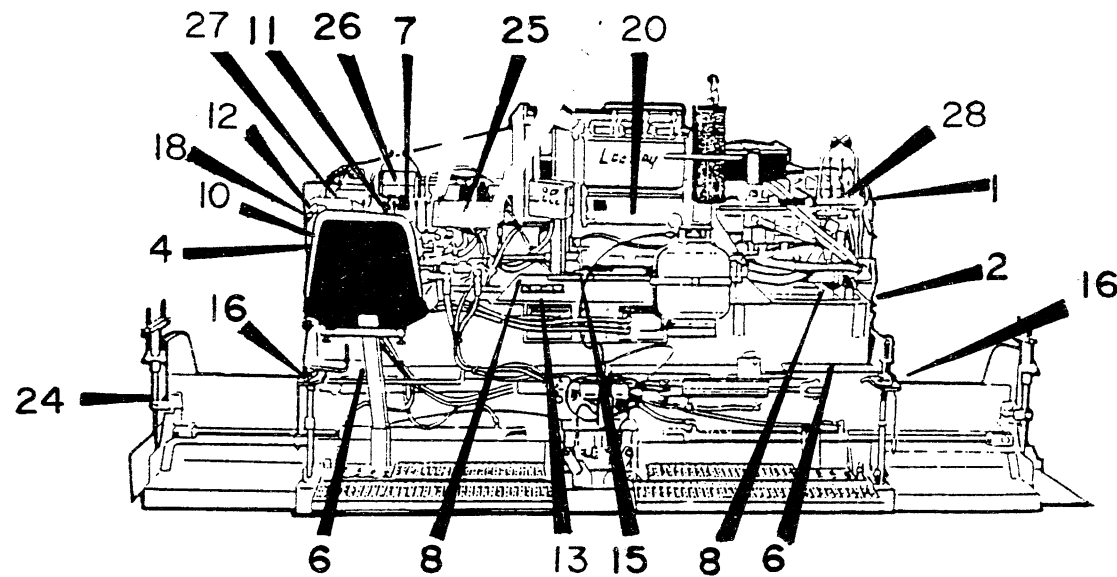


**ELECTRICAL COMPONENTS**



ITEM NO.	PART NUMBER	DESCRIPTION	QTY.
1	900010	Pump, Flojet Fuel	1
2	900020	Switch, neutral safety	1
3	500040	Switch, toggle, spray down	1
4	900030	Switch, toggle, conveyor	2
5	900050	Switch, micro	2
6	900060	Arm, micro switch	2
7	900070	Remote, switch assembly	2
8	900080	Switch, remote (only)	2
9	870302	Electric motor & screw assembly	2
10	900100	Valve, solenoid	2
11	900120	Light, conveyor (Pilot)	1
12	900124	Fuses, Dash (NS)	5
13	900130	Meter, Hour (NS)	1
14	900135	Switch, Automatic Augers (NS)	2
15	900142	Cord, Automatic Augers (NS)	2
16	900146	Paddle, Automatic Augers (NS)	2
17	900150	Bracket, Switch Automatic Augers (NS)	2
18	900125	Valve, Coil (N/S) (Conveyor)	2
19	900122	Switch, Conv. Light (N/S)	1
20	900132	Valve, Automatic Auger (N/S)	2
21	900140	Valve, High/Low T/H (N/S)	1
22	900144	Sensor Temp. Oil Cooler (N/S)	1
23	900147	Cable, Battery - (N/S)	1
24	900148	Cable, Battery + (N/S)	1
25	900152	Dash Complete (Hatz) (N/S)	1
26	900154	Dash Complete (Deutz) (N/S)	1
27	900082	Cord, Remote	1



EQUIPMENT DESIGNED WITH THE FARMING MAN IN MIND  
**LEE-BOY MFG. CO.**  
 (704) 482-9721  
 DENVER, NORTH CAROLINA 28037

**DANGER**  
 DO NOT FILL FUEL TANK WHILE ENGINE IS RUNNING OR SCREED IS BEING HEATED

**WARNING**  
 DO NOT USE ELECTRIC SPRAY SYSTEM WHEN BURNERS ARE IN USE

**DANGER**  
**PINCH POINT**  
**CAUTION**  
 DO NOT SPRAY FUEL OIL ON TIRES. WHEN SIDE WINGS ARE FOLDED OUT, DO NOT OPERATE HYDRAULICALLY. (ALWAYS SECURE SIDE WINGS BEFORE OPERATING)

**WARNING**  
 HYDRAULIC OIL ONLY  
 KEEP CLEAN

**SAFETY**  
 LIP PROP

**DANGER**  
 PINCH POINT

**DO NOT OPERATE OR TOW THIS MACHINE WITHOUT FIRST FULLY UNDERSTANDING THE CONTENTS OF THE OPERATORS MANUAL.**

**DANGER**  
 Keep Hands & Clothing Clear of Augers & Conveyors

**DANGER**  
 Always Keep Guidebar Latched While in Transit (Keep All Adjustments Tight)

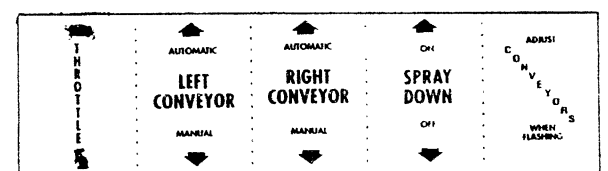
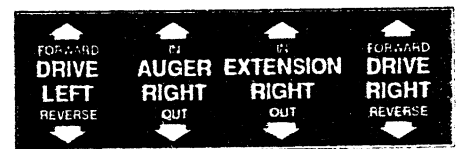
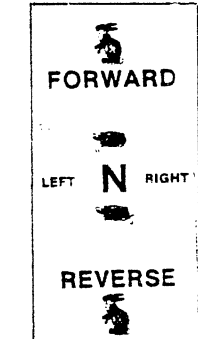
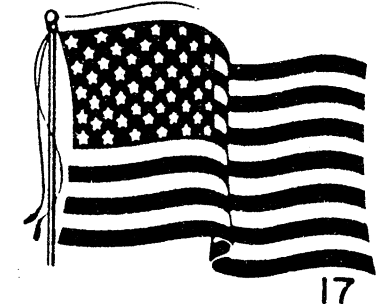
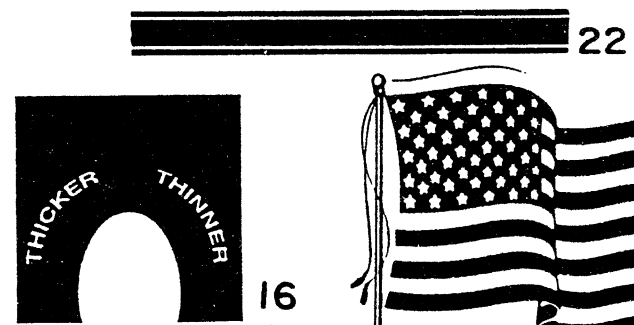
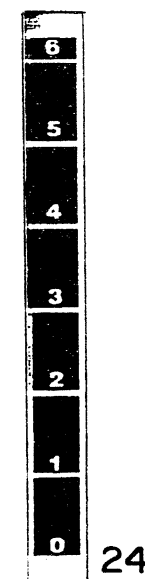
**DANGER ... DO NOT ATTEMPT TO SHIFT HIGH AND LOW GEAR LEVER UNLESS MACHINE IS SITTING LEVEL BY OPERATOR'S EYE.**

**WARNING**  
 ALWAYS FOLD SIDEWINGS ON HOPPER OUT BEFORE RAISING CONVEYOR.

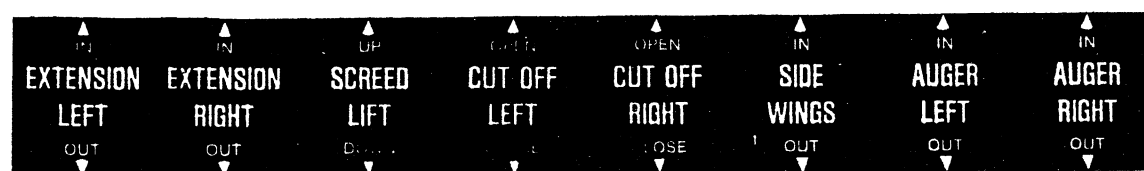
**IMPORTANT**  
 WHEN CHANGING GEARS MOVE DRIVE LEVERS FORWARD AND REVERSE GENTLY, WHILE APPLYING ABOUT 15 LBS. PRESSURE ON SHIFTER HANDLE. THIS WILL ELIMINATE TRANSMISSION DAMAGE.

**Lee-Boy**  
**Check List**  
 (1000B - 8000B - 8000BH)

- A. Check fuel level in tanks before lighting burners. (Propane pressure: 6-8 lbs.)
- B. Check engine oil (use 15W40)
- C. Check air cleaner every 100 Hrs. (Section 5)
- D. Check hydraulic oil level (use 15W40). (Section 5)
- E. Check oil level in gear boxes (use 90 Wt.). (Section 5)
- F. Grease all fittings daily except on bearings. Grease bearings every 6 months, being careful not to rupture seals. Auger grease fittings need to be greased at end of day while still hot. (Section 5)
- G. Check Quadco Controls and pump cables daily for wear. (Questions: Check manual under Quadco Controls.) **DANGER:** Never shift High-Low on incline.
- H. Check hoses for damage or wear.
- I. Cleaning screed inserts. (Section 5)
- J. Spraying fuel oil on machine for lubricating. Do not spray drive wheels. (Section 4)
- K. Always loosen vibrator nuts before adjusting crown.
- L. Track Adjustment: Adjust tension on springs to where spring measures 6-3/4" long. Then measure threaded rod coming out of take-up nut. Be sure both sides measure the same.



**CHECK OIL EVERY 30 DAYS**



**H**