



ATTENTION:

Depending on what replacement parts you are ordering, we will need the following information:

GRINDER COMPONENTS

Serial Number
Model Number of Grinder

ENGINE COMPONENTS

Brand
Engine Serial Number
Engine Model Number

**STUMP GRINDER
MODEL 2250R
OPERATING & PARTS MANUAL**

Model No: **2250R** _____

Serial No: _____

Engine Make: _____

Serial No: _____

Clutch Make: _____

Model: _____ S/N _____

Delivery Date: _____

DEALER:

Name: _____

Address: _____

City/State: _____

Phone No: _____



Copyright 3/15

MANUFACTURED BY
BANDIT INDUSTRIES, INC.

6750 Millbrook Road
REMUS, MICHIGAN, USA 49340

PHONE: (800) 952-0178 IN USA
PHONE: (989) 561-2270 OR 561-2272
FAX: (989) 561-2273 ~ SALES DEPT.
FAX: (989) 561-2962 ~ PARTS/SERVICE
E-MAIL: www.banditchippers.com

IT IS VERY IMPORTANT THAT THIS FORM IS FILLED OUT COMPLETELY & ACCURATELY. IF WE CANNOT READ THE PURCHASER'S INFORMATION OR IT IS INCORRECT, OUR CUSTOMER LIST WILL NOT BE ACCURATE.

IMPORTANT - THIS FORM MUST BE RETURNED TO THE CUSTOMER DATA DEPARTMENT WITHIN TEN (10) DAYS IN ORDER TO VALIDATE WARRANTY

Customer Data Department
6750 Millbrook Road
Remus, MI, USA 49340
Phone: (800) 952-0178 in USA
Phone: (989) 561-2270
Fax: (989) 561-2273
E-mail: www.banditchippers.com

WARRANTY VALIDATION FORM
(STUMP GRINDER)

PURCHASER / OWNER INFORMATION:

Company Name _____ Contact Name _____
Mailing/Street Address _____ City _____
State _____ Zip Code _____ Phone Number (____) _____
E-mail _____ Machine Model No. _____ Serial No. _____
Date Put Into Service _____ Machine Hours _____ Engine Make _____
Engine Serial No. _____

DEALER / SELLER INFORMATION:

Dealer/Seller Name _____ Contact Name _____
Mailing/Street Address _____ City _____
State _____ Zip Code _____ Phone Number (____) _____

- 1. _____ Customer has been instructed and understands operation and all safety aspects of operating the equipment.
2. _____ Customer has been instructed and understands that everyone within 100 feet (30 m) of machine must wear personal safety equipment (i.e. hard hat, face shield, safety glasses, gloves, ear protection, etc.)
3. _____ Customer has been instructed and understands equipment maintenance schedules, procedures, and that it is their responsibility to perform maintenance (i.e. retightening all fasteners as needed, clutch and belt adjustments, etc.)
4. _____ Customer has been advised and understands not to reach near the cutter head with hands or feet or to be located near the debris field with engine running. The machine operators must always be located within easy reach of all control and shut down devices.
5. _____ Customer understands to not start grinding a stump without checking for power lines, water lines, sewer lines, phone lines, etc.
6. _____ Customer understands the purpose of and how to operate the shut down/shut off devices, and will not attempt to override any safety devices or guards.
7. _____ Customer has been instructed and understands to always remove the ignition key and completely disconnect battery from cables, wait for the cutter head to come to a complete stop, and to install the cutter head lock before performing any type of maintenance on the machine. Allow all the time necessary for the cutter head to come to a complete stop before opening the cutter head guard or starting any maintenance or service procedures. Customer has been shown and understands the purpose of the beltshield inspection hole and to not attempt any maintenance until belts are visually confirmed to have come to a complete stop.
8. _____ Customer has been instructed and understands: To Not operate this machine without the factory approved cutter head guard assembly in place. To Not operate this machine with any type of make shift cutter head guard. To Not operate this machine under any circumstances with the cutter guard open or unsecured.
9. _____ Customer has reviewed and understands limited warranty, and all written and visual instructions.
10. _____ Customer has received, been advised, and understands the manuals, and the Safety/Service video supplied with the grinder.
11. _____ All Danger, Warning and Operational decals are properly displayed on equipment and fully understood by customer.
12. _____ Customer has been instructed, understands, and agrees that all potential operators must: See the supplied video, be instructed on all Danger, Warning, and Operational decals, read the manual and follow the procedures.

I have inspected this equipment and find it in correct working condition. To the best of my knowledge, the customer and his/her personnel are aware of, and agree to the above procedures.

Signed: _____ Date: _____
(Dealer Representative)

The equipment has been thoroughly checked by the above named dealer representative, and I am satisfied with his/her instructions. I have also read, understand, and agree to reverse side of page.

Signed: _____ Date: _____
(Customer)

OPERATING INSTRUCTIONS BRUSH BANDIT STUMP GRINDERS

SAFETY ALERT SYMBOLS AND NOTATIONS

| Signal Word | Likelihood of Occurrence | Degree of Potential Injury or Damage |
|------------------|---|--------------------------------------|
| ⚠ DANGER | Will occur if warning is ignored | Severe |
| ⚠ WARNING | Can occur if warning is ignored | Severe |
| ⚠ CAUTION | Will or can occur if warning is ignored | Minor to Severe |
| NOTICE | Important, but not hazard related | Minor |

THIS IS GENERAL INFORMATION REVIEW, UNDERSTAND AND FOLLOW DETAILED INFORMATION IN MANUALS AND DECALS AT ALL TIMES

⚠ DANGER

This machine is equipped with safety decals, guards and designs for your protection.

Don't ever take the machine for granted, always be cautious and careful when operating your equipment.

Read and follow all the instructions in your manual thoroughly. Your safety is dependent on your knowledge of how to operate and maintain this machine. You may obtain additional copies of this manual from your Bandit Dealer.

Before operating machine, you must have all potential operators; read and understand manuals and decals, watch the video and follow the recommendations.

Regardless of how hard a manufacturer tries to produce a safe machine, accidents still happen. Normally accidents are caused by people making mistakes. They do not read the manual, they ignore warning decals or do not use lockouts provided for their safety. This normally happens after the person has become accustomed to the machinery. In the initial start up and operation of the machinery, they are cautious, they are very careful because they do not understand the machine.

This equipment is intended for use by personnel who are experienced with similar equipment. Always operate safely. There should be at least two qualified and trained operators at the work site. They should be positioned in safe working locations, following safety procedures and instructions, and aware of each others whereabouts. They should, also, be at least two people on site during maintenance and service procedures in case an accident should occur. Never operate any machine while under the influence of drugs or alcohol.

Keep children, bystanders and animals clear of working area. Never operate equipment that is in need of repair or adjustment.

⚠ DANGER

Torn or loose clothing is more likely to get caught in moving machinery parts. Keep such items as long hair, shirt sleeves, and shirt tails properly contained. Avoid wearing necklaces, rings, watches, and especially neckties while operating this machinery. Make sure the machine is in excellent condition, and all the guards are in place, tight and secure.

Wear all personal protection equipment and follow all safety standards per ANSI and OSHA instructions. Examples of equipment: hard hat, face shield, safety glasses, gloves, ear protection, etc. Always keep a fully charged fire extinguisher with the machine while operating or servicing the machine.

⚠ DANGER

Never go near cutter wheel or teeth while engine is running or cutter wheel is coasting to a stop.

⚠ DANGER

Before starting the machine, take a minute to check a few things. The grinder should be in an area restricted from people passing by. This area around the grinder must be free of all objects that can obstruct your movement when working with the grinder. The machine should be checked for loose tools or foreign objects, especially in the grinding area. All tools not in use should be secured in a tool box.

⚠ DANGER

Do Not start to grind a stump unless you are completely sure there are not any power lines, water lines, sewer lines, phone lines, etc. in the area above or below the ground level where you are grinding.

⚠ DANGER

Do not go near or in-line with the debris field of the stump grinder while in operation. While grinding stumps, the chips and portions of the stump fly from the cutter wheel and can cause severe injury.

⚠ WARNING

Operators **must** at all times be located within easy reach of all feed control and shut-off devices when the unit is running. They must be attentive and prepared to activate the devices.

⚠ DANGER

Never grind materials that might contain wires, stones, nails, or other metal objects which may damage the teeth and become dangerous projectiles. Remove all rocks and stones from stump grinding area.

⚠ DANGER

Before attempting any type of maintenance disengage clutch, turn off engine, wait for the cutter wheel to come to a complete stop, install the cutter wheel lock pin, disconnect battery, and make sure the ignition key is in your possession.

ALWAYS install the lock pin into the cutter lock tube before working on the grinder.

Simply slide the lock pin into the cutter wheel lock tube. This is to ensure that the cutter wheel cannot be started while you are working on the grinder. If for some reason the cutter wheel would start to turn, it would simply hit the lock pin.

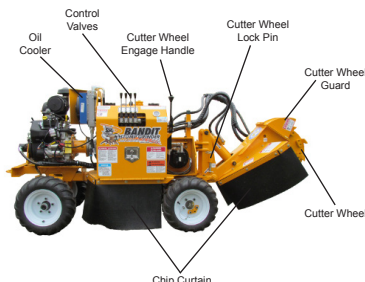
⚠ WARNING

It is very important after you have operated a new machine for approximately an hour to shut down the machine and recheck all nuts and bolts. It is normal for nuts and bolts to loosen once on a new piece of machinery. If you tighten them now, there is a good possibility they won't loosen again. Certain nuts and bolts should be checked periodically such as cutter teeth bolts, etc. for torque and fit.

Most of the nuts used on the Bandit Grinder are self locking. After a nut or bolt has been removed five times, it should be replaced to ensure proper tightness. This is especially critical on the cutter tooth bolts!

After the engine is started, let the grinder wheel turn at the lowest RPM's possible. Listen for any type of noise that is foreign. Any steel on steel noise is foreign. If you hear a noise, stop the engine, find the problem and fix it.

START-UP PROCEDURES



Position the engage handle in the disengaged position and start the engine. Let the engine warm up at 1000 RPM's. (Follow engine manual information.) The machine may show signs of vibration until the engine can set at full throttle. The engine causes most of this vibration until it is brought up to full throttle. Engage cutter wheel.

Once the engine is properly warmed up, bring the engine to full throttle. (Follow engine break-in procedures.)

Make sure to wear all personal protection equipment and follow all safety standards per ANSI and OSHA instructions. Examples of equipment: hard hat, face shield, safety glasses, gloves, ear protection, etc.

**TO BE RETURNED AFTER THIRTY (30)
DAYS OF OPERATION**

DATE PURCHASE: _____

MODEL: _____

SERIAL NUMBER: _____

DEALER NAME: _____

Please return to: Customer Data Department
6750 Millbrook Road
Remus, MI 49340

Phone: (800) 952-0178 in USA

Phone: (989) 561-2270

Fax: (989) 561-2273

E-mail: www.banditchippers.com

STUMP GRINDER QUALITY REPORT

All of the employees that build your equipment strive to manufacturer the **very best quality** product on the market. We would appreciate your efforts in letting us know how we are doing.

We would like you to operate your machine for thirty (30) days and then fill out this questionnaire and mail it to us. This will help us to keep producing a good product and improving our products through your recommendations.

1. Did your machine perform to your expectations? _____
2. Was the machine delivered on schedule? _____
3. Was the paint color and finish to your satisfaction? _____
4. Was machine equipment as ordered? _____
5. Did all welds appear to be high quality? _____
6. Was the overall machine to your liking? _____
7. What problems have you experienced? _____
8. Have any components regularly loosened that caused problems? _____
9. Does the hydraulic system seem to have adequate power? _____
10. Is the machine manufactured to accommodate service in an adequate manner? If not, please explain:

11. General comments and/or suggestions: _____

12. Would you like to be contacted concerning more of our equipment? _____

YOUR COMPANY: _____

NAME: _____

ADDRESS: _____

CITY: _____

STATE & ZIP: _____

PHONE: (____) _____

E-MAIL: _____

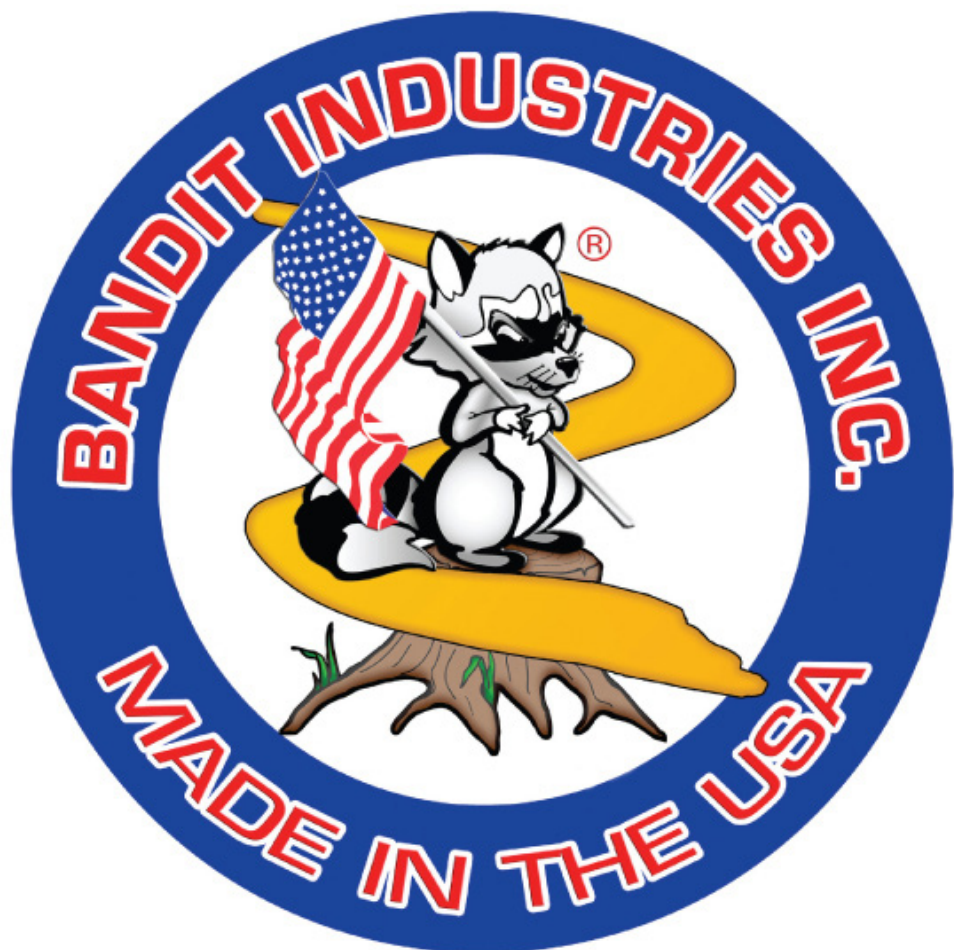


TABLE OF CONTENTS

| | PAGE |
|---|------|
| INTRODUCTION & WARRANTY | 2 |
| SERIAL NUMBER LOCATION | 6 |
| SAFETY PROCEDURES | 7 |
| EQUIPMENT SPECIFICATIONS | 11 |
| DECALS | 12 |
| CONTROLS..... | 15 |
| MACHINE OPERATION | 19 |
| TRANSPORTATION PROCEDURES | 23 |
| MAINTENANCE | 25 |
| HYDRAULIC SECTION | 37 |
| CUTTER WHEEL SECTION | 46 |
| ELECTRICAL SECTION | 48 |
| LUBRICATION & COOLANT..... | 50 |
| REPLACEMENT PARTS SECTION | 51 |
| FRAME COMPONENTS | 52 |
| CUTTER WHEEL ARM COMPONENTS | 54 |
| CUTTER WHEEL COMPONENTS | 56 |
| STEERING COMPONENTS | 58 |
| CUTTER WHEEL ENGAGEMENT LEVER COMPONENTS..... | 59 |
| FUEL TANK COMPONENTS..... | 60 |
| HYDRAULIC TANK COMPONENTS..... | 61 |
| HYDRAULIC COMPONENTS | 62 |
| SERVICE RECORD | 67 |

NOTICE

ANY PART, PORTION, DESIGN, NUMBER, SPECIFICATION, AND/OR DIMENSION IN THIS MANUAL IS SUBJECT TO CHANGE WITHOUT NOTICE BY THE MANUFACTURER.

INTRODUCTION

The purpose of this manual is to provide the user with specifications and procedures for the operation, maintenance and repair of this BANDIT product. As with any piece of equipment, safety should always be a constant thought while the machine is being operated, serviced or stored. In order to highlight this consideration, the material which addresses safety is preceded by the following signal words:

| Signal Word | Likelihood of Occurrence | Degree of Potential Injury or Damage |
|------------------|---|--------------------------------------|
| ⚠ DANGER | Will occur if warning is ignored | Severe |
| ⚠ WARNING | Can occur if warning is ignored | Severe |
| ⚠ CAUTION | Will or can occur if warning is ignored | Minor to Severe |
| NOTICE | Important, but not hazard related | Minor |

The equipment is designed and manufactured in accordance with the latest product industry standards. This alone does not prevent injury. It is the operator's responsibility to use good judgement and follow the warnings and instructions as indicated in this manual, on the machine and follow all safety standards per ANSI and OSHA instructions.

⚠ WARNING

Improper use of the product can result in severe personal injury. Personnel using the equipment must be qualified, trained and familiar with the operating procedures as defined in this manual, prior to operating the product.

⚠ WARNING

It is the responsibility of the owner or employer to ensure that the operator is trained and practices safe operation while using and servicing the machine. It is also the owner's responsibility to provide and follow a regularly scheduled preventative maintenance and repair program on the product, using only factory approved replacement parts. Any unapproved repairs or modifications may not only damage the machine and its performance, but could result in severe personal injury. Unapproved repairs or modifications will void warranty and eliminate manufacturer of any liability claims. Consult the equipment manufacturer!!!

Each machine is shipped with a manual, a customer's check sheet on the product, and any available parts & service manuals on component parts not produced by this manufacturer. Additional copies of these manuals and check sheets can be purchased from the manufacturer, or through the dealer. Engine parts, service and maintenance manuals MUST be purchased through the engine manufacturer or their dealer.

NOTICE

The producer of this Bandit product reserves the right to make any modifications or revisions to the design or specifications of its machine without advance notice. The producer also reserves the right to change machine and part prices as needed without advance notice.

EXPLANATION OF LIMITED WARRANTY

The manufacturer will not reimburse the customer or dealer labor costs incurred for installing “bolt-on” or “slip-on” items, such as hydraulic pumps and motors, control valves, flow dividers, belts, sheaves, etc. The manufacturer will provide replacement parts to the customer for defective parts during the warranty period. The manufacturer will not reimburse the customer or dealer unless prior approval has been made for expedited shipping charges for defective parts during the warranty period. **Defective parts must be returned to Bandit Industries, Inc.** It will be the customer’s responsibility to install the replacement parts unless arrangements are made with the selling dealer.

The manufacturer will not reimburse travel costs to servicing dealer unless prior approval has been obtained from the manufacturer. It is the customer’s responsibility to deliver the machine to dealer’s service facility, unless other arrangements have been agreed to between selling dealer and customer.

The manufacturer may elect, at its discretion, to reimburse reasonable labor costs to customer or dealer for major defect repairs. Diagnostic labor and overtime labor will not be covered under warranty. Prior approval must be obtained from Bandit Industries, Inc.

There are several forms that must be completely filled out and returned to us in reference to our portion of warranty. Read and understand the Bandit Limited Warranty responsibilities. Some components on your machine are covered by their respective manufacturers and cannot be handled through Bandit Industries as stated in Warranty Section of this manual.

Use this manual to help you resolve what and where your problem is, in most cases you can fix it easily. If you still have problems, work through the dealer you purchased the machine through, or contact Bandit Industries direct if needed.

Make sure the following forms are used, for us as well as you, to keep track of service and pending warranty request. It is our company policy that all parts shipped out will be invoiced until the possible warranty parts are returned with a Warranty Claim Form completed for consideration.

Make sure the Warranty Validation Form is completed and sent in to us as soon as you receive the Bandit. This will activate our warranty responsibilities.

If Warranty Validation Form is not on file, all Warranty consideration is null and void.

NOTICE

Prior to delivery to final owner and during storage, this machine must be serviced and lubricated to avoid damage that will not be covered under warranty, see “Lubrication & Coolant” page.

Also, damage or premature failure of equipment components because of incorrect or incomplete service and maintenance by the equipment owner will not be covered under warranty.

All controls, safety devices, guards, and shields must be correctly operational and securely in place at all times during equipment operation.

BANDIT INDUSTRIES INC. LIMITED WARRANTY

(989) 561-2270

Bandit Industries Inc., also referred to as “Manufacturer” warrants this new product to be free of defects in workmanship and material for a period of 1 year or 2000 operating hours, which ever comes first.

This warranty takes effect upon delivery to the original retail purchaser. The manufacturer at it's option will replace or repair at a point designated by the manufacturer, any parts which appear to have been defective in material or workmanship. The manufacturer is not responsible for labor, consequential damages, traveling or down time expenses.

This warranty and any possible liability of Bandit Industries Inc., is expressly in lieu of any other warranties, expressed or implied, including but not limited to, any implied warranty or merchantability of fitness for a particular purpose and of any noncontractual liabilities including product liabilities based upon negligence or strict liability. Bandit Industries Inc., will not be liable for consequential damages resulting from breach of warranty.

All parties involved agree that the Owner's Sole and Exclusive Remedy against the Manufacturer, whether in contract or arising out of this warranty, instructions, representations, or defects shall only be for the replacement or repair of defective parts as provided herein. In no event or circumstances shall the Manufacturer's liability exceed the purchase price of the machine. The buyer also agrees that no other remedy (including but not limited to consequential or incidental loss) shall be available to him or her.

It is absolutely necessary to return the Warranty Validation Form, completely and accurately filled out, and notify Bandit Industries Inc., in writing within ten (10) days from the date of purchase to validate this warranty. If Warranty Validation Form is not on file, all Warranty Consideration is NULL AND VOID.

This warranty will not apply if the Bandit product is not operated with replacement parts or equipment not manufactured or recommended by Bandit Industries, Inc.

This warranty will not apply if the Bandit product is not operated in a manner recommended by the manufacturer. The following examples would void the warranty:

1. The completed Warranty Validation Form is not on file.
2. The Bandit product has been abused, or not serviced properly.
3. Repairs or attempted repairs made without prior written authorization.
4. Repairs made due to normal wear are not warrantable.
5. The Bandit product was involved in, or damaged by an accident.
6. The Bandit product was damaged from any type of foreign material.

The owner is responsible for all scheduled maintenance as explained in the Operators Manuals. Negligence of proper maintenance or any other negligence, accident or fire; nor with failure to adjust, tighten, or replace wear items included but not limited to items such as teeth, teeth holders, belts, lubrication fluids, bearings, filters, hydraulic components, loose nuts or bolts, etc. may void warranty.

All components and parts being returned to Bandit Industries for warranty consideration must be complete and assembled when delivered. Hydraulic components and parts must be returned assembled with all fluid ports capped or plugged and free of foreign contamination, or warranty will not be considered.

BANDIT INDUSTRIES, INC. LIMITED WARRANTY

(989) 561-2270

NOTICE This warranty applies only to new and unused equipment or parts thereof manufactured by Bandit Industries Inc. and is void if the machine is operated with replacement parts or equipment not manufactured or recommended by Bandit Industries Inc.

All other components are warranted by their respective manufacturers (i.e. engines, axles, hydraulic pumps and motors, clutches, tires, batteries, etc.) Any machines used for lease or rental purposes warranty is limited to 90 days from the first day of initial service.

NOTICE Clutch maintenance and adjustments and engine maintenance (air filter maintenance, oil changes, oil filter maintenance, etc.) are important to your machine. Refer to the clutch or engine manual for the maintenance schedule. Failure to perform the clutch or engine maintenance will void the warranty with the respective manufacturer, Bandit Industries Inc. does not warranty these components!

CONTINENTAL U.S. INFORMATION PHONE NUMBERS FOR ACCESSORIES (NOT COVERED UNDER PRODUCT WARRANTY PROGRAM)

| | | | |
|--------------------------------------|----------------|--------------------------|----------------|
| Briggs & Stratton (Vanguard) Engines | 1-414-259-5333 | PGL Auto Clutch | 1-800-551-2938 |
| Caterpillar Engines (Thru 275Hp) | 1-800-551-2938 | PT Tech Clutch | 1-330-414-3172 |
| Caterpillar Engines (300Hp & Up) | 1-866-228-2111 | NACD, Rockford Clutch | 1-800-383-9204 |
| Continental Engines | 1-800-726-8870 | Twin Disc Clutch | 1-262-638-4000 |
| Cummins Engines | 1-248-573-1592 | Electronic Solutions | 1-866-736-6839 |
| Deutz, Lombardini Engines | 1-800-445-5273 | I.E.C. (formerly E.S.I.) | 1-815-985-0383 |
| Ford, Hatz Engines | 1-800-726-8870 | L.O.R. MFG. | 1-866-644-8622 |
| GM, Perkins Engines | 1-800-551-2938 | Miratron Inc. | 1-866-285-0132 |
| Honda Engines | 1-734-453-6258 | Omnex Radios | 1-419-294-4985 |
| John Deere Engines | 1-888-803-0549 | Kar-Tech, Inc. | 1-262-646-9444 |
| Kohler Engines | 1-800-854-9273 | Dexter Axles | 1-574-295-7888 |
| Kubota Engines | 1-800-457-7056 | Tires | 1-989-463-4088 |
| Robin Engines | 1-248-399-0002 | Caterpillar Tracks | 1-309-636-1100 |
| Wisconsin Engines | 1-800-726-8870 | Chermack Tracks | 1-715-458-2655 |
| Interstate Batteries | 1-989-684-1382 | Petro-Canada Hydrex XV | 1-888-284-4572 |

(Phone numbers for outside the continental U.S. can be supplied from your phone directory or local Bandit dealer.)

In order to process any warranty claims, it is the owner's responsibility to report the claims promptly to the Manufacturer, or our authorized dealer from whom the equipment was purchased.

It is necessary to include the following information on any and all requests for warranty:

1. Warranty Claim Form, obtained from Bandit Industries or it's dealers, completely and accurately filled out.
2. Dealer from whom purchased.
3. Date of delivery.
4. Serial number of unit.
5. Model number of unit.
6. Engine make and serial number.
7. Length of time in use (hours on machine).
8. Date of failure.
9. Nature of failure.

Bandit Industries Inc., reserves the right to alter, improve, revise or modify any parts or products with the altered, improved, revised or modified parts or products. They also may change design, specifications, or part prices without advance notice.

Bandit Industries Inc., is NOT responsible for updating or upgrading completed machines with design changes that are made after it's production.

Bandit Industries Inc., expects the Customer/Owner to bring their machine to the Dealer/Manufacturer for Warranty Repairs. The Manufacturer DOES NOT pay Dealers or Customers for bringing their machine in for repair. Nor does the Manufacturer furnish loaner machines while the unit is being repaired.

TYPICAL SERIAL NUMBER AND/OR WORK ORDER NUMBER LOCATIONS






1. Side of tank or control box
2. W/O # on pivot mount plate

NOTICE

The engine information is located on the engine block.

SAFETY PROCEDURES

DANGER

The words  Danger,  Warning,  Caution, and Notice are used on the safety decals and throughout this manual, to make you aware of the safety procedures. These procedures are very important, read and obey them.

YOUR SAFETY IS VERY IMPORTANT TO US!

This machine is equipped with safety decals, guards and designs for your protection.

Don't ever take the machine for granted, always be cautious and careful when operating your equipment.

Read and follow all the instructions in your manual thoroughly. Your safety is dependent on your knowledge of how to operate and maintain this machine. You may obtain additional copies of this manual from your Bandit Dealer.

Before operating machine, you must have all potential operators; read and understand manuals and decals, watch the video and follow the recommendations.

Regardless of how hard a manufacturer tries to produce a safe machine, accidents still happen. Normally accidents are caused by people making mistakes. They do not read the manual, they ignore warning decals or do not use lockouts provided for their safety. This normally happens after the person has become accustomed to the machinery. In the initial start up and operation of the machinery, they are cautious, they are very careful because they do not understand the machine.

This equipment is intended for use by personnel who are experienced with similar equipment. Always operate safely. There should be at least two qualified and trained operators at the work site. They should be positioned in safe working locations, following safety procedures and instructions, and aware of each others whereabouts. There should, also, be at least two people on site during maintenance and service procedures in case an accident should occur. Never operate any machine while under the influence of drugs or alcohol.

Keep children, bystanders and animals clear of working area. Never operate equipment that is in need of repair or adjustment.

DANGER

Before starting the machine, take a minute to check a few things. The grinder should be in an area restricted from people passing by. This area around the grinder must be free of all objects that can obstruct your movement when working with the grinder. The machine should be checked for loose tools or foreign objects, especially in the grinding area. All tools not in use should be secured in a tool box.

DANGER

NEVER sit, stand, lay, climb or ride anywhere on this machine while it is running, operating, or in transit. You will be injured.

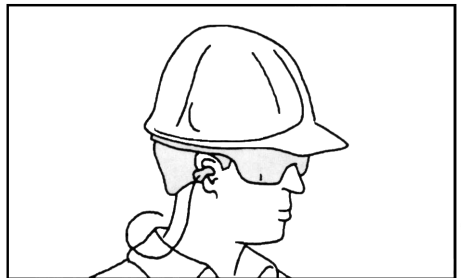
WARNING

Operators **must** at all times be located within easy reach of all control and shut-off devices when the unit is running. They must be attentive and prepared to activate the devices.

DANGER

Torn or loose clothing is more likely to get caught in moving machinery parts. Keep such items as long hair, shirt sleeves, and shirt tails properly contained. Avoid wearing necklaces, rings, watches, and especially neckties while operating this machinery. Make sure the machine is in excellent condition, and all the guards are in place, tight and secure.

Wear all personal protection equipment and follow all safety standards per ANSI and OSHA instructions. Examples of equipment: hard hat, face shield, safety glasses, gloves, ear protection, etc. Always keep a fully charged fire extinguisher with the machine while operating or servicing the machine.



WARNING



WEAR EYE & PERSONAL PROTECTION EQUIPMENT

Wear all personal protection equipment and follow all safety standards per ANSI and OSHA instructions.

SAFETY PROCEDURES

WARNING

It is very important after you have operated a new machine for approximately an hour to shut down the machine and recheck all nuts and bolts. It is normal for nuts and bolts to loosen once on a new piece of machinery. If you tighten them now, there is a good possibility they won't loosen again. Certain nuts and bolts should be checked periodically such as cutter teeth bolts, etc. for torque and fit.

Most of the nuts used on the Bandit Grinder are self locking. After a nut or bolt has been removed five times, it should be replaced to ensure proper tightness. This is especially critical on the cutter tooth bolts!

After the engine is started, let the grinder wheel turn at the lowest RPM's possible. Listen for any type of noise that is foreign. Any steel on steel noise is foreign. If you hear a noise, stop the engine, find the problem and fix it.

WARNING

It is very important after you have operated a new machine for approximately an hour to shut down the machine and recheck all hydraulic fittings. Retighten as needed.

DO NOT GO NEAR HYDRAULIC LEAKS! High pressure oil easily punctures skin causing serious injury, gangrene, or death. Avoid burns from fluid. Hot fluid under pressure can cause severe burns. DO NOT use fingers or skin to check for leaks. Lower load or relieve hydraulic pressure before loosening fittings. Relieve all pressure in the system before disconnecting the lines, hoses, or performing other work. Use a piece of cardboard to find leaks. Never use your bare hands. Allow system to cool down to ambient temperature before opening any coolant or hydraulic oil system.

In cold weather situations let your hydraulic system idle for approximately 15 minutes to allow the system to warm up to operating temperature.

WARNING

DO NOT operate this machine unless all hydraulic control devices operate properly. They must function, shift and position smoothly and accurately at all times. Faulty controls can cause personal injury!

DANGER

Keep the machine in good condition. Be sure the machine is in good operating condition and that all safety devices, including guards and shields are installed and functioning properly. Visually inspect the machine daily before starting the machine. Refer to the "Daily Start Up & Maintenance". Make no modifications to your equipment unless specifically recommended or requested by Bandit Industries Inc.

DANGER

DO NOT operate this machine indoors! Exhaust fumes can be fatal. Never refuel while the machine is running. Never refuel in the shop or building. Always refuel in a well ventilated area, away from sparks or open flames, DO NOT SMOKE. Extinguish all smoking materials. Wipe up all spilled fuel before restarting the engine. Do not fill above 1/2" (12.7mm) from top of tank.

To obtain the most from your machine, for the least amount of cost, it is a good practice to set up and follow a scheduled preventative maintenance program. It will eliminate many possible problems and down time.

CALIFORNIA

Proposition 65 Warning

Diesel engine exhaust and some of its constituents are known to the State of California to cause cancer, birth defects, and other reproductive harm.

WARNING

Never use jumper cables during freezing temperatures. Tow the machine inside and allow the battery time to warm up. If the machine must be started outside, inspect the battery acid for ice formation. Explosion will occur with a frozen battery. If the machine is going to be operated in excessively cold conditions, a larger cold cranking amp battery may be needed to ensure proper and prompt starting. Never use jumper cables in a confined or unventilated area. Battery acid fumes are explosive. Battery acid can cause severe burns. Never expose an open flame or spark near the battery. Keep all burning materials away from the battery. When servicing the battery, shield eyes and face, and do not smoke. Service in a well ventilated area.

DANGER

Before attempting any type of maintenance disengage clutch, turn off engine, wait for the cutter wheel to come to a complete stop, install the cutter wheel lock pin, disconnect battery, and make sure the ignition key is in your possession.

ALWAYS install the lock pin into the cutter lock tube before working on the grinder.

Simply slide the lock pin into the cutter wheel lock tube. This is to ensure that the cutter wheel cannot be started while you are working on the grinder. If for some reason the cutter wheel would start to turn, it would simply hit the lock pin.

SAFETY PROCEDURES

NOTICE

Engage and disengage cutter wheel at low rpm.

NOTICE

Do not attempt to start the engine or engage the engine PTO (power-take-off) system on this machine if the cutter wheel is jammed or frozen in place. If you do, you will damage or ruin the drive belts and/or the PTO which will not be covered under warranty and will cost you down time and money.

DANGER

Your machine may or may not be equipped with a clutch. Depending on the options ordered, some may be direct drive.

Do not work on the machine if the engine is running with the clutch disengaged. A clutch can self engage if either the pilot or throw-out bearing happens to seize to the main output shaft.

There are various types of clutches (PTO's) available for this type of equipment. Make sure to study the original clutch manufacturer's manual that is provided with the machine and follow its instructions for operation, service, and adjustments. Some styles require clutch engagement to be maintained so that it takes a lot of force, others will require very little force, and some are push button, electric, manual lever, or hydraulic activation. Each different style clutch (PTO) is a very expensive item that will fail if not correctly maintained and adjusted. It will be quite costly if a few minutes are not taken daily, weekly, and monthly to keep the clutch serviced as required.

The operator must take care in the engagement and disengagement of the clutch, engine RPM should always be below 1000 RPM. When the engine has sufficiently warmed up, bump the clutch handle against engagement to start the cutter wheel turning. This will have to be repeated until the cutter wheel is turning at proper ratio with engine RPM. Then push the handle all the way in gear until it locks into position securely. After engagement raise engine RPM to full throttle. Engaging and disengaging the clutch at high engine RPM will quickly and excessively wear out clutch plates as well as bearings. Refer to clutch manufacturer's manual for proper service and operation.

DANGER

Avoid moving parts. Keep hands, feet, and clothing away from power driven parts. Keep all guards and shields in place and properly secured.

DANGER

DO NOT go near the rotating cutter wheel for any reason. DO NOT go near the cutter wheel while the engine is running or the cutter wheel is coasting to a stop. Contact with a rotating cutter wheel will result in serious bodily injury or death.

DANGER

DO NOT go near or in-line with the debris field of the stump grinder while in operation. While grinding stumps, the chips and portions of the stump fly from the cutter wheel and can cause severe injury.

DANGER

Never grind materials that might contain wires, stones, nails, or other metal objects which may damage the teeth and become dangerous projectiles. Remove all rocks and stones from stump grinding area.

DANGER

DO NOT start to grind a stump unless you are completely sure there are not any power lines, water lines, sewer lines, phone lines, etc. in the area above or below the ground level where you are grinding.

WARNING

CLEAN MACHINE OF ALL DEBRIS! DO NOT leave this machine unattended until all potential fire debris is removed, no fire or smoldering exists, and hot spots are cold. The engine creates many hot spots including: exhaust manifold, exhaust, turbo (if equipped), etc. Remove all flammable debris such as wood, chips, leaves, oils, fuels, etc. from engine exhaust, engine turbo (if equipped), beside, around, and under engine, around and under tanks, inside belt shields and guards, inside battery and tool boxes, inside cabinets (if equipped), and anywhere materials collect. ALWAYS keep several type A:B:C fire extinguishers operational and on the job at all times.

WARNING

Check laws and regulations. Know and obey all federal, state, and local laws and regulations that apply to your work situation and the transportation of a machine this size.

WARNING

Sparks can occur if cutter teeth strike rocks, metal, or other hard objects.

DO NOT use in high or very high fire hazard severity zones.

Operation of this equipment may create sparks that can start fires around dry vegetation. A spark arrester may be required. The operator should contact local fire agencies for laws or regulations relating to fire prevention requirements.

WARNING

Do Not continue to operate the machine if the cutter wheel stalls. Immediately lift cutter wheel out of the stump, dirt, etc. and start again with less bite. Prolonged cutter wheel stall will ruin the hydraulic components, creating extreme heat and possible fire hazard.

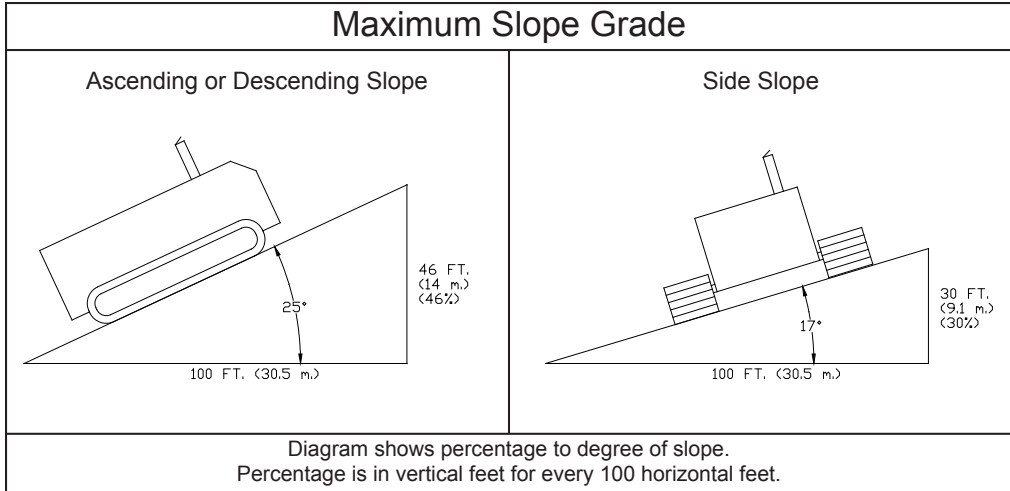
SAFETY PROCEDURES

IF MACHINE IS EQUIPPED WITH A SELF PROPELLED UNDERCARRIAGE

Machines equipped with undercarriage tracks are shipped with a manual from the track manufacturer. Refer to it for service, operation, and safety information.

⚠ WARNING

Do not attempt to operate the machine on an ascending or descending slope of more than 25° or 46% or a side slope of more than 17° or 30%, it is Dangerous and could be Fatal. This is the maximum slope grade the machine can be operated on if the hydraulic system, self propelled undercarriage, and engine are running at maximum performance and good traction is sustained.



⚠ WARNING

Any increase from the specified maximum operating angles may cause loss of lubrication function and damage the engine.

⚠ DANGER

The machine should never be parked on a slope at any time. The machine can coast or creep causing equipment and/or personal injury.

⚠ DANGER

Make sure everyone is clear of machine before moving the machine. Stay clear of undercarriage travel system when the machine is moving.

⚠ DANGER

DO NOT entangle feet or hands in undercarriage travel system.

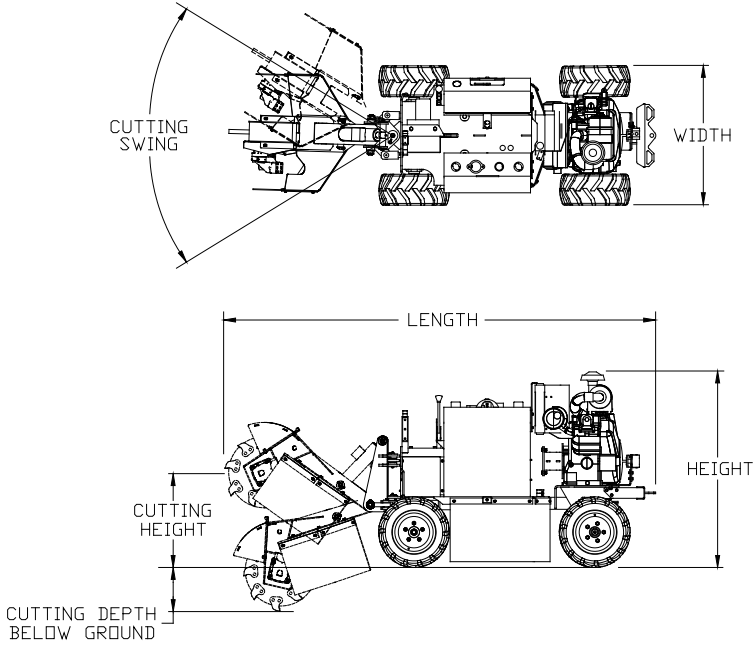
⚠ DANGER

Use **EXTREME CAUTION** when traveling over non-level surface! This machine can tip over or tip backwards on non-level surface. You will cause engine damage, machine damage and possible personal injury!

⚠ DANGER

NEVER sit, stand, lay, climb or ride anywhere on this machine while it is running, operating, or in transit. You will be injured.

EQUIPMENT SPECIFICATIONS



Approximate Dimensions & Weights

(Dimensions & weights will vary depending on optional equipment)

Approx.

Weight: Model 2250R: 1380 lbs. (625 kg)

(Approximate weights depending on engine and equipment options.)

Overall

Dimension: Model 2250R: Height: 44-1/4" (1.12 m), Length: 112" (2.84 m), Width: 35" (.89 m)

Cutting Depth: 14" (.35 m)

Cutting Height: 24-1/2" (.62 m)

Cutting Swing: 50" (1.27 m)

Number of Teeth: 24 on New River "Revolution" Wheel
 on Cutter Wheel: 18 on Green Teeth Wheel

Cutter Wheel
 Diameter with Teeth: 20" (.51 m)

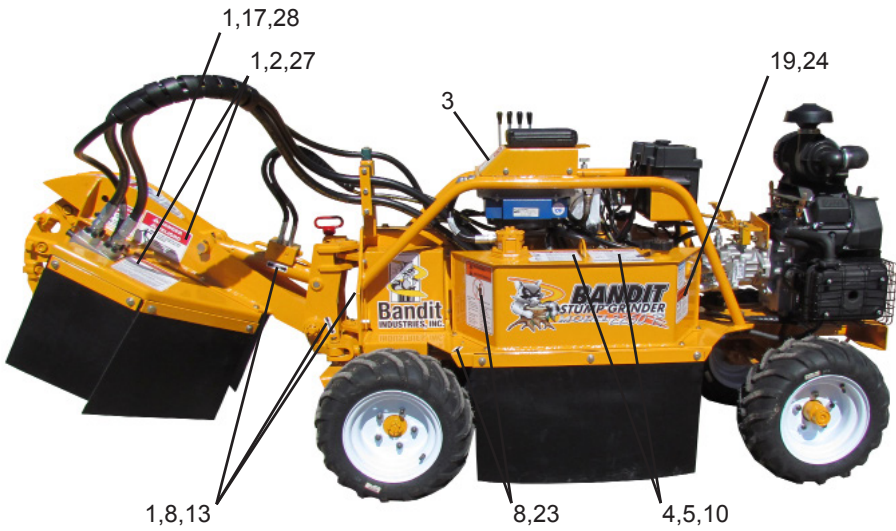
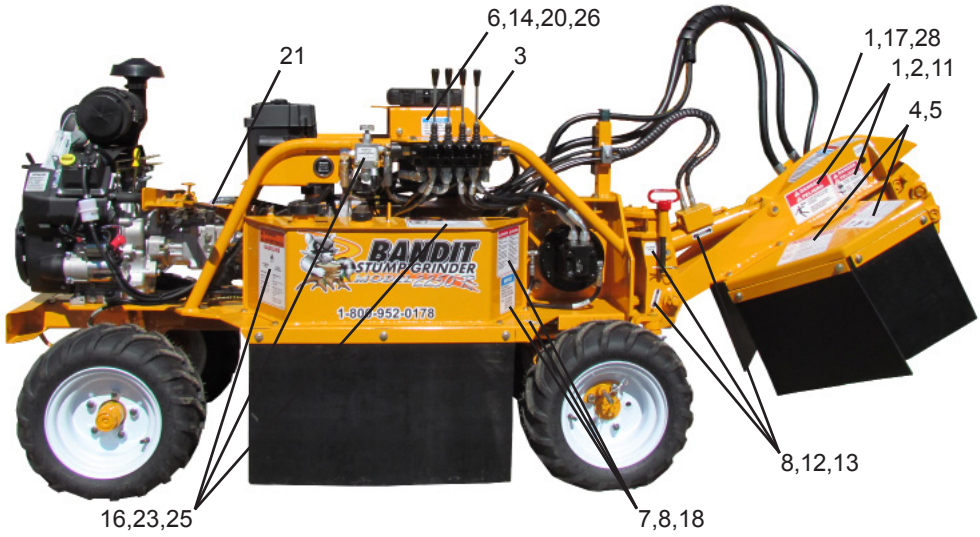
Fuel Tank Capacity: 8 3/4 Gallons (33 Liters)

Hydraulic Tank Capacity: 8 3/4 Gallons (33 Liters)

(Approximate dimension depending on equipment options.)

DECAL LOCATIONS

Decal locations may vary, these are general locations.



DECAL LOCATIONS

Modifications and/or additions of decals to this list will happen.
Consult chipper dealer or manufacturer for most current decal package.

| LOCATION | NUMBER | DESCRIPTION |
|----------|-------------|--|
| 1. | SPD-02 | Moving Parts... |
| 2. | SPD-20 | Flying Objects Stand Clear... |
| 3. | SPD-30 | Do Not Sit, Stand, Lay, Climb... |
| 4. | SPD-35 | Extreme Caution...Non-Level Surface... |
| 5. | SPD-36 | ...Debris Field... |
| 6. | SPD-38 | Do Not Entangle Feet... |
| 7. | SPD-39 | Do Not Operate... |
| 8. | INST-12 | Grease Daily (Arrow) |
| 9. | INST-44 | California Proposition 65 |
| 10. | INST-53 | Hydraulic Oil...Hydrex XV... |
| 11. | INST-73 | Cutter Head Lock Hole |
| 12. | INST-74 | Cutter Head Lock Pin |
| 13. | INST-86 | Grease Daily - Double Arrow |
| 14. | INST-88 | Controls - 4 Function |
| 15. | INST-101 | Canada Engine Decal |
| 16. | INST-285 | Hydraulic Function Speed Control... |
| 17. | N-02 | Maintain Lubrication... |
| 18. | SPN-06 | Decal Maintenance... |
| 19. | N-33 | Engine Oil Lubrication...Break-In... |
| 20. | N-55 | ...Oil Cooler Fan Starts... |
| 21. | N-58 | Engage And Disengage...At Low RPM |
| 22. | SPW-01 | Do Not Go Near Oil Leaks... |
| 23. | SPW-03 | Gasoline Fuel Only... |
| 24. | SPW-04 | Frozen Battery Can Explode... |
| 25. | SPW-08 | Wear Personal Protection... |
| 26. | SPW-09 | ...Go Slow Around Corners... |
| 27. | SPW-28 | ...Fire Hazard... |
| 28. | SPW-29 | ...Cutter Wheel Stall... |
| 29. | 900-8900-34 | Basic Safety Decal Kit (Options may require additional decals) |
| 30. | 900-8901-90 | Bandit Model 2250R Logo Decal Kit |

NOTICE

Some decals are for optional equipment. Decal locations may vary, these are general locations. If any decals become damaged, replace immediately.

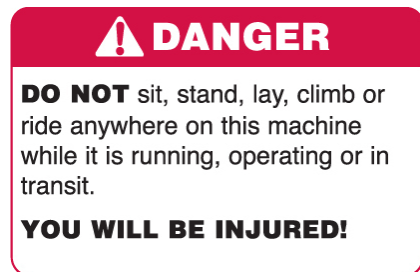
DECALS

Decals located on your Bandit equipment contain useful information to assist you in operating your equipment safely. Some of the decals on your machine and their location are shown in this section.

It is very important that all decals remain in place and in good condition on your machine. Please follow the care and instructions given below:

1. You should use soap and water to keep your decals clean. Never use mineral spirits or any other abrasive cleaners.
2. Replace immediately any missing or damaged decals. The location the decal is going to be applied to must be clean and dry, and at least 40°F (5°C) before applying decal.
3. When the need arises to replace a machine component with a decal attached, be sure and replace the decal.
4. Replacement decals are available, and can be purchased from the manufacturer or your Bandit Dealer.
5. Peel back about half of the backer paper on the decal. Position it on the flat, dry, clean surface so it is smooth and secure. Peel off the remainder of the backer paper as you continue to stick the decal on the surface.
6. Rub decal from the center outward to remove air bubbles and to secure contact.
7. Combination English / Spanish decals are typically standard. Other foreign language decals are available and may be purchased. Send translated decals required to Bandit Industries, Inc.

EXAMPLES:



ENGINE OPERATING SPEEDS

NOTICE Refer to the Completion/Check Sheet, that is shipped with the machine for the correct engine rpm. If needed, contact your local dealer or Bandit Industries.

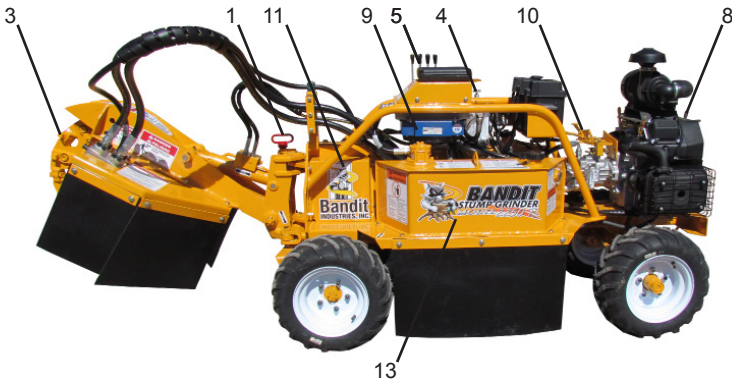
| Some Current Engine Types | Maximum RPM |
|---------------------------|-------------|
| Kohler CH730S - 27 Hp | 3600 |
| Kohler CH730S - 25 Hp | 3600 |

CONTROLS

Basic Location of Controls and Components

LOCATION SHOWN

- | | |
|----------------------------------|--|
| 1. Cutter Wheel Lock Pin | 7. Hour Meter |
| 2. Cutter Wheel Lock Pin Hole | 8. Engine Throttle & Choke (varies with engines) |
| 3. Cutter Wheel Teeth | 9. Oil Cooler Fan |
| 4. Hydraulic Speed Control Valve | 10. Cutter Wheel Engagement Lever |
| 5. Manual Controls | 11. Drive Chain Cover |
| 6. Fuel Tank | 12. Drive Lock Pin |
| | 13. Hydraulic Tank |

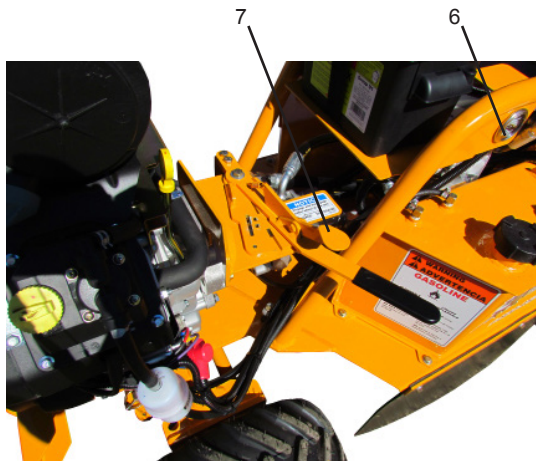
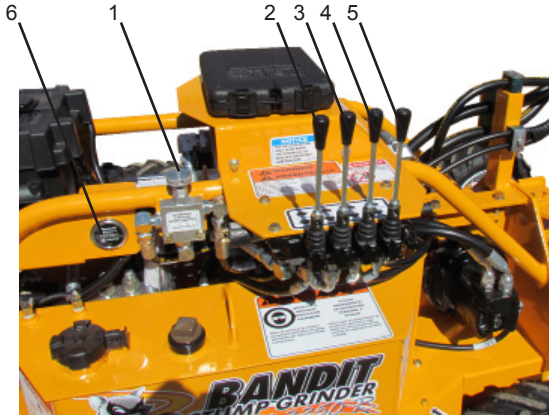


CONTROLS

Basic Location of Controls and Components

LOCATION SHOWN

1. Hydraulic Speed Control Valve
2. Steer Right / Left
3. Travel Forward / Reverse
4. Cutter Down / Up
5. Boom Travel Left / Right
6. Hour Meter
7. Cutter Wheel Engagement Lever



CONTROL OPERATING PROCEDURES

1. Hydraulic Speed Control Valve:

The Hydraulic Speed Control Valve controls the rate at which hydraulic fluid flows towards each control function such as Travel Forward / Travel Reverse, Steer Right / Steer Left, etc. By rotating the knob clockwise various function speed will slow down. By rotating the knob counter-clockwise various function speed will increase.

2. Steer Right / Left:

To steer the machine to the right, push the handle or switch, away from the operator. To steer the machine to the left, pull the handle or switch, towards the operator. The steering is stationary when the handle or switch is in the center location.

3. Travel Forward / Reverse:

To move the machine forward, push the handle or switch away from the operator. To reverse the machine, pull the handle or switch towards the operator. The machine is stationary when the handle or switch is in the center location.

4. Cutter Down / Up:

To lower the cutter wheel, push the handle or switch away from the operator. To lift the cutter wheel, pull the handle or switch towards the operator. The cutter wheel lift is stationary when the handle or switch is in the center location.

5. Boom Travel Left / Right:

To swing the cutter wheel to the left, push the handle or switch, away from the operator. To swing the cutter wheel to the right, pull the handle or switch, towards the operator. The swing is stationary when the handle or switch is in the center location.

6. Hour Meter:

Displays the number of hours the engine has been on.

7. Cutter Wheel Engagement Lever:

Before engaging or disengaging the cutter wheel, make sure the engine is at an idle. To engage the cutter wheel, press the thumb handle down and pull the lever, towards the engine. To disengage the cutter wheel, press the thumb handle down and push the lever, away from the engine.

WARNING



WEAR EYE & PERSONAL PROTECTION EQUIPMENT

Wear all personal protection equipment and follow all safety standards per ANSI and OSHA instructions.

DANGER



**FLYING OBJECTS
STAND CLEAR
OR YOU WILL BE
INJURED!**

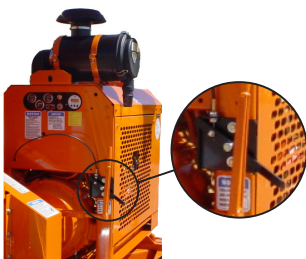
CONSULT THE ENGINE MANUFACTURER'S MANUAL FOR SPECIFIC CONTROLS, OPERATION, & MAINTENANCE FOR TYPICAL ENGINES

1. **Ignition Switch:** Turn the ignition switch key clockwise one stop (on position) to turn the electrical system on. The key should remain in the on position while the engine is running. Turn the key fully clockwise (start position) this will start the engine. To shut off the engine, return the key to the off position.
2. **On/Off Switch - Push Button Start:** Some gasoline engines may have a Toggle Switch or an On/Off Switch combined with a push button to start the engine. First turn the On/Off Switch or Toggle Switch to the on position, then depress and hold the Push Button Start until the engine starts, then release the button. To shut off the engine, return the On/Off Switch or Toggle Switch to the off position.
3. **Ignition Switch With Preheat:** The typical diesel engine may have a preheat system to assist in starting the engine during cold weather. To activate the preheat system, continue to hold the ignition key in the preheat position for 15 to 20 seconds, then attempt to start the engine. If the engine fails to start within 15 seconds, return the key to the preheat position, hold 10 seconds, and try starting again.
4. **Choke Adjustment (if equipped):** Some gasoline engines may have a choke adjustment, pull the choke lever out to choke the engine. Push the choke lever in for normal engine operations.
5. **Throttle Adjustment (if equipped):** Some engines may have a knob or a handle for the throttle adjustment. Typically you would pull the knob out, or turn the handle to increase the engine R.P.M.'s. To decrease you would push in the knob or turn the handle the opposite way.
6. **“Bandit” Lever Lock Cable Throttle System (if equipped):** The Bandit throttle system has (2) positions, HIGH and LOW. Engine R.P.M. is controlled by moving the lever from one position to the other.
7. **Push Button Or Electric Throttle System (if equipped):** Some engines may have a push button or electric throttle adjustment. Engine R.P.M. is controlled by pushing a button or switch to raise or lower the R.P.M.
8. **Alternator Warning Light:** This light will glow when the alternator is not charging, or when the ignition switch is turned on and the engine is not running.
9. **Oil Pressure Warning Light:** This light will glow when the oil pressure is to low, or when the ignition switch is turned on and the engine is not running.
10. **Engine Temperature Warning Light:** This light will glow when the engine, or engine coolant, is above normal operating temperature. If this occurs allow the engine temperature to cool down. If the engine is overheating because of a loss of coolant, or a broken fan belt, shut the engine off immediately.

NOTICE

Most engines have an automatic low oil pressure shut down device, but some engines do not for example the Lombardini 9LD. Expensive damage may occur if the engine oil level and condition is not checked daily. Follow all maintenance procedures specified by the engine manufacturer's manual. Check the fuel level daily, running out and repriming is time consuming. Do not over fill the tank, there must be expansion space in the top of the tank. Inspect hoses, fittings, lines, tanks, etc. for any oil, fuel, engine coolant, etc. leaks daily. Repair or replace any damaged or leaking components.

TYPICAL DIESEL ENGINES



BANDIT THROTTLE SYSTEM



PUSH BUTTON OR ELECTRIC
THROTTLE SYSTEM

TYPICAL GASOLINE ENGINE



MACHINE OPERATION

- Check all fluids before starting the machine.
- Make sure to go through the daily start-up and maintenance procedures before operating the machine.
- Cutter wheel must be disengaged before starting.
- Start engine at idle speed and allow for sufficient time for oil to circulate before proceeding.
- Test all controls for proper operation.
- Avoid transversing slopes.

DANGER

DO NOT OPERATE AROUND WATER LINES, GAS LINES, POWER LINES, PHONE LINES, ETC. IF IN DOUBT, CHECK BEFORE GRINDING.

DANGER

WEAR ALL PERSONAL PROTECTIVE EQUIPMENT PER ANSI, OSHA AND MANUALS.

DANGER

KEEP CLEAR OF CUTTING WHEEL, MOVING MACHINE PARTS AND GRINDER DEBRIS FIELD.

Position machine at stump with cutter wheel a slight distance away from stump.

Reduce engine RPM to idle.

If equipped, position the swing out in the operating position and lock the spring loaded pin. Also unpin the swing out chip curtain.

Raise cutter wheel clear of stump.

Engage the cutter wheel.

Increase engine RPM to full.

Test the controls for proper operation, speed, and unobstructed movement.

The cutter wheel swing speed should be adjusted to a rate that will allow cutter wheel to pass through stump smoothly. If jerking, bouncing or significant drops in engine speed occur, swing rate is too rapid and must be decreased.

Swing speed should be determined and adjusted with the controls in the full open position.

A swing speed control is located on the side of the control box of the machine to adjust this speed. Turning the dial clockwise will slow the swing action.

Travel speed should be adjusted to a rate that will allow cutter wheel to approach stump smoothly. If cutter wheel is approaching stump quickly, travel speed is too rapid and must be decreased.

Travel speed should be determined and adjusted with the controls in the full open position.

A travel speed control is located on the side of the control box of the machine to adjust this speed. Turning the dial clockwise will slow the travel speed, depending on the type of controls and when the machine was built.

Lower the spinning cutter wheel to the stump and make a few light passes at the stump to get a feel for the cutting action.

Gradually increase cutting action and work away at the stump by swinging cutter wheel left-to-right-to-left through stump in a sideways motion. Smooth, effortless cutting lengthens machine life, minimizes down time and is more profitable in the long run.

Continue cutting stump by adjusting cutting wheel progressively lower until stump is cut well below ground level.

Swing cutter wheel clear of stump and position machine closer to stump for next series of passes and continue cutting. If the machine is equipped with a tongue extension, reposition the cutter wheel with the tongue extension control.

Continue in this manner until stump has been removed.

Larger stumps may require repositioning machine to remove complete stump.

Raise cutter wheel clear of stump and return to center position.

Reduce engine speed to idle and disengage cutter wheel. **DO NOT TURN OFF MOTOR.** Engine should be allowed to cool slowly at idle for 3-5 minutes to avoid damage.

DO NOT ENGAGE OR DISENGAGE CUTTER WHEEL AT A HIGH ENGINE SPEED. Damage to machine will occur.

At low engine RPM, the cutter wheel swing speed control needs to be closed or slowed all the way down for the cutter head to swing. The direction the control knob needs to be turned will depend on the type of controls and when the machine was built.

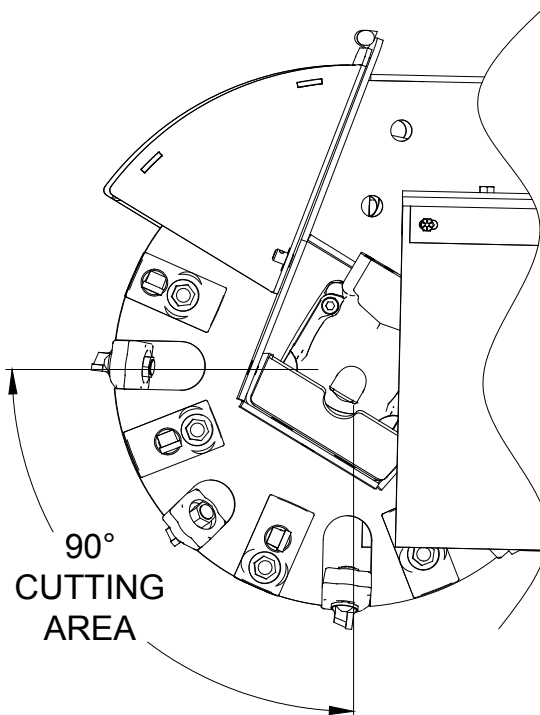
Turn off engine.

Allow cutter wheel to come to a complete stop before inspecting.

CUTTING AREA

DANGER

For optimum performance, the stump should be cut with the portion of the cutter wheel shown below. **NEVER UNDERCUT THE STUMP.** Undercutting the stump may cause severe kickback, vibration and component damage. **NEVER CUT THE STUMP FROM THE TOP.** The cutter wheel will throw debris up and toward the operator, instead of down and under the machine.



TURNING THE MACHINE

NOTICE

If the machine needs to turn in a small area, the drive lock pin can be pulled out to let the right drive tire free wheel. Only remove the drive lock pin when making a tight turn. Immediately replace the drive lock pin after the turn is achieved. The person running the machine controls should be the person to pull or replace the drive lock pin.

⚠ DANGER

Never load or unload the machine with the drive lock pin pulled out of the rim. Make sure the drive lock pin is in all the way.

⚠ DANGER

Never pull the drive lock pin or replace the drive lock pin with the cutter wheel engaged. Severe injury or death can result!

1. Pull the drive lock pin and place it in the free wheel position. See Figure 1.
2. Turn the machine.
3. Place the drive lock pin back through the rim.
4. If the drive lock pin is not lined up with the holes so the drive lock pin will go all the way in, swing the cutter wheel to the right, lower the cutter wheel to the ground, and lift the right tire off the ground. See Figure 2.
6. Turn the tire by hand so that the drive lock pin goes all the way in.
7. Lift the cutter wheel back up and swing it to center.
8. Continue transporting the machine.

FIGURE 1

Drive lock pin in the free wheel position.

Drive
Lock
Pin



FIGURE 2

Swing the cutter wheel to the right and lower it, to lift the tire off the ground so the tire will turn to get the drive lock pin to line up and go all the way in.



MOVING A MACHINE WITHOUT POWER

⚠ WARNING

Do not attempt to remove drive chain while machine is located on a incline or uneven surface. Machine will roll causing damage to persons, property and or machine.

NOTICE

Use this procedure only when the machine will not start or run to help prevent damage to the drive system. With the key in the "off" position and in your possession, follow the steps below:

1. Remove the drive sprocket cover (see Figure 1) by removing the nuts and bolts holding the cover to the frame. The drive sprocket cover will be located next to the hydraulic tank.
2. Loosen the nuts (4x) holding drive motor mount plate (see figure 2) in proper chain tension position and loosen the nuts (2x) on the drive chain tensioning adjuster bolts. Drive chain tensioning adjuster bolts are located above drive motor (see figure 2).
3. Turn chain tensioning adjuster bolts to create slack in drive chain, locate the master link in drive chain and remove. Remove drive chain from drive motor sprocket, the machine will now freewheel.
4. Reverse steps 3 thru 1 after moving the machine, reference the Monthly Maintenance section of this manual (page 27) for proper drive chain tensioning specifications.

FIGURE 1

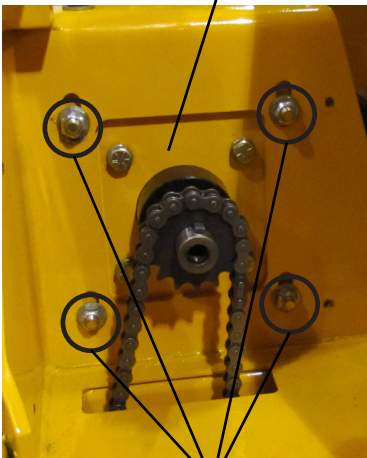
Drive Sprocket Cover



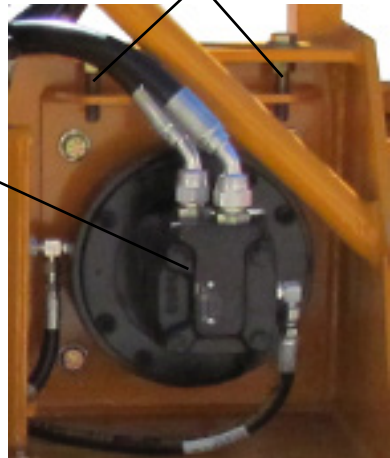
FIGURE 2

Drive Motor Mount Plate

Drive Chain Tensioning Adjuster Bolts (2x)



Drive Motor



Loosen Mount Plate Nuts (4x)

TRANSPORTATION PROCEDURES

WARNING

BEFORE TRANSPORTING THE MACHINE, INSPECT AND CONFIRM THE FOLLOWING STEPS:

1. The trailer has a cargo weight rating capacity for the weight of the stump grinder. The combined weight of the trailer and the stump grinder can not exceed the load capacity of the tires, axles, hitch coupler system or the GVWR (Gross Vehicle Weight Rating) of the trailer.
2. The towing vehicle is rated for and has the towing capabilities to haul the stump grinder package (includes the stump grinder and a trailer). The towing vehicle must be mechanically sound and capable of handling the towing job.
3. The hitch on the towing vehicle and the coupler on the trailer is a perfect match in size, type, and needed capacity.
4. Both the towing hitch and the coupler are in good mechanical and wear condition, that they are joined together securely, and the coupler/hitch is locked in place.
5. The safety chains have the correct capacity for the equipment being towed.
6. The safety chains are crossed under the coupler/hitch then securely attached to the towing vehicle. The safety chains are long enough to not restrict the turning movement, but short enough to not drag on the road.
7. The electrical plug-in on the towing vehicle and the trailer are wired for the same functions and they fit securely together. The plug-in wire is long enough to not restrict the turning movement, but short enough to not drag on the road. The trailer must have a lighting system and braking system to match and perform correctly off the towing vehicles system. You must meet the Federal and your States' Department of Transportation Code of Regulations concerning lights, brakes, and highway transit.
8. The break-away actuator (if equipped) that is installed on the trailer correctly works and is appropriately attached to the towing vehicle.
9. All lights and brakes on the trailer correctly functions when activated by the systems in the towing vehicle.
10. The tires have been checked for cuts or damaged rims, air pressure is correct, and the axle lug nuts have been checked for correct torque (refer to trailer manual).
11. When the stump grinder is on the trailer, the trailer has the right load capacity, the stump grinder is positioned on the trailer for the correct weight distribution (there should be about 15% of the total stump grinder package weight on the tongue or hitch), the stump grinder brakes are locked, the cutter wheel is resting on the trailer bed, and the stump grinder is securely bound down to the trailer bed per your States binding requirements.
12. Any loose debris, tools or parts have been cleared off or are put away.
13. Close and secure any of the following if equipped: tool box, battery box, engine cowl doors and side panels, radiator debris screens, inspection doors, cabinet doors, housing covers, tank caps and covers, vise, etc.
14. Make sure the load ramps are securely stored for transport.
15. Make sure the stump grinder's engine is not running, the ignition key is in your possession, and all controls are stored correctly and locked in place for transport.
16. The stump grinder package must be hauled level and the towing vehicle must be sized to handle hitch weight and towing weight. The towing vehicle or the combination of towing vehicle and towing package must have enough braking capacity to meet the Federal and your State Department of Transportation requirements.
17. The stump grinder package is now ready for transport. Make sure to obey all local regulation and laws regarding the transporting of this type of machine.
18. Do not drive too fast for road conditions or exceed speed regulations for equipment towing.

LOADING & UNLOADING

WARNING

BEFORE LOADING OR UNLOADING THE MACHINE, INSPECT AND CONFIRM THE FOLLOWING STEPS: When loading or unloading the self-propelled machine on the trailer, use care and caution. The maneuvering of the equipment must be slow, smooth, and intentional, not fast and jerky.

DANGER

Never load or unload the machine with the drive lock pin pulled out of the rim. Make sure the drive lock pin is in all the way.

1. Make sure the trailer and towing vehicle are parked on a flat surface. They must be stable on the surface with the brakes locked and/or the wheels chocked to avoid unwanted movement.
2. Position the loading ramps or loading gate securely between the trailer and the ground level. Have them located so that they are in line with the tires or tracks of the machine when it moves.
3. Remove and store the chains and binders used for transporting.
4. Confirm that there are not any obstacles on the trailer bed, around the trailer that may cause restricted movement of the machine or the operator.
5. The only person in the area should be the one that is operating the machine controls, and he/she should be very experienced with the controls on this machine.
6. If you are on streets, roads or public areas, position the warning cones etc, per your company's safety policy.
7. Follow all pre-startup instructions for the machine.
8. Once the engine is running at as low a speed as possible, carefully raise the cutter wheel slightly up off the ground or trailer bed. While loading or unloading the stump grinder, the cutter wheel should not be raised any higher than necessary to just clear whatever is under it. You need to keep the weight center of gravity as low as possible to avoid tipping the machine while it is moving.
9. The cutter wheel end of the stump grinder should always be positioned so that it is toward the rear of the trailer, not the tongue, during transport.
10. When the machine is positioned on the trailer bed, there should be about 15% of the total trailer package weight on the tongue or hitch.
11. Align the machine with the trailer bed, and the loading ramps. The only equipment movement should be slowly, straight on or straight off the trailer.
12. With the engine and the machine at as low of speed as possible, move the machine toward the ramp system. Make sure the alignment is correct throughout the travel, and carefully readjust the cutter wheel height so that it barely clears obstacles as it is going up or down the ramp system.
13. Properly secure the equipment and the area to avoid any possible accidents or dangers.
14. The trailer should be constructed with appropriate chain down positions for the specific sized stump grinder. You must have binders that will withstand the strain of the machine trying to move while it is being transported.
15. The loading ramps or loading gate of the trailer must be constructed to withstand the weight and forces involved in loading and unloading the machine.

MAINTENANCE SECTION

The Bandit is a very simple machine to maintain. If you will follow a regular scheduled preventative maintenance program, you should have years of trouble free operation.

DANGER

Before attempting any type of maintenance disengage clutch, turn off engine, wait for the cutter wheel to come to a complete stop, install the cutter wheel lock pin, place the cutter wheel on the ground, disconnect battery, and make sure the ignition key is in your possession.

DANGER

Do not let anyone operate or maintain this machine until they have thoroughly read this manual, reviewed the equipment decals, watched the equipment video, and has been properly trained. You can purchase additional Bandit manuals, decals and videos for a nominal fee.

NOTICE

Consult your engine manual for proper break-in procedures. Various engines require somewhat different procedures, but basically the engines need to operate at lower R.P.M.'s and loads for a specific time.

NOTICE

Failure to properly break-in your engine may result in poor bearing and piston ring surfaces.

NOTICE

The Bandit has only been run for a short time to test proper hydraulic pressures, possible leaks, etc. The fuel tank will be empty. Fuel is provided through a small auxiliary tank for testing. This immensely helps maintain safety in our manufacturing facility and while shipping.

NOTICE

Expensive damage to the Bandit will occur if proper preparation is not taken before welding on the machine. Be sure to disconnect both battery cables and the engine ECM (engine control module) before welding. Follow the specific Engine MFG. instructions for proper welding and grounding procedures, before attempting to weld on the machine. If welding on the machine, do not ground the welder through the machine bearings, ground near work to be performed.

DAILY START UP & MAINTENANCE

- 1. Check the safety decals and engine gauges:**
Replace any missing or damaged decals and/or engine gauges.
- 2. Check all safety equipment:**
Check for proper operation. Repair or replace as needed.
- 3. Check entire machine for loose bolts, nuts, parts, or components:**
Check entire machine for any loose parts or components. Check for loose nuts or bolts. Torque, tighten, or replace any of the loose components. See page 31 for specific bolt torques.
- 4. Check all guards:**
Check to make sure all guards are in place and installed correctly. Make sure they are secure.
- 5. Check the cutter wheel and pockets for wear:**
Check for elongated bolt holes, secure welds, torqued bolts, excessive wear, and impact cracks. If a problem is found, contact the grinder manufacturer or an authorized Bandit dealer.
- 6. Check condition of cutter teeth, pockets, and hardware:**
Sharpen or replace your cutter teeth to keep them sharp. Check the condition of your teeth, pockets, and hardware. Replace if necessary.
- 7. Check cutter wheel pocket bolts:**
All cutter wheel pockets bolts must be factory approved. Bolts must be replaced after a maximum of 4-5 rotations/changes to insure safe clamping ability.
See Torque Chart for proper torque.

DAILY START UP & MAINTENANCE (cont.)

8. Grease both drive axle bearings daily:

Use an EP-2 Lithium type grease only for all bearings. Grease both drive axle bearings with one shot of grease. The bearings are designed with a relief system that will not allow over greasing. In other words, you can not hurt the bearing seals by pumping in too much grease. Most of the failures related to bearings are diagnosed as "Contamination". Contamination is caused by improper lubrication. Wipe off excess grease. **Excessive grease will attract dirt.**

9. Grease cutter wheel arm pivot bushings:

Grease cutter wheel arm pivot bushings with 1 to 2 shots of EP-2 Lithium type grease. Wipe off excess grease. **Excessive grease will attract dirt.**

10. Check hydraulic oil level:

The hydraulic oil reservoir tank level should always remain 3/4 to 7/8 full. Remember to check DAILY to avoid excessive heat build up.

11. Check for any fluid leaks:

Inspect for any oil, fuel, hydraulic oil, or engine coolant leaks. Check all hoses, fittings, lines, and tanks. DO NOT use fingers or skin to check for hydraulic leaks. Repair or replace any damaged or leaking components.

12. Check hydraulic control valves:

Inspect all hydraulic control valves and ensure they operate smoothly and shift correctly.

13. Check oil cooler:

Thoroughly clean cooler fins at least once a day or more in excessive conditions. Make sure debris is not packed between fins. Use compressed air and/or pressurized water (soap may also be needed) to clean the oil cooler, depending on the level and type of debris. If pressurized water is used, be careful not to turn the debris hard and pack solid between the cooler fins. Make sure to clean the cooler in the correct direction; do not propel the debris into the cooler with compressed air or pressurized water. Keep the compressed air or pressurized water a safe distance from the cooler fins so they are not damaged. Visually inspect the cooler fins and make sure they are not bent or closed off, repair or replace as needed.

14. Check the fuel level:

Check the fuel level, running out and repriming is time consuming. Do not over fill, and you must leave fuel expansion space in the top of the tank.

15. Check engine oil and coolant level:

Follow the engine manufacturer manual recommendations for fluid levels. You **MUST** follow specific ENGINE MFG. manual recommendations for radiator coolant, additives, lubrication, correct engine speed, ETC.

16. Check air cleaner or precleaner:

Clean or replace element following engine manual recommendations. Also, check and clean the vacuator valve.

17. Check radiator, debris screen:

Thoroughly clean radiator fins at least once a day or more in excessive conditions. Make sure debris is not packed between fins. Use compressed air and/or pressurized water (soap may also be needed) to clean the radiator, depending on the level and type of debris. If pressurized water is used, be careful not to turn the debris hard and pack solid between the radiator fins. Make sure to clean the radiator in the correct direction depending on if the cooling fan is a sucker or a pusher; do not propel the debris into the radiator with compressed air or pressurized water. A partially plugged radiator will not allow the engine to cool properly. Keep the compressed air or pressurized water a safe distance from the radiator fins so they are not damaged. Visually inspect the radiator fins and make sure they are not bent or closed off, repair or replace as needed. Clean cooling fan, shroud on air cooled engines, and the debris screen (if so equipped). Improper service, maintenance, or neglect will cause overheating problems and/or engine failure. Refer to the engine manufacturer's manual.

18. Check tires:

Check tires for wear, weather checking and damage. Replace if damaged.

19. Inspect axle dust caps:

Inspect axle dust caps and replace if damaged or leaking.

20. Check around machine:

Check around the entire machine for tools, cans, saws, etc. All tools not in use should be stored in a tool box.

21. Review all safety procedures on decals, from manual, and from video.

22. Make sure all safety equipment is being worn:

Make sure you are wearing all of your safety equipment: hard hat, face shield, gloves, eye protection, ear protection, etc. per ANSI and OSHA standards.

23. Check cutter wheel engagement lever:

Make sure the cutter wheel engagement lever locks into place when the cutter wheel is engaged and that the cutter wheel does not turn or spin when the machine is started. Adjust as needed. See page 31.

24. Remember to check EVERYTHING on the checklist.

WEEKLY MAINTENANCE

1. Grease swing pivot assembly bushings:

Grease the top and bottom swing pivot assembly bushings with 1 to 2 shots of EP-2 Lithium type grease. Wipe off excess grease. **Excessive grease will attract dirt.**

2. Grease steering axle pivot bushings:

Grease steering axle pivot bushings with 1 to 2 shots of EP-2 Lithium type grease. Wipe off excess grease. **Excessive grease will attract dirt.**

3. Grease steering bushings:

Grease steering bushings with 1 to 2 shots of EP-2 Lithium type grease. Wipe off excess grease. **Excessive grease will attract dirt.**

4. Grease cylinder lug pin bushings:

Grease cylinder lug pin bushings with 1 to 2 shots of EP-2 Lithium type grease. Wipe off excess grease. **Excessive grease will attract dirt.**

5. Lubricate all steel friction areas:

Lubricate all steel friction areas including , but not limited to pivoting, hinged, sliding, rotating areas on the machine (i.e. cutter wheel guard, control box doors, drive lock pin tube, etc.).

6. Lube drive axle chain:

Use a dry lube on the drive axle chain and sprockets.

7. Check both drive axle bearing lock collars:

Check the lock collar on each drive axle bearing for tightness.

8. Check the cutter wheel hydraulic motor coupler:

Remove the cover plate over the cutter wheel hydraulic motor coupler and check the torque of the coupler bolts, see Torque Chart.

9. Check and retighten tank mount bolts:

Check and retighten the fuel tank and hydraulic tank mount bolts.

10. Check alternator and fan belts on engine (as applicable):

Adjust and maintain per the engine manufacturer's manual..

11. Check wheel lug nuts:

Keep lug nuts tight, retorque, replace if needed.

12. Lube the cutter wheel engagement lever:

Use a dry lube on the cutter wheel engagement lever

MONTHLY MAINTENANCE

1. Check drive axle bearing bolts:

Check and retighten the drive axle bearing bolts to the correct torques.

2. Check drive axle chain tension:

Check tension on the drive axle and tighten as necessary. Chain tension is 1/4" (6 mm) per foot (0.3 m) of center distance between the sprockets, NOT to exceed a 1/2" (13 mm) of deflection. Do not over tighten, which may result in hydraulic motor failure.

3. Tire air pressure:

Fill each tire to rated capacity on tire.

4. Check hydraulic function pressures:

Check, reset and maintain all hydraulic function pressure settings to a maximum of the specified PSI (bar). This will give you the best performance from the hydraulic system.



WARNING



WEAR EYE & PERSONAL PROTECTION EQUIPMENT

Wear all personal protection equipment and follow all safety standards per ANSI and OSHA instructions.

3 MONTH MAINTENANCE

1. Hydraulic oil filter(s):

Must be replaced after FIRST 10 HOURS OF OPERATION, USE A 10 MICRON FILTER. After first change replace oil filter every 3 months or 400 hours.

YEARLY MAINTENANCE

1. Grease steering wheel hub bearings:

Inspect and clean the steering wheel hub bearings, cups, and seals. Replace seals if ever removed. Replace bearings and cups as needed. Grease the wheel bearings with an EP-2 Lithium type grease. Remove rubber plug and pump grease into E-Z Lube zerk until all of the old grease is pumped out of the dust cap. Wipe off excess grease. **Excessive grease will attract dirt.**

2. Grease locking drive axle hub bearings:

Inspect and clean the locking drive axle hub bearings, cups, and seals. Replace seals if ever removed. Replace bearings and cups as needed. Grease the hub bearings with an EP-2 Lithium type grease. Wipe off excess grease. **Excessive grease will attract dirt.**

3. Fuel tank:

Drain and clean the fuel tank yearly.

4. Hydraulic oil:

Change hydraulic oil and flush the hydraulic reservoir tank.

5. Hydraulic suction screen(s):

Change hydraulic suction screen(s) yearly or every 2000 hours.

PAINT CARE

To help keep up the appearance of your Bandit equipment and reduce the possibility of surface rust follow these steps:

1. The machine should be washed on a regular basis with a non-abrasive mild detergent and then rinsed thoroughly. Do not pressure wash sensitive areas like: decals, gauges, electronic devices, autofeed control, etc.
2. If a stone chip, paint scratch, or paint crack occurs - it should be repaired immediately. Simply sand the edges of the damaged paint area, mask off the surrounding area, and apply primer and paint to the dry, clean, and warm area. This will keep the damaged area from spreading or getting worse.
3. If you are unable to sand and mask the area, there are containers of primer and paint available. A small brush can be used to touch up the area.
4. Also, primer and most colors of paint are available in aerosol spray cans to simply spray over the effected area after it is cleaned, dry, and warmed. This method is not as reliable as the process in step #2.

It is also reported that some equipment owners polish their machine at least yearly, and keep good mud flaps on their towing trucks.

DAILY START UP & MAINTENANCE CHECK LIST

Each day before starting your machine these checks must be made:

- | | OK | Repaired |
|---|--------------------------|--------------------------|
| 1. Check the safety decals and engine gauges, replace if damaged. | <input type="checkbox"/> | <input type="checkbox"/> |
| 2. Check, maintain, and service all safety equipment for proper operation. | <input type="checkbox"/> | <input type="checkbox"/> |
| 3. Check entire machine for loose nuts, bolts, and components. | <input type="checkbox"/> | <input type="checkbox"/> |
| 4. Check all guards to make sure they are tight and securely in place. | <input type="checkbox"/> | <input type="checkbox"/> |
| 5. Check the condition of the cutter wheel and teeth pockets. | <input type="checkbox"/> | <input type="checkbox"/> |
| 6. Check the condition of the cutter teeth, pockets, and hardware. | <input type="checkbox"/> | <input type="checkbox"/> |
| 7. Properly torque cutter wheel pocket bolts. | <input type="checkbox"/> | <input type="checkbox"/> |
| 8. Grease both axle bearings with 1 shot daily. | <input type="checkbox"/> | <input type="checkbox"/> |
| 9. Grease upper frame pivot bushings with 1 to 2 shots. | <input type="checkbox"/> | <input type="checkbox"/> |
| 10. Check and always maintain hydraulic level 3/4 to 7/8 full. | <input type="checkbox"/> | <input type="checkbox"/> |
| 11. Check all hoses, fittings, lines, and tanks for damage and fluid leaks. | <input type="checkbox"/> | <input type="checkbox"/> |
| 12. Check hydraulic control valves and ensure they operate and shift correctly. | <input type="checkbox"/> | <input type="checkbox"/> |
| 13. Check oil cooler. Clean as necessary. | <input type="checkbox"/> | <input type="checkbox"/> |
| 14. Check fuel level. (Running out and repriming is time consuming). | <input type="checkbox"/> | <input type="checkbox"/> |
| 15. Check engine oil, coolant levels, and correct engine speed. Follow ENGINE MANUFACTURER'S manual specs. | <input type="checkbox"/> | <input type="checkbox"/> |
| 16. Check air cleaner, precleaner, and vacuator valve. Clean as necessary. | <input type="checkbox"/> | <input type="checkbox"/> |
| 17. Check radiator and debris screen. Clean as necessary. Clean cooling fan and shroud on air cooled engines. | <input type="checkbox"/> | <input type="checkbox"/> |
| 18. Check condition of the tires. | <input type="checkbox"/> | <input type="checkbox"/> |
| 19. Inspect and replace any axle dust caps that are damaged or leaking. | <input type="checkbox"/> | <input type="checkbox"/> |
| 20. Check around the entire machine for any foreign objects, tools, cans, saws, etc. | <input type="checkbox"/> | <input type="checkbox"/> |
| 21. Review all safety procedures on decals, from manual, and from video. | <input type="checkbox"/> | <input type="checkbox"/> |
| 22. Wear all applicable safety equipment: hard hat, face shield, gloves, eye protection, ear protection, etc. | <input type="checkbox"/> | <input type="checkbox"/> |
| 23. Check cutter wheel engagement lever and adjust as needed. | <input type="checkbox"/> | <input type="checkbox"/> |
| 24. Remember to check EVERYTHING on the checklist. | <input type="checkbox"/> | <input type="checkbox"/> |

BOLT TORQUE CHART

(THESE TORQUES ARE BASED ON DRY, CLEAN THREADS)

| DESCRIPTION | BOLT SIZE | TORQUE (FT.-LBS.) | TORQUE(Nm) |
|--|------------|-------------------|------------|
| Cutter Wheel Revolution Lead Tooth Nut | 5/8"-18 NF | 200 | 271 |
| Cutter Wheel Revolution Side Tooth Nut | 5/8"-18 NF | 125 | 169 |
| Cutter Wheel Green Tooth Pocket Bolts | 5/8"-18 NF | 125 - 150 | 169 - 203 |
| Cutter Wheel Green Tooth Nut | | 20 - 28 | 27 - 38 |
| Cutter Wheel Coupler | | 30 | 41 |
| Drive Axle Bearing Lock Collar | 1/4"-28 NF | 15 | 20 |
| Engine Hold Downs | 1/2"-13 NC | 95 | 129 |
| Lug Nuts | 1/2"-20 NF | 90 - 120 | 122 - 163 |

Before tightening bolts be sure you have the correct size bolt for the correct amount of torque.
Use only factory approved knives and hardware.

WEEKLY CHECK LIST

| | OK | Repaired |
|--|--------------------------|--------------------------|
| 1. Grease the top and bottom pivot assembly bushings with 1 to 2 shots. | <input type="checkbox"/> | <input type="checkbox"/> |
| 2. Grease steering axle pivot bushings with 1 to 2 shots. | <input type="checkbox"/> | <input type="checkbox"/> |
| 3. Grease steering bushings with 1 to 2 shots. | <input type="checkbox"/> | <input type="checkbox"/> |
| 4. Grease steering axle pivot bushings with 1 to 2 shots. | <input type="checkbox"/> | <input type="checkbox"/> |
| 5. Lubricate steel friction areas: pivoting, hinged, sliding, & rotating areas (i.e. cutter wheel guard, control box doors, drive lock pin tube, etc.) | <input type="checkbox"/> | <input type="checkbox"/> |
| 6. Use a dry lube on the drive axle chain and sprockets. | <input type="checkbox"/> | <input type="checkbox"/> |
| 7. Check and retighten the lock collar on each drive axle bearing. | <input type="checkbox"/> | <input type="checkbox"/> |
| 8. Check the torque on the cutter wheel hydraulic motor coupler bolts 30 ft-lbs (41 Nm). | <input type="checkbox"/> | <input type="checkbox"/> |
| 9. Check and retighten fuel tank and hydraulic tank mount bolts. | <input type="checkbox"/> | <input type="checkbox"/> |
| 10. Check alternator and fan belts on engine, adjust, or replace. | <input type="checkbox"/> | <input type="checkbox"/> |
| 11. Check and retighten wheel lug nuts. | <input type="checkbox"/> | <input type="checkbox"/> |

MONTHLY CHECK LIST

| | OK | Repaired |
|--|--------------------------|--------------------------|
| 1. Check drive axle bearing bolts. | <input type="checkbox"/> | <input type="checkbox"/> |
| 2. Check and adjust drive axle chain tension. | <input type="checkbox"/> | <input type="checkbox"/> |
| 3. Check and fill tires to rated pressure. | <input type="checkbox"/> | <input type="checkbox"/> |
| 4. Check hydraulic function pressures. Set to specified PSI (bar). | <input type="checkbox"/> | <input type="checkbox"/> |

3 MONTH CHECK LIST

| | OK | Repaired |
|--|--------------------------|--------------------------|
| 1. Replace hydraulic filter(s) after first 10 hours then quarterly or every 400 hours. | <input type="checkbox"/> | <input type="checkbox"/> |

YEARLY CHECK LIST

| | OK | Repaired |
|---|--------------------------|--------------------------|
| 1. Inspect and clean steering wheel hub bearings, cups, and seals. Grease steering wheel hub bearings. Replace seals if ever removed. | <input type="checkbox"/> | <input type="checkbox"/> |
| 2. Inspect and clean locking drive axle hub bearings, cups, and seals. Grease locking drive axle hub bearings. Replace seals if ever removed. | <input type="checkbox"/> | <input type="checkbox"/> |
| 3. Drain and clean the fuel tank. | <input type="checkbox"/> | <input type="checkbox"/> |
| 4. Change hydraulic oil and flush the hydraulic tank. | <input type="checkbox"/> | <input type="checkbox"/> |
| 5. Replace hydraulic suction screen(s) annually or every 2000 hours. | <input type="checkbox"/> | <input type="checkbox"/> |

CUTTER WHEEL ENGAGEMENT LEVER

⚠ DANGER

Before attempting any type of maintenance disengage clutch, turn off engine, wait for the cutter wheel to come to a complete stop, install the cutter wheel lock pin, place the cutter wheel on the ground, disconnect battery, and make sure the ignition key is in your possession.

⚠ DANGER

DO NOT go near the rotating cutter wheel for any reason. Never go near cutter wheel or teeth while engine is running or cutter wheel is coasting to a stop.

CHECK THE CUTTER WHEEL ENGAGEMENT LEVER

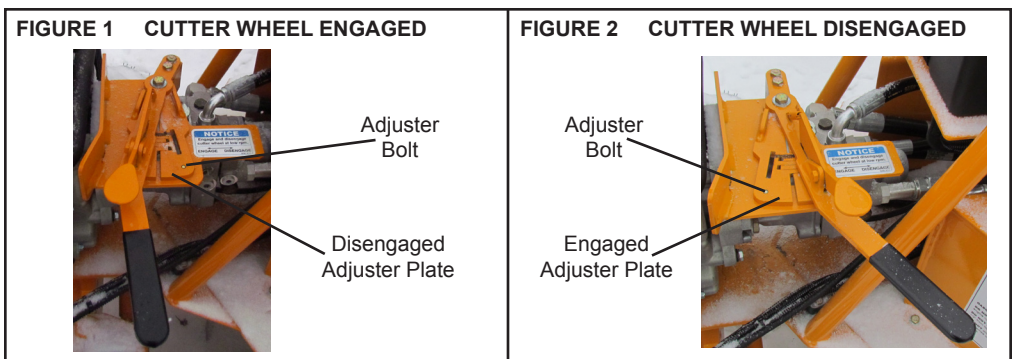
The cutter wheel engagement lever should be checked daily. The cutter wheel must not turn or spin when the machine is started. If the cutter wheel turns or spins, the cutter wheel engagement lever must be adjusted. Also make sure the cutter wheel engagement lever locks into place with the cutter wheel engaged.

CUTTER WHEEL TURNS/SPINS WHEN THE MACHINE IS STARTED

1. If the cutter wheel turns or spins when the machine is started, the lever adjuster plate needs to be adjusted.
2. Follow all daily start-up procedures.
3. Loosen the bolt on the disengaged adjuster plate shown in Figure 1.
4. With the engagement lever locked into the disengaged position (see Figure 2), move the engagement lever so that cutter wheel does not turn or spin.
5. Tighten the bolt on the lever adjuster plate.
6. Make sure the cutter wheel does not turn or spin at idle and full rpm.

CUTTER WHEEL ENGAGEMENT LEVER WILL NOT LOCK INTO THE CUTTER WHEEL ENGAGED POSITION

1. If the cutter wheel engagement lever will not lock into the cutter wheel engaged position, the lever adjuster plate needs to be adjusted.
2. With the machine off, loosen the bolt on the engaged adjuster plate shown in Figure 2.
3. Move the engaged adjuster plate, so the cutter wheel engagement lever will lock into the engaged position (see Figure 1).
4. Move the cutter wheel engagement lever away from the disengaged position as far as possible. This will ensure that the cutter wheel hydraulic pump is fully engaged.
5. Tighten the bolt on the lever adjuster plate.
6. Make sure the cutter wheel engagement lever locks into the engaged position.



LUBRICATION CHART

| # | DESCRIPTION | CHECK | | | PROCEDURE |
|----|--|-------|------|--------|---|
| | | DAY | WEEK | MONTH | |
| 1 | Drive Axle Bearings | X | | | 1 shot of grease - wipe off excess |
| 2 | Cutter Wheel Arm Pivot Bushings | X | | | 1 to 2 shots of grease - wipe off excess |
| 3 | Swing Pivot Ass'y Bushings | | X | | 1 to 2 shots of grease - wipe off excess |
| 4 | Steering Axle Pivot Bushings | | X | | 1 to 2 shots of grease - wipe off excess |
| 5 | Steering Bushings | | X | | Purge bearings daily - wipe off excess |
| 6 | Steel Friction Areas: pivoting, hinged, sliding, rolling | | X | | Lubricate (i.e. drive lock pin tube, cutter wheel engagement lever & etc) |
| 7 | Cylinder Lug Pin Bushings | | X | | 1 to 2 shots of grease - wipe off excess |
| 8 | Drive Axle Chain | | X | | Dry lube chain and sprockets |
| 9 | Steering Wheel Hub Bearings | | | Yearly | Grease until old grease is pumped out |
| 10 | Locking Drive Axle Hub Bearings | | | Yearly | Repack with grease - wipe off excess |



A right angle grease fitting may need to be used to grease some of the lubrication points. This type of grease fitting can be obtained from most local automotive parts stores.



NOTICE Use as a reference only, locations may vary depending on options or component manufacturer. Lubrication point instructions are described on the machine, in the Lubrication & Coolant Section and Maintenance Section of this manual, or component manufacturer's manual.

LUBRICATION CHART



NOTICE Use as a reference only, locations may vary depending on options or component manufacturer. Lubrication point instructions are described on the machine, in the Lubrication & Coolant Section and Maintenance Section of this manual, or component manufacturer's manual.

CUTTER WHEEL MOTOR COUPLER

DANGER

Before attempting any type of maintenance disengage clutch, turn off engine, wait for the cutter wheel to come to a complete stop, install the cutter wheel lock pin, place the cutter wheel on the ground, disconnect battery, and make sure the ignition key is in your possession.

WEEKLY MAINTENANCE

1. Remove the coupler cover plate.
2. Check to make sure the coupler socket head cap screws are torqued to 30 ft-lbs (41 Nm).

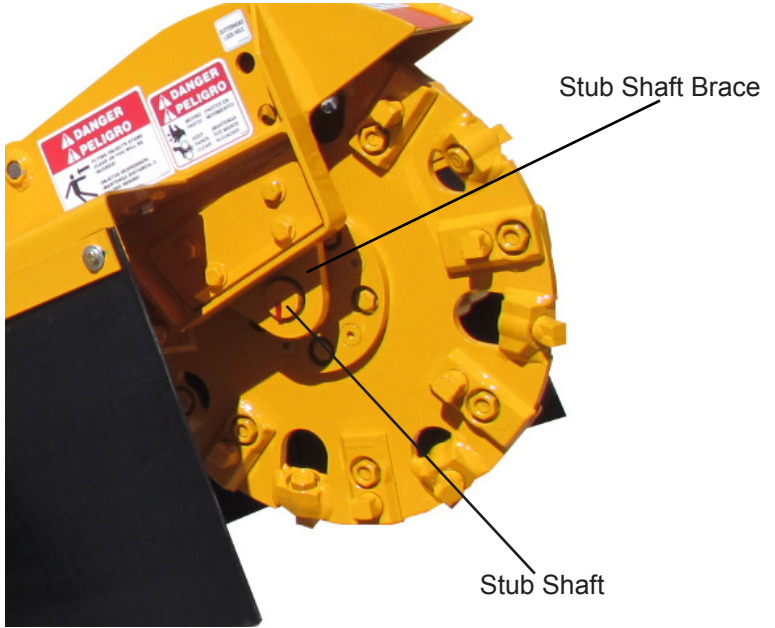
DISASSEMBLY

1. Set the cutter wheel just above the ground and then follow all shut-down procedures prior to maintenance.
2. Unpin the cutter wheel guard and flip it up.
3. Remove the screws holding the stub shaft onto the cutter wheel.
4. Remove the stub shaft brace bolts and nuts from the cutter wheel arm.
5. Remove the hydraulic motor shaft coupler screws.
6. Insert the coupler screws into the four (4) removal holes.
7. Tighten the screws to 15 ft-lbs (20 Nm) in a cross pattern.
8. Tighten the screws to 30 ft-lbs (41 Nm) in a cross pattern.
9. The coupler should come loose for removal.
10. Loosen the cutter wheel motor mount bolts.
11. Remove the cutter wheel motor from the mount bolts and the cutter wheel.
12. Remove the cutter wheel from the machine.
13. Firmly push the cutter wheel coupler from the hub. Do NOT pound it out, this will ruin the coupler.

INSTALLATION

1. Clean the hub bore and the motor shaft.
2. Do NOT use any oil, grease, or any other lubricant on the coupler, hub bore, or motor shaft.
3. Remove all the cutter wheel coupler screws, apply anti-seize on them, and install them back into the cutter wheel coupler.
4. Push the coupler into the hub of the cutter wheel by hand. Do NOT pound the coupler into the hub, this will make the coupler expand and ruin the coupler.
5. Install the cutter wheel motor bolts into the cutter wheel arm.
6. Install the cutter wheel motor onto the bolts as the cutter wheel is installed onto the cutter wheel motor shaft.
7. FOLLOW THE FOLLOWING STEPS CAREFULLY. IF THE STEPS ARE NOT FOLLOWED, THE CUTTER WHEEL COUPLER WILL NOT WORK PROPERLY, POSSIBLY CAUSING DAMAGE TO THE MACHINE.
8. Tighten the coupler socket head cap screws to 15 ft-lbs (20 Nm) in a **crossed pattern**.
9. Tighten the coupler socket head cap screws to 30 ft-lbs (41 Nm) in a **crossed pattern**.
10. Tighten the coupler socket head cap screws to 30 ft-lbs (41 Nm) in a **continuous sequence pattern**.
11. Install the stub shaft brace bolts and nuts onto the cutter wheel arm.
12. Tighten stub shaft brace bolts to 220 ft-lbs (298 Nm)
13. Install the stub shaft socket head cap screws into cutter wheel, apply Blue Loc-Tite to each screw.
14. Tighten the stub shaft socket head cap screws to 75 ft-lbs (102 Nm) in a **crossed pattern**.

CUTTER WHEEL MOTOR COUPLER



Cutter Wheel Hub

Coupler Removal Hole

Cutter Wheel



Cutter Wheel Motor Coupler

Cutter Wheel Motor Shaft

TROUBLE SHOOTING

| PROBLEM | POSSIBLE CAUSE | SOLUTION |
|---|---|---|
| Engine will not start. (See Engine Mfg. manual for further information.) | <ol style="list-style-type: none"> 1. Loose ground cable. 2. Loose hot cable. 3. Dead battery. 4. Cutter wheel was engaged before the machine engine was started. 5. Batteries in remote are dead. 6. Kill switch on remote is activated. | <ol style="list-style-type: none"> 1. Clean and tighten. 2. Clean and tighten. 3. Recharge or replace. 4. Make sure the ignition switch is off, disengage cutter wheel, and then restart the machine. 5. Replace. 6. Switch to run position. |
| Cutter wheel vibration. | <ol style="list-style-type: none"> 1. Tooth missing. 2. Pocket out of balance. 3. Improper tooth arrangement. 4. Loose hydrostatic motor bolts. 5. Bad hydrostatic motor. | <ol style="list-style-type: none"> 1. Replace missing teeth. 2. Always replace pockets in pairs across from each other. 3. Install correctly with like pairs of teeth directly across from each other. 4. Tighten and retorque. 5. Replace. |
| Cutter wheel throwing teeth. | <ol style="list-style-type: none"> 1. Bad pocket. 2. Dirt in pocket. | <ol style="list-style-type: none"> 1. Replace pocket. 2. Clean pocket and replace missing teeth. |
| Cutter wheel breaking teeth. | <ol style="list-style-type: none"> 1. Operator hitting rocks. | <ol style="list-style-type: none"> 1. Avoid rocks, stones, etc. |
| Cutter wheel stops turning. | <ol style="list-style-type: none"> 1. Bad hydrostatic motor. 2. Bad hydrostatic pump. 3. Low hydraulic pressure. 4. Debris wedged around cutter wheel. | <ol style="list-style-type: none"> 1. Replace. 2. Replace. 3. Reset pressure. 4. Clean out debris. |
| Bearing will not take grease. | <ol style="list-style-type: none"> 1. Grease fitting clogged. | <ol style="list-style-type: none"> 1. Replace. |
| Machine will not respond to remote. | <ol style="list-style-type: none"> 1. Weak or dead batteries. 2. Remote not turned on before starting the machine engine. 3. Machine is out of range of the remote. 4. Broken or damaged antenna. 5. Remote power switch is turned off. | <ol style="list-style-type: none"> 1. Replace. 2. Turn off engine, turn remote power on, and then restart the engine. 3. Move closed and make sure there are no obstructions between operator and machine. 4. Replace. 5. Shut down and restart the machine. |

HYDRAULIC SECTION

WARNING

It is very important after you have operated a new machine for approximately an hour to shut down the machine and recheck all hydraulic fittings. Retighten as needed.

DO NOT GO NEAR HYDRAULIC LEAKS! High pressure oil easily punctures skin causing serious injury, gangrene, or death. Avoid burns from fluid. Hot fluid under pressure can cause severe burns. **DO NOT** use fingers or skin to check for leaks. Lower load or relieve hydraulic pressure before loosening fittings. Relieve all pressure in the system before disconnecting the lines, hoses, or performing other work. Use a piece of cardboard to find leaks. Never use your bare hands. Allow system to cool down to ambient temperature before opening any coolant or hydraulic oil system.

In cold weather situations let your hydraulic system idle for approximately 15 minutes to allow the system to warm up to operating temperature.

WARNING

DO NOT operate this machine unless all hydraulic control devices operate properly. They must function, shift and position smoothly and accurately at all times. Faulty controls can cause personal injury!

HYDRAULIC FLUID REQUIREMENTS

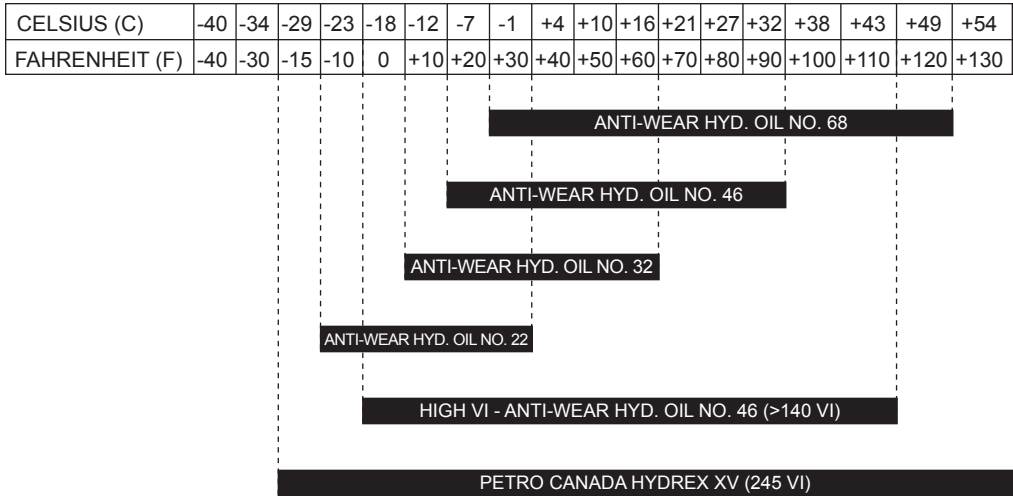
This machine is equipped with “Petro-Canada Hydrex XV” hydraulic fluid. It is recommended to replace with the same. “Petro-Canada Hydrex XV” is an all season hydraulic fluid. This is a premium performance, long life anti-wear, hydraulic fluid, designed for all season use in heavy duty hydraulic systems. “Petro-Canada Hydrex XV” allows year round use under wide extremes of temperature. It allows the hydraulic system to start at temperatures as low as -40°C/-40°F, under no load conditions and it improves lubrication of hydraulic components at high operating temperatures. It will also help protect against hydraulic failures during the wide temperature swings of spring and fall. To find the closest “Petro-Canada Hydrex XV” dealer call 1-888-284-4572.

Multi Viscosity motor oils are not recommended to mix with “Petro-Canada Hydrex XV” hydraulic oil. AW oils may mix with “Petro-Canada Hydrex XV” hydraulic oil. The following are specifications and authorizations of compatible oils. Only a high quality anti-wear (AW) hydraulic oil containing foam, corrosion, rust and oxidation inhibitors should be used. This viscosity grade depends on the oil temperature in service, based on the climate and operating conditions.

| | Hydrex XV | ISO 22, AW | ISO 32, AW | ISO 46, AW | ISO 68, AW | ISO 100, AW |
|-----------------------------------|---------------|---------------|---------------|---------------|---------------|---------------|
| Viscosity Index | >235 | >95 | >95 | >95 | >95 | >95 |
| Flash Point | >240°C /464°F | >200°C /395°F | >210°C /410°F | >220°C /430°F | >220°C /430°F | >240°C /464°F |
| Oxidations Stability (ASTM D0943) | >9,000 Hours | >3,000 Hours | >3,000 Hours | >3,000 Hours | >3,000 Hours | >3,000 Hours |
| Cold Start-up, No Load, Max | -40°C/-40°F | -34°C/-29°F | -26°C/-14°F | -19°C/-3°F | -9°C/16°F | -4°C/24°F |

HYDRAULIC SECTION

Alternate hydraulic oils are available, but they do not equal the performance or longevity of the “Hydrex XV” oil. Consult the following information supplied by the oil distributor.



NOTICE

The above chart is a suggested guide for viscosity of hydraulic fluids at start up ambient temperature. The load, demand, and cleanliness of the equipment will affect actual oil temperatures which can increase dramatically above ambient air temperatures during operation. The actual viscosity needed is based on oil temperature during operation and not air temperature. Compare your fluid specifications with the specifications below to verify compliance.

When choosing a hydraulic fluid - these maximum and minimum specifications must be met:

- Minimum Viscosity during operation = 12 cSt
- Maximum No-Load Viscosity at start-up = 2000 cSt

Hydraulic fluids vary in their resistance to oxidation at elevated temperatures, their ability to protect against metal-to-metal contact under increasing temperature, and their ability to separate water from the fluid. Viscosity is temperature dependant. Fluids with high viscosity-index (VI) will thin out slower at higher temperature and thicken slower at colder temperatures allowing a wider operating range. Choose a fluid that has test results in these areas for best results.

Based on the varying temperatures of the area where Bandit equipment is used, and the high demand and loads placed on this equipment, Bandit has filled each hydraulic system with Petro-Canada’s Hydrex XV All Season Hydraulic Fluid for maximum protection and performance.

Contact Petro Canada at (888) 284-4572 to find a dealer near you.

NOTICE

Some equipment and components such as a fluid engagement clutch (PTO) have their own lubrication requirements. Consult their manufactures manual for that information.

HYDRAULIC SECTION

TYPICAL HYDRAULIC RELIEF PRESSURE SETTINGS TYPICAL HYDRAULIC FLOWS AND RPM SETTINGS (Approximate, For Reference Only, Engine At Full RPM)

| | |
|-----------------------------------|---------------|
| Equipment Model | 2250R |
| Cutter Wheel Pump GPM (LPM) | 138 (143) |
| Function Pump GPM (LPM) | 5 (18) |
| Function Main Relief PSI (bar) | 1600 (110) |
| Cutter Wheel PSI (bar) | 3000 (206) |
| Cutter Wheel RPM | 1900 |

NOTICE

DO NOT UNDER ANY CIRCUMSTANCES OVER-SET THESE RELIEF PRESSURES, BECAUSE IT WILL CAUSE DAMAGE TO COMPONENT PARTS AS WELL AS HYDRAULIC PARTS.

NOTICE

These typical hydraulic flows and relief pressure settings are with the engine at full RPM. All settings are subject to change!

⚠ CAUTION

After the initial start-up of the machine and after any replacement of hydraulic components, that fittings and hoses should be re-checked for leaks and clearances.

⚠ WARNING



DO NOT GO NEAR LEAKS!

- Pressured oil easily punctures skin causing injury, gangrene or death.
- Seek immediate medical care.
- Do not use finger or skin to check for leaks.
- Remove hydraulic pressure or load before loosening fittings.

NOTICE

THE OIL COOLER FAN
ONLY RUNS WHEN
THE HYDRAULIC OIL
REACHES OPERATING
TEMPERATURE.

HYDRAULIC SECTION

THE BANDIT HYDRAULIC SYSTEM

The Bandit is equipped with a very efficient, simple hydraulic system. Each component is capable of withstanding a specified PSI (bar) and still operate for a very long time.

If the simple rules mentioned below are followed, the hydraulic components will last for years:

- After you have operated a new machine for approximately an hour shut down the machine and recheck all hydraulic fittings for tightness and leaks.
- Avoid hydraulic pump cavitation. Low oil levels or cold start-ups will cause the hydraulic pump to cavitate. Cavitation will ruin the pump and possibly the entire hydraulic system. Cavitation only has to happen once. This will start the pump on its way to ruin. Allow hydraulic system to turn slowly for several minutes in cold weather in order for hydraulic system to warm up. Cavitation is not covered under warranty.
- Do not increase the relief valve settings beyond specified PSI (bar). This will cause damage to hydraulic components. Do not set any other hydraulic component past it's specified pressure or this will cause damage to the hydraulic components.
- Keep hydraulic oil clean. Dirty oil will cause excessive wear and loss of hydraulic power.
- Replace the hydraulic oil filter(s) after first 10 hours and with each 400 hours of operation or 3 months.

- Replace hydraulic oil & suction screen(s) at least once yearly. This is also a very good time to flush and clean the tank. Replace hydraulic oil immediately if it is contaminated or looks "milky". See pages 37 - 38 for hydraulic oil requirements.
- If the Bandit's hydraulic system is kept clean and the hydraulic pressures are not increased beyond the specified PSI (bar), the maximum use and life should be received from the Bandit grinder hydraulic system.
- If a problem is encountered, it will more than likely be located in the relief valve or something as simple as belts or clutch slipping, check these first.
- Do not close the hydraulic shut-off valve for more than 3 to 4 seconds. Hydraulic shut-off valve handle must be completely turned on (in line with hose) at all times unless checking hydraulic pressure. Pressure gauge should be safely stored and installed only when checking pressure. Follow above instructions or this will cause unwarranted damage to the hydraulic components.
- Never close the ball valves on the hydraulic tank suction ports (if equipped) while the machine is running, this will ruin the hydraulic pump and components.
- Some component manufacturers require different specific hydraulic lubrication, such as gear boxes, undercarriage drives, etc. Refer to their manuals and maintenance section of this manual.

⚠ WARNING



DO NOT GO NEAR LEAKS!

- Pressured oil easily punctures skin causing injury, gangrene or death.
- Seek immediate medical care.
- Do not use finger or skin to check for leaks.
- Remove hydraulic pressure or load before loosening fittings.

⚠ CAUTION

After the initial start-up of the machine and after any replacement of hydraulic components, that fittings and hoses should be re-checked for leaks and clearances.

HYDRAULIC SECTION

WARNING

It is very important after you have operated a new machine for approximately an hour to shut down the machine and recheck all hydraulic fittings. Retighten as needed.

DO NOT GO NEAR HYDRAULIC LEAKS! High pressure oil easily punctures skin causing serious injury, gangrene, or death. Avoid burns from fluid. Hot fluid under pressure can cause severe burns. **DO NOT** use fingers or skin to check for leaks. Lower load or relieve hydraulic pressure before loosening fittings. Relieve all pressure in the system before disconnecting the lines, hoses, or performing other work. Use a piece of cardboard to find leaks. Never use your bare hands. Allow system to cool down to ambient temperature before opening any coolant or hydraulic oil system.

In cold weather situations let your hydraulic system idle for approximately 15 minutes to allow the system to warm up to operating temperature.

WARNING

DO NOT operate this machine unless all hydraulic control devices operate properly. They must function, shift and position smoothly and accurately at all times. Faulty controls can cause personal injury!

NOTICE

Some equipment and components such as fluid engagement clutch's (PTO's) have their own lubrication requirements. Consult their manufactures manual for that information.

DANGER

Before attempting any type of maintenance disengage clutch, turn off engine, wait for the cutter wheel to come to a complete stop, install the cutter wheel lock pin, place the cutter wheel on the ground, disconnect battery, and make sure the ignition key is in your possession.

NOTICE

DO NOT UNDER ANY CIRCUMSTANCES OVER-SET THESE RELIEF PRESSURES, BECAUSE IT WILL CAUSE DAMAGE TO COMPONENT PARTS AS WELL AS HYDRAULIC PARTS.

NOTICE

These typical hydraulic flows and relief pressure settings are with the engine at full RPM. All settings are subject to change!

CAUTION

After the initial start-up of the machine and after any replacement of hydraulic components, that fittings and hoses should be re-checked for leaks and clearances.

NOTICE

When returning hydraulic components for warranty make sure to box up all warranted parts to avoid additional damage while shipping. **Do not disassemble any hydraulic components which are to be warranted.** Anything which has been disassembled or tampered with will not be warranted. Items being returned must be clean. All hydraulic components must have all hosing ports plugged. Failure to plug ports will allow debris to enter components which will void warranty.

NOTICE

In cold weather situations, let the hydraulic system idle for approximately 15 minutes to allow the system to warm up to operating temperature. Running cold oil through the hydrostatic motor can raise the case drain pressures and damage the shaft seals.

CHECKING HYDRAULIC PRESSURE

The relief valve is typically located internally in the valve bank. Do not adjust the relief valves above the specified psi (bar). The relief valve system is a simple spring tension design but small pieces of debris can stick the valve partially open which weakens the hydraulic power. The relief as well as hydraulic oil, and suction screen must be kept clean.

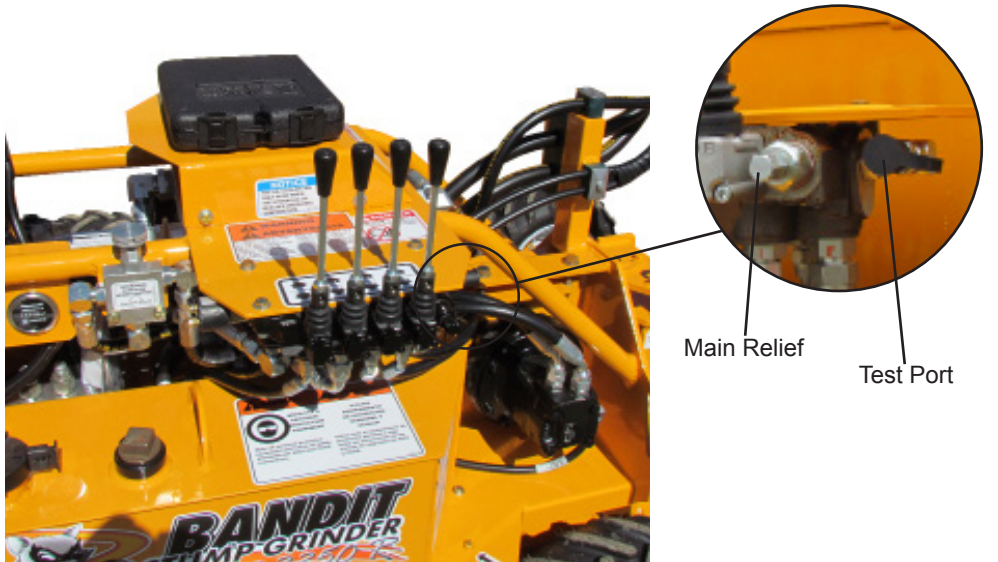
⚠ WARNING

Before attempting any hydraulic pressure settings, make sure engine is shut off, engine key removed and in your possession, hydraulic oil is clean, hydraulic tank is 3/4 to 7/8 full, and the machine has been pre-run to warm the hydraulic oil. To correctly check relief valve pressure, gauge MUST be installed correctly.

CHECKING HYDRAULIC FUNCTION PRESSURE

1. Make sure all the controls are in the off position.
2. Install pressure gauge into the test port. See figure 1 for test port location.
3. Start engine and adjust engine to full throttle.
4. Pull the cutter wheel lift control lever towards the operator so that the cylinder bottoms out and then read the pressure gauge.
5. Adjust relief if necessary. Turn the relief clockwise to increase pressure and counter-clockwise to decrease the pressure.

FIGURE 1



NOTICE

Parts may not be exactly as shown.

CHECKING HYDRAULIC PRESSURE cont.

The relief valve is typically located internally in the valve bank. Do not adjust the relief valves above the specified psi (bar). The relief valve system is a simple spring tension design but small pieces of debris can stick the valve partially open which weakens the hydraulic power. The relief as well as hydraulic oil, and suction screen must be kept clean.

WARNING

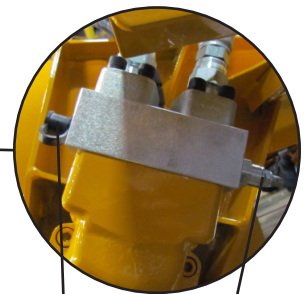
Before attempting any hydraulic pressure settings, make sure engine is shut off, engine key removed and in your possession, hydraulic oil is clean, hydraulic tank is 3/4 to 7/8 full, and the machine has been pre-run to warm the hydraulic oil. To correctly check relief valve pressure, gauge MUST be installed correctly.

CHECKING CUTTER WHEEL PRESSURE

1. Make sure all the controls are in the off position.
2. Install the cutter wheel lock pin
3. Place the cutter wheel on the ground.
4. Install pressure gauge into the test port and start the engine. See figure 2 for test port location.
5. Engage the cutter wheel by pressing the thumb handle down and pull the lever, towards the engine.
6. Adjust engine to full throttle.
7. Adjust relief if necessary. Turn the relief clockwise to increase pressure and counter-clockwise to decrease the pressure.

FIGURE 2

Cutter Wheel
Lock Pin Hole



Test Port

Main Relief

NOTICE

Parts may not be exactly as shown.

HYDRAULIC SYSTEM TROUBLE SHOOTING

Before attempting any type of maintenance disengage clutch, turn off engine, wait for the cutter wheel to come to a complete stop, install the cutter wheel lock pin, place the cutter wheel on the ground, disconnect battery, and make sure the ignition key is in your possession.

| PROBLEM | POSSIBLE CAUSE | SOLUTION |
|--|---|--|
| Hydraulic oil very hot, causing system to operate slowly. | <ol style="list-style-type: none"> 1. Dull teeth. 2. Low oil level. 3. Worn pump. 4. Poor oil quality. 5. Damaged hose. 6. Oil suction screen or filter plugged. 7. Oil cooler plugged. 8. Binding. | <ol style="list-style-type: none"> 1. Replace teeth. 2. Fill 3/4 - 7/8 full minimum. 3. Replace. 4. Replace. 5. Replace. 6. Replace. 7. Clean. 8. Repair. |
| Hydraulic system loss of power. | <ol style="list-style-type: none"> 1. Low oil level. 2. Cable out of adjustment. 3. Poor oil quality. 4. Bad cylinder. 5. Bad pump. 6. Bad motor. 7. Relief stuck open. | <ol style="list-style-type: none"> 1. Fill 3/4 - 7/8 full minimum. 2. Adjust or replace. 3. Replace. 4. Replace or repair. 5. Replace. 6. Repair or replace. 7. Clean or replace. |
| Hydrostatic motor is leaking. | <ol style="list-style-type: none"> 1. Bad shaft seal. 2. Loose or cracked fitting. | <ol style="list-style-type: none"> 1. Replace and check for back pressure. 2. Tighten or replace. |
| Swing cylinder loss of power. | <ol style="list-style-type: none"> 1. Cutter wheel speed adjustment screw turned wide open. 2. Bad cylinder. | <ol style="list-style-type: none"> 1. Screw in speed adjustment screw to close bypass. Readjust for "no bounce" cutting. 2. Repair or replace. |
| Cutter wheel swings faster one way than the other way. | <ol style="list-style-type: none"> 1. Counter balance valve is out of adjustment. 2. Bad cylinder. | <ol style="list-style-type: none"> 1. Replace. 2. Repair or replace. |
| Cutter wheel does not stay in up position, creeps down. | <ol style="list-style-type: none"> 1. Counter balance is out of adjustment. 2. Bad cylinder. | <ol style="list-style-type: none"> 1. Adjust counter balance valve or replace counter balance cartridge. 2. Repair or replace. |
| Cutter wheel turns while disengaged. | <ol style="list-style-type: none"> 1. Cutter wheel engagement lever cable too tight. | <ol style="list-style-type: none"> 1. Adjust cable so that the cutter wheel engages and disengages completely. |

NOTICE

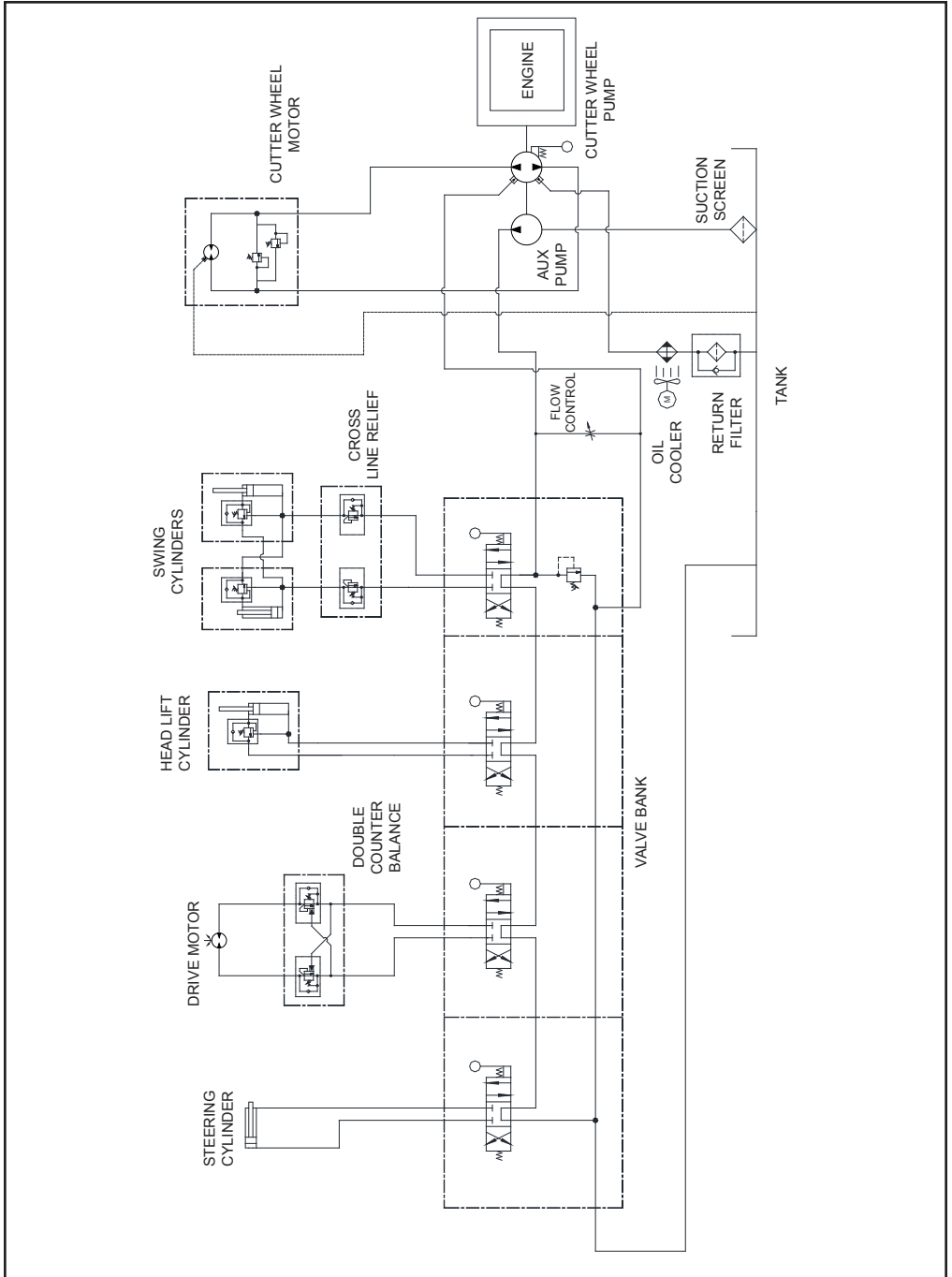
In cold weather situations, let the hydraulic system idle for approximately 15 minutes to allow the system to warm up to operating temperature. Running cold oil through the hydrostatic motor can raise the case drain pressures and damage the shaft seals.

NOTICE

When returning hydraulic components for warranty make sure to box up all warranted parts to avoid additional damage while shipping. **Do not disassemble any hydraulic components which are to be warranted.** Anything which has been disassembled or tampered with will not be warranted. Items being returned must be clean. All hydraulic components must have all hosing ports plugged. Failure to plug ports will allow debris to enter components which will void warranty.

MODEL 2250R

SPECIFIC SCHEMATIC FUNCTION MAY VARY DEPENDING ON OPTIONS OR COMPONENT MANUFACTURE.



NOTICE

Parts may not be exactly as shown.

NEW RIVER “REVOLUTION” CUTTER WHEEL

DO NOT OPERATE MACHINE WITHOUT A FULL SET OF TEETH. OPERATING MACHINE WITHOUT A FULL SET OF TEETH CAN CAUSE EXCESSIVE VIBRATION AND PREMATURE BEARING FAILURE.

Use only original equipment manufacturer’s teeth. The use of any other aftermarket teeth may cause damage or premature failure to the drive train.

There are twenty-four (24) teeth, twenty-four (24) tooth nuts, and sixteen (16) holders to a complete set on a model 2250R. Twenty-four (24) teeth: eight (8) lead teeth (shorts) and sixteen (16) side teeth (longs). Sixteen (16) holders: eight (8) holders without locator pin and eight (8) holders with locator pin.

A locking pin is provided to hold the cutter wheel in position during tooth removal and reinstallation. Locking pin will only lock on outer teeth.

⚠ DANGER

NEVER USE HAND ON CUTTER WHEEL TO HOLD IN PLACE WHILE CHANGING TEETH. BE SURE TO REMOVE LOCKING PIN BEFORE OPERATING THE MACHINE.

NOTICE

Do Not operate machine with extremely worn or broken teeth.

MODEL 2250R TOOTH ARRANGEMENT

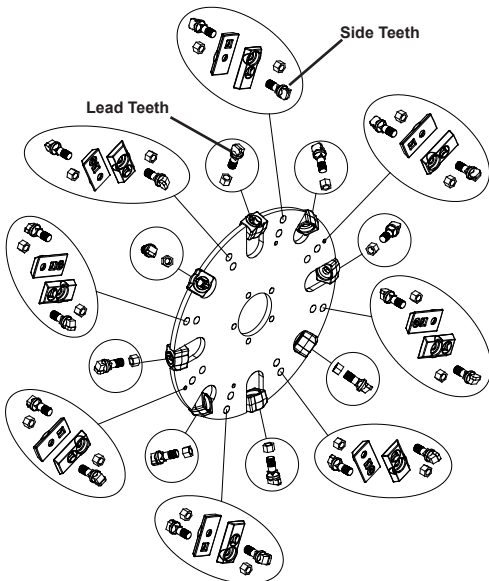
Inspect teeth, nuts and pockets for damage and replace as required.

When replacing teeth, always replace new teeth across from each other (180°) in order to prevent vibration.

Replacement teeth must be carbide tipped and of like design as provided with the machine.

To make sure the correct tooth pattern is used, make sure a pocket with a locator pin is used on a station with a locator pin hole. Use the pockets without the locator pin on a station without the locator pin hole.

When replacing complete set of teeth, be sure to duplicate original factory tooth arrangement, with the carbide tip facing the cutter wheel rotation. Typically a 15/16” socket is required to change or torque the teeth. Torque Lead Teeth to 200 ft.-lbs. (271 Nm) and Side Teeth to 125 ft.-lbs. (169 Nm).



MODEL 2250R

| | |
|----------------------------|-------------|
| Lead Tooth “Shorts”: | 900-9912-22 |
| Side Tooth “Long”: | 900-9912-22 |
| Pocket without locator pin | 900-9912-26 |
| Pocket with locator pin: | 900-9912-25 |
| Tooth Nut: | 900-9909-99 |

CUTTER WHEEL SECTION - GREEN TEETH

DO NOT OPERATE MACHINE WITHOUT A FULL SET OF TEETH. OPERATING MACHINE WITHOUT A FULL SET OF TEETH CAN CAUSE EXCESSIVE VIBRATION AND PREMATURE BEARING FAILURE.

Use only original equipment manufacturer's teeth. The use of any other aftermarket teeth may cause damage or premature failure to the drive train.

There are eighteen (18) teeth and pockets to a complete set on a model 2250R. Eighteen (18) teeth, six (6) straight pockets and twelve (12) angle pockets.

A locking pin is provided to hold the cutter wheel in position during tooth removal and reinstallation. Locking pin will only lock on outer teeth.

⚠ DANGER

NEVER USE HAND ON CUTTER WHEEL TO HOLD IN PLACE WHILE CHANGING TEETH. BE SURE TO REMOVE LOCKING PIN BEFORE OPERATING THE MACHINE.

NOTICE

Do Not operate machine with extremely worn or broken teeth.

MODEL 2250R TOOTH ARRANGEMENT

Inspect pockets, teeth and bolts for damage and replace as required.

When replacing pockets, always replace new pockets across from each other (180°) in order to prevent vibration.

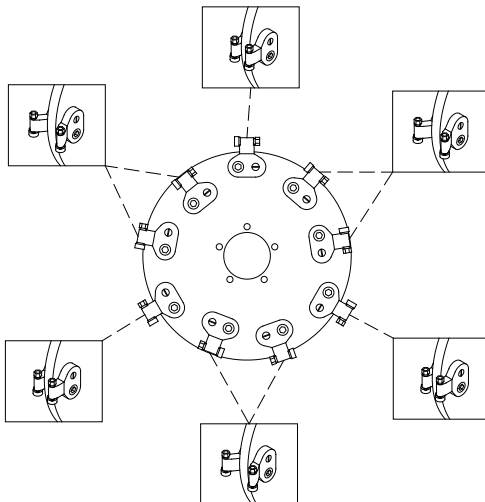
Replacement teeth must be carbide tipped and of like design as provided with the machine.

Use anti-seize on threads to help prevent bolts from "freezing up" in cutter wheel pockets.

When replacing complete set of teeth, be sure to duplicate original factory tooth arrangement. Typically a 1/2" allen key socket is required to change or torque the teeth. Torque pocket bolts to 125-150 ft.-lbs. (169-203 Nm). Torque tooth nut to 20-28 ft.-lbs. (27-38 Nm).

All Outside Pockets require a straight pocket mounted on each side of the cutter wheel. There are three outside pockets on each side of the cutter wheel.

All Inside Pockets require an angle pocket mounted away from the cutter wheel.

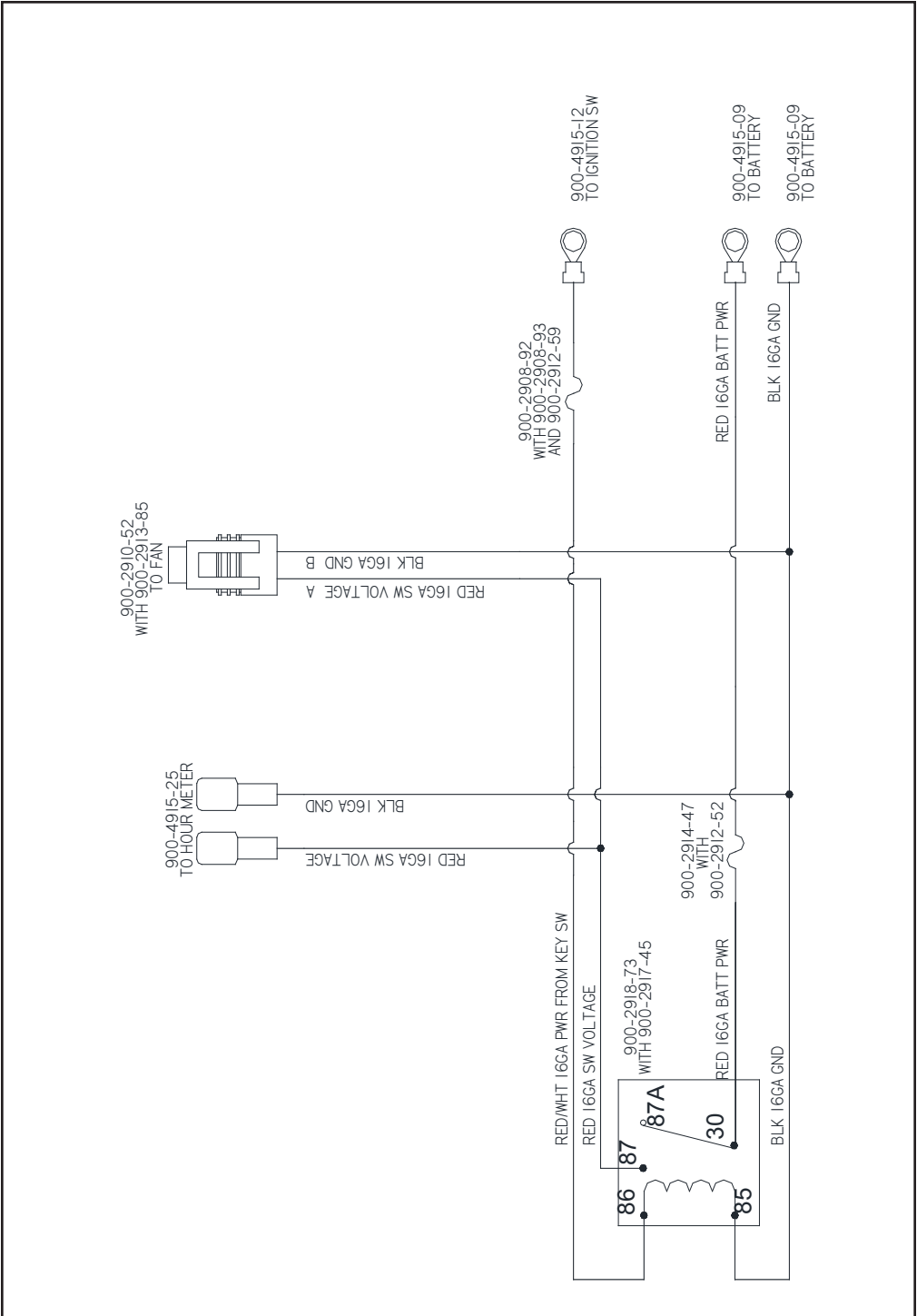


MODEL 2250R

| | |
|-----------------------|-------------|
| Green Tooth With Nut: | 900-9907-76 |
| Straight Pocket: | 900-9907-05 |
| Angle Pocket: | 900-9907-04 |
| Pocket Bolt: | 900-9907-14 |
| 18 Tooth Kit: | 900-9907-15 |

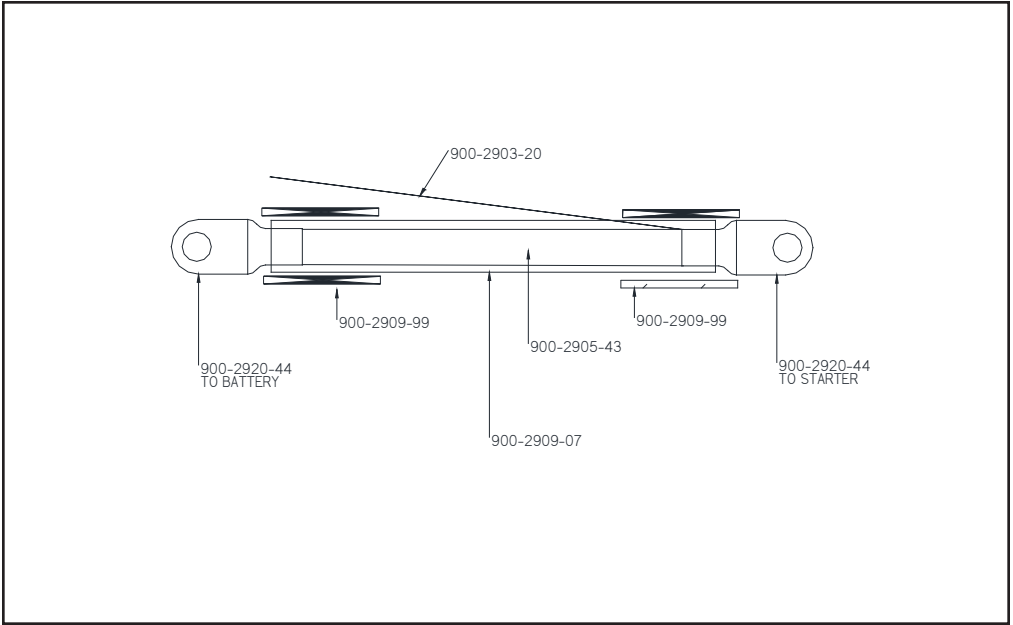
2250R MACHINE HARNESS (206-8000-01)

SPECIFIC SCHEMATIC FUNCTION MAY VARY DEPENDING ON OPTIONS OR COMPONENT MANUFACTURE.



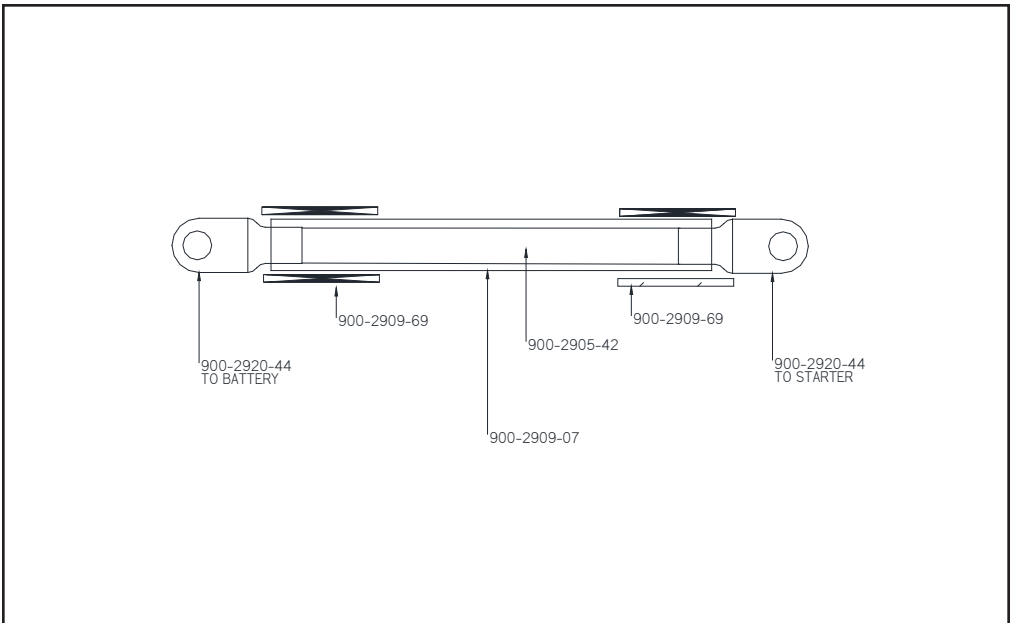
2250R POSITIVE BATTERY CABLE (206-8000-02)

SPECIFIC SCHEMATIC FUNCTION MAY VARY DEPENDING ON OPTIONS OR COMPONENT MANUFACTURE.



2250R NEGATIVE BATTERY CABLE (206-8000-03)

SPECIFIC SCHEMATIC FUNCTION MAY VARY DEPENDING ON OPTIONS OR COMPONENT MANUFACTURE.



LUBRICATION & COOLANT

1. **Engine:** Follow original equipment manufacturer's requirements for both changing oils and filters, refer to engine manual specifications.
2. **Engine Coolant:** Refer to engine manufacturer's manual specifications.
3. **Hydraulic Reservoir Tank:** Completely change hydraulic oil, suction screen(s), and flush the tank annually. Change hydraulic oil filter AFTER FIRST 10 HOURS OF OPERATION. Then change hydraulic oil filter every 3 months or 400 hours thereafter. Maintain hydraulic oil level 3/4 to 7/8 full. See hydraulic oil requirements below. Check hydraulic oil level in tank daily.
4. **Hydraulic Fluid Requirements:** See pages 37 - 38 for hydraulic fluid requirements.
5. **High Pressure & Charge Filters:** Change high pressure and charge filters AFTER FIRST 10 HOURS OF OPERATION. Then change high pressure and charge filters every 3 months or 400 hours thereafter. There are three located under the oil cooler housing cover and the inspection cover between the hydraulic tank and the control box.
6. **Axle Bearings:** Use an EP-2 Lithium type grease only for all bearings. Grease both axle bearings daily with one shot of grease. The bearings are designed with a relief system that will not allow over greasing. In other words, you can not hurt the bearing seals by pumping in too much grease. Wipe off excess grease. **Excessive grease will attract dirt.**

Most of the failures related to bearings are diagnosed as "Contamination". Contamination is caused by improper lubrication.

Especially important is proper lubrication when the machine is setting idle. The bearings must be fully purged when shut down. Then the bearings must be again fully purged each thirty (30) days and the machine allowed to run for approximately 10 minutes. Then fully purged again before the machine is put back into operation. Failure to do this will ruin the bearings. Bearings corrode when the machine is setting idle.

The second largest cause of bearing failure is operating them at high speeds when the grease is cold. This causes the bearing race to turn on the shaft. Naturally this ruins the bearing as well as the shaft. Allow the bearings to turn at slower speeds for at least five minutes. Also check the bearing lock collar set screws or bearing locknut for tightness each 30 days. Loose set screws or locknut allows the race to turn on the shaft. Failed bearings diagnosed as contamination or cold starts at high speed are not covered by warranty of the bearing manufacturer.
7. **Upper Frame Pivot Bushings:** Grease upper frame pivot bushings daily with one (1) to two (2) shots of EP-2 Lithium type grease. Wipe off excess grease. **Excessive grease will attract dirt.**
8. **Pivot Assembly Bushings:** Grease top and bottom pivot assembly bushings weekly with one (1) to two (2) shots of EP-2 Lithium type grease. Wipe off excess grease. **Excessive grease will attract dirt.**
9. **Steering Axle Pivot Bushings:** Grease steering axle pivot bushings weekly with one (1) to two (2) shots of EP-2 Lithium type grease. Wipe off excess grease. **Excessive grease will attract dirt.**
10. **Steering Bushings:** Grease steering bushings weekly with one (1) to two (2) shots of EP-2 Lithium type grease. Wipe off excess grease. **Excessive grease will attract dirt.**
11. **Cylinder Lug Pin Bushings:** Grease cylinder lug pin bushings weekly with one (1) to two (2) shots of EP-2 Lithium type grease. Wipe off excess grease. **Excessive grease will attract dirt.**
12. **Drive Axle Chain:** Use a dry lubricant on the drive axle chain and sprockets weekly.
13. **Steel Friction Areas:** Lubricate all steel friction areas including, but not limited to pivoting, hinged, sliding, and rotating areas weekly. (i.e. cutter wheel guard, control box doors, swing out pivot, etc.).
14. **Wheel Hub Bearings:** Inspect and clean the wheel hub bearings, cups, and seals. Replace seals if ever removed. Grease wheel bearings with an EP-2 Lithium type grease. Remove rubber plug and pump grease into E-Z Lube zerk until all of old grease is pumped out of dust cap. Wipe off excess grease and replace rubber plug. **Excessive grease will attract dirt.**
15. **Locking Drive Axle Hub Bearings:** Inspect and clean the locking drive axle hub bearings, cups, and seals. Replace seals if ever removed. Grease hub bearings with an EP-2 Lithium type grease. Wipe off excess grease. **Excessive grease will attract dirt.**

REPLACEMENT PARTS SECTION

Depending on what replacement parts you are ordering the following information will be needed:

GRINDER COMPONENTS

Serial Number
Model Number of Grinder

ENGINE COMPONENTS

Brand
Engine Serial Number
Engine Spec. Number

NOTICE

When ordering any replacement parts you should have the serial number (S/N) and model of the machine to ensure that you receive the correct replacement part. See page 6 for typical serial number & work order number locations.

NOTICE

All nuts, bolts, washers, and many other components can be ordered by physical description.

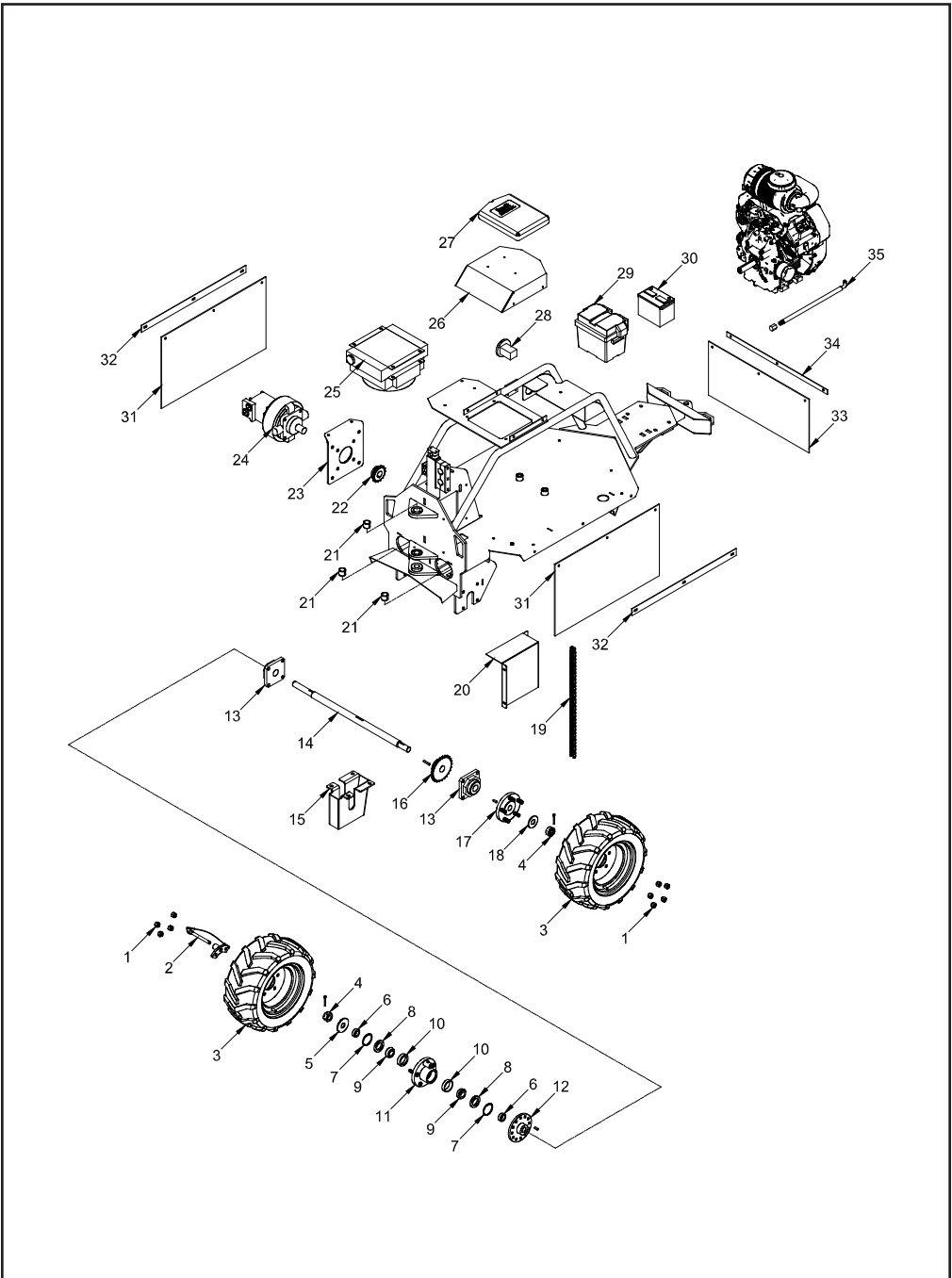
NOTICE

Some of the components shown in this section are for optional equipment and may not apply to every machine.

NOTICE

Bandit Industries Inc. reserves the right to make changes in models, size, design, installations and applications on any part without notification.

MODEL 2250R FRAME COMPONENTS



NOTICE

Parts may not be exactly as shown.

NOTICE

Nuts, bolts, washers, and all other components can be ordered by physical description.

MODEL 2250R FRAME COMPONENTS

| LOCATION | PART NUMBER | DESCRIPTION |
|----------|-------------|--|
| 1. | 900-4914-00 | 1/2"-20NF Lug Nut |
| 2 a. | 203-2000-33 | Wheel Lock Holder |
| b. | 900-4916-32 | Hub Lock Pin |
| 3 a. | 900-5909-22 | 18" x 8.50" - 10" Tire & White, 5 Bolt Rim (Specify Left or Right) |
| b. | 900-5909-20 | 18" x 8.50" - 10" Tire Only |
| c. | 900-5909-21 | 10" x 6" White, 5 Bolt Rim Only |
| 4 a. | 900-4909-08 | 1"-8NC Slotted Hex Nut |
| b. | 900-4911-75 | 3/16" x 2" Cotter Pin |
| 5. | 203-3000-58 | Free Wheel Hub Washer |
| 6. | 203-3000-57 | Bearing Retainer |
| 7. | 900-1910-07 | Retaining Ring |
| 8. | 900-1910-01 | Bearing Seal |
| 9. | 900-1910-02 | Wheel Bearing |
| 10. | 900-1910-03 | Bearing Cup |
| 11 a. | 203-2000-23 | Free Wheel Drive Hub Assembly (Includes 5-10) |
| b. | 900-5905-97 | 1/2"-20NF Stud Only |
| 12 a. | 203-2000-22 | Free Wheel Drive Lock |
| b. | 203-3002-47 | Key for Free Wheel Drive Lock |
| 13. | 900-1916-52 | Drive Axle Bearing |
| 14. | 203-3000-41 | Drive Axle |
| 15. | 203-2000-14 | Chain Drive Cover |
| 16 a. | 900-1917-70 | Drive Axle Sprocket - 24 Tooth |
| b. | 203-3000-80 | Key for Drive Axle Sprocket |
| 17 a. | 203-2000-18 | Drive Axle Hub |
| b. | 203-3002-46 | Key for Drive Axle Hub |
| c. | 900-5905-97 | 1/2"-20NF Stud Only |
| 18. | 900-4904-46 | 1" Mill Carb Washer |
| 19 a. | 900-4916-39 | Drive Axle Chain - 65 Pitches Long |
| b. | 900-1901-19 | Master Link (Not Shown) |
| c. | 900-1901-18 | Half Link (Not Shown) |
| 20. | 203-2000-16 | Drive Sprocket Cover |
| 21. | 900-1902-42 | Split Bushing - 1-1/4" OD x 1" ID x 1" |
| 22. | 900-1917-89 | Drive Motor Sprocket - 15 Tooth |
| 23. | 203-3000-94 | Drive Motor Mount |
| 24. | 900-3952-49 | Braking Drive Motor |
| 25 a. | 900-3953-06 | Hydraulic Oil Cooler |
| b. | 900-3965-78 | Hydraulic Oil Cooler Fan Only |
| 26. | 206-2000-13 | Hydraulic Oil Cooler Fan Cover Assembly |
| 27 a. | 900-9910-28 | Manual Holder |
| b. | 900-4916-30 | Tether for Manual (Not Shown) |
| 28. | 900-2903-76 | Machine Hour Meter |
| 29. | 900-7901-35 | Battery Box |
| 30. | 900-6911-34 | 12 Volt Battery |
| 31 a. | 206-3000-91 | Side Frame Chip Curtain (Start ???/??) |
| b. | 206-3000-47 | Side Frame Chip Curtain (Pre ???/??) |
| 32 a. | 206-3000-92 | Side Frame Chip Curtain Strap (Start ???/??) |
| b. | 206-3000-48 | Side Frame Chip Curtain Strap (Pre ???/??) |
| 33. | 206-3000-39 | Middle Frame Chip Curtain |
| 34. | 206-3000-40 | Middle Frame Chip Curtain Strap |
| 35 a. | 900-3937-80 | Engine Oil Drain Hose |
| b. | 900-3936-41 | Cap for Engine Oil Drain Hose |

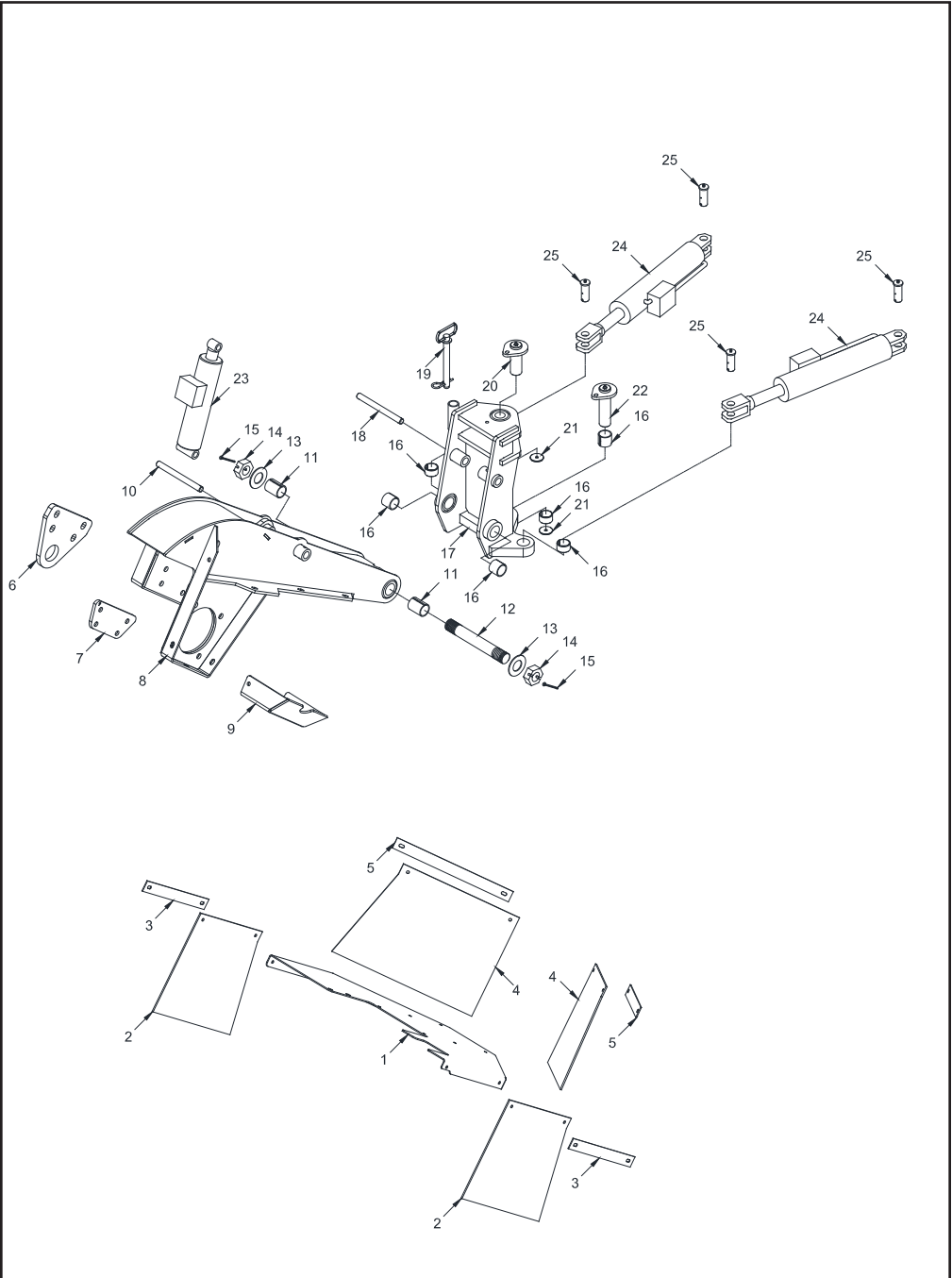
NOTICE

Parts may not be exactly as shown.

NOTICE

Nuts, bolts, washers, and all other components can be ordered by physical description.

MODEL 2250R CUTTER WHEEL ARM COMPONENTS



NOTICE

Parts may not be exactly as shown.

NOTICE

Nuts, bolts, washers, and all other components can be ordered by physical description.

MODEL 2250R CUTTER WHEEL ARM COMPONENTS

| LOCATION | PART NUMBER | DESCRIPTION |
|----------|-------------|--|
| 1. | 206-2000-07 | Chip Pan |
| 2. | 203-3002-97 | Chip Curtain - 14" Wide |
| 3. | 203-3001-49 | Chip Curtain Strap - 14" |
| 4. | 203-3002-98 | Chip Curtain - 17" Wide |
| 5. | 203-3001-44 | Chip Curtain Strap - 17" |
| 6. | 203-3002-71 | Stub Shaft Brace |
| 7. | 203-3002-72 | Backer Plate |
| 8. | 206-2000-06 | Cutter Wheel Arm Assembly |
| 9. | 203-2000-21 | Cutter Wheel Motor Guard Assembly |
| 10. | 206-3000-35 | Cutter Wheel Lift Cylinder Bottom Pin |
| 11. | 900-1918-01 | Split Bushing - 1-1/4" OD x 1" ID x 2" |
| 12 a. | 203-1000-10 | Up / Down Main Pivot Pin Assembly (Includes 12-15) |
| b. | 203-3000-46 | Up / Down Main Pivot Pin Only |
| 13. | 900-4909-01 | 1" Mill Carb Washer |
| 14. | 900-4909-08 | 1"-8NC Slotted Hex Nut |
| 15. | 900-4911-75 | 3/16" x 2" Cotter Pin |
| 16. | 900-1902-42 | Split Bushing - 1-1/4" OD x 1" ID x 1" |
| 17. | 206-2000-05 | Swing Pivot Assembly |
| 18. | 206-3000-24 | Cutter Wheel Lift Cylinder Top Pin |
| 19. | 900-4917-49 | Cutter Wheel Lock Pin |
| 20 a. | 203-2000-10 | Upper Pivot Pin Assembly (Includes 21) |
| b. | 900-4911-84 | Grease Zerk - 1/4" |
| 21. | 203-3000-79 | Pivot Pin Retainer Washer |
| 22 a. | 203-2000-09 | Lower Pivot Pin Assembly (Includes 21) |
| b. | 900-4911-84 | Grease Zerk - 1/4" |
| 23. | 900-3941-35 | Cutter Wheel Lift Cylinder |
| 24. | 900-3958-80 | Swing Cylinder |
| 25. | 900-3934-20 | Cylinder Pin - 1" x 2-7/8" |

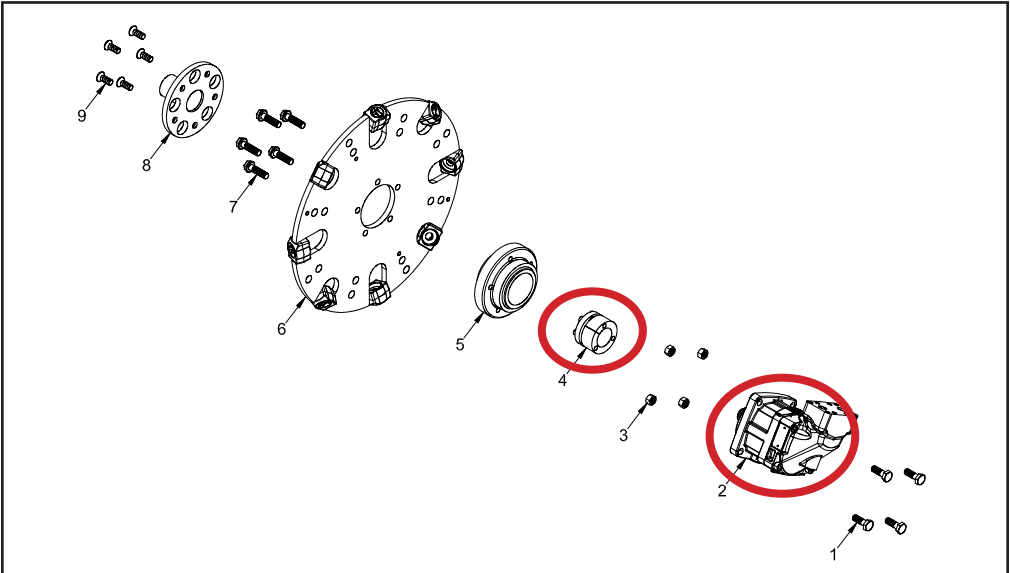
NOTICE

Parts may not be exactly as shown.

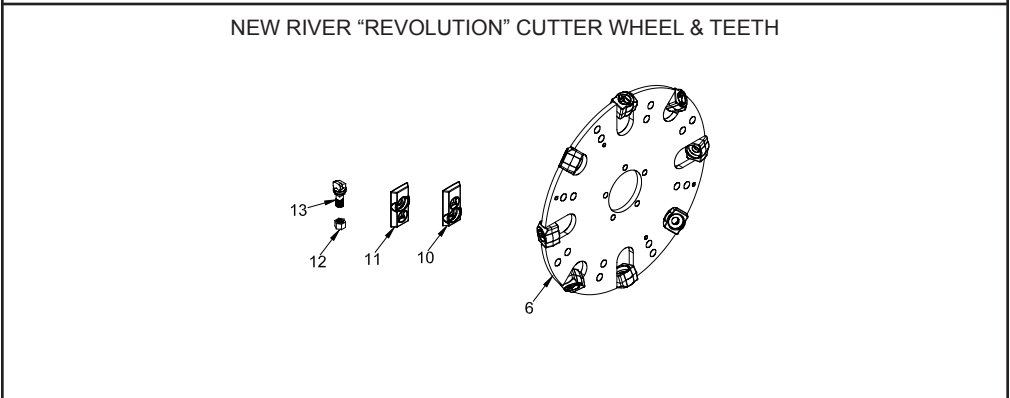
NOTICE

Nuts, bolts, washers, and all other components can be ordered by physical description.

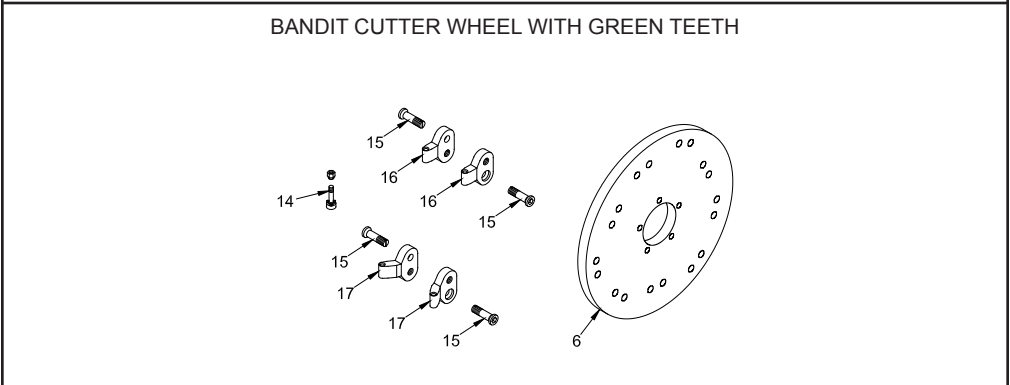
CUTTER WHEEL & TEETH COMPONENTS



NEW RIVER "REVOLUTION" CUTTER WHEEL & TEETH



BANDIT CUTTER WHEEL WITH GREEN TEETH



NOTICE

Parts may not be exactly as shown.

NOTICE

Nuts, bolts, washers, and all other components can be ordered by physical description.

CUTTER WHEEL & TEETH COMPONENTS

| LOCATION | PART NUMBER | DESCRIPTION |
|----------|-------------|---|
| 1. | 900-4918-43 | 14mm x 55mm Hex Head Bolt |
| 2 a. | 900-3959-06 | Cutter Wheel Motor |
| b. | 900-3951-91 | Manifold Block For Cutter Wheel Motor |
| 3. | 900-4907-88 | 14mm Hex Nut |
| 4. | 900-1919-18 | Taper Lock Coupler |
| 5 a. | 203-3002-57 | Cutter Wheel Hub - New Revolution Wheel |
| b. | 203-3002-56 | Cutter Wheel Hub - Green Teeth Wheel |
| 6 a. | 900-9912-85 | New River "Revolution" Cutter Wheel - Hex Teeth (Incl. Teeth & Holders) |
| b. | 203-3001-05 | Bandit Cutter Wheel for Green Teeth |
| 7. | 900-4906-73 | 1/2"-13NC x 1-3/4" Hex Head Bolt |
| 8. | 203-2000-69 | Stub Shaft Assembly |
| 9. | 900-4915-79 | 1/2"-13NC x 1" Flat Head Cap Screw |
| 10. | 900-9912-25 | Holder With Locator Pin for Hex Teeth (8 Required) |
| 11. | 900-9912-26 | Holder Without Locator Pin for Hex Teeth (8 Required) |
| 12. | 900-9909-99 | Tooth Nut (24 Required) |
| 13 a. | 900-9912-22 | Lead Tooth "Shorts" - Hex (8 Required) |
| b. | 900-9912-22 | Side Tooth "Longs" - Hex (16 Required) |
| 14 a. | 900-9907-76 | Green Tooth With Nut |
| b. | 900-9907-15 | 18 Green Teeth Kit (Incl. Pockets & Bolts) |
| 15. | 900-9907-14 | Pocket Bolt |
| 16. | 900-9907-05 | Straight Pocket |
| 17. | 900-9907-04 | Angle Pocket |
| 18. | 900-9904-57 | 1/2" Allen Key Socket For 1/2" Drive (Not Shown) |

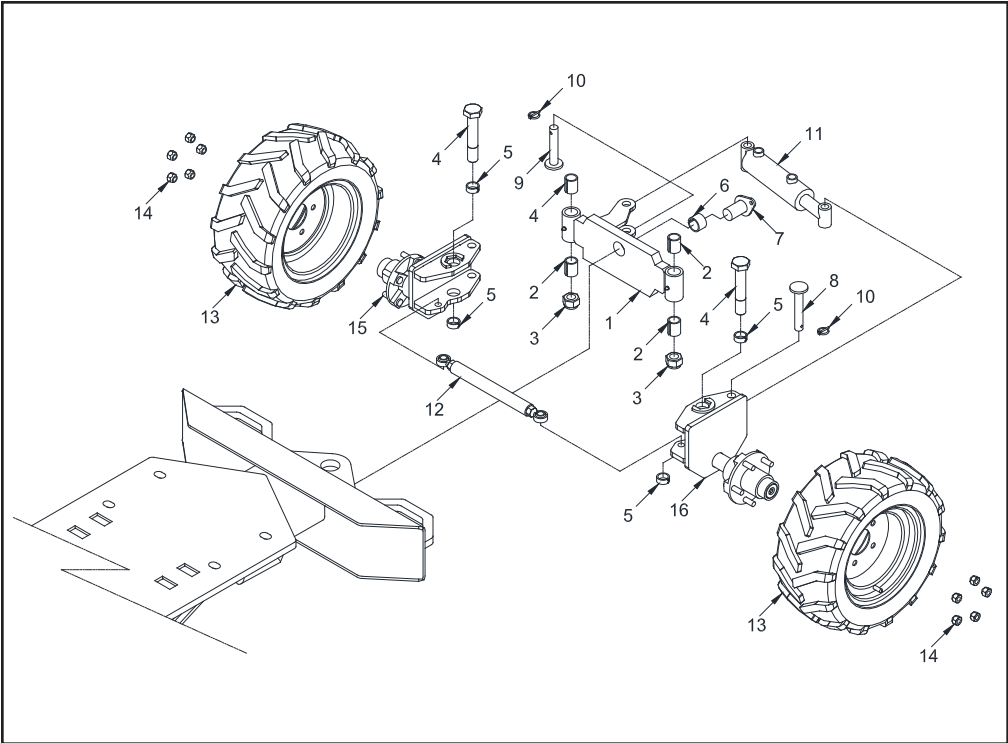
NOTICE

Parts may not be exactly as shown.

NOTICE

Nuts, bolts, washers, and all other components can be ordered by physical description.

MODEL 2250R STEERING COMPONENTS



| LOCATION | PART NUMBER | DESCRIPTION |
|----------|-------------|--|
| 1 a. | 206-2000-01 | Pivot Steering Mount |
| b. | 900-4911-84 | Grease Zerk - 1/4" |
| 2. | 900-1902-50 | Split Bushing - 1-1/4" OD x 1" ID x 1-1/2" |
| 3. | 900-4900-80 | 1"-8NC Nylon Insert Hex Lock Nut |
| 4. | 900-4913-38 | 1"-8NC x 5-1/2" Hex Head Bolt (1-1/4" of Thread) - Special |
| 5. | 900-1919-25 | Split Bushing - 1-1/4" OD x 1" ID x 1/2" |
| 6. | 900-1912-57 | Split Bushing - 1-1/2" OD x 1-1/4" ID x 1" |
| 7. | 206-2000-04 | Steering Pivot Pin Assembly |
| 8. | 993-200022 | Steering Cylinder Pin - 5-1/8" Long (Road) Side |
| 9. | 993-200023 | Steering Cylinder Pin - 4" Long (Curb) Side |
| 10. | 900-4907-28 | 3/16" Lynch Pin |
| 11. | 900-3937-68 | Steering Cylinder |
| 12. | 203-1000-03 | Steering Tie Rod Assembly |
| 13 a. | 900-5909-22 | 18" x 8.50" - 10" Tire & White, 5 Bolt Rim (Specify Left or Right) |
| b. | 900-5909-20 | 18" x 8.50" - 10" Tire Only |
| c. | 900-5909-21 | 10" x 6" White, 5 Bolt Rim Only |
| 14. | 900-4914-00 | 1/2"-20NF Lug Nut |
| 15. | 206-2000-03 | Steering Spindle Assembly - Right (Curb) Side |
| 16. | 206-2000-02 | Steering Spindle Assembly - Left (Road) Side |

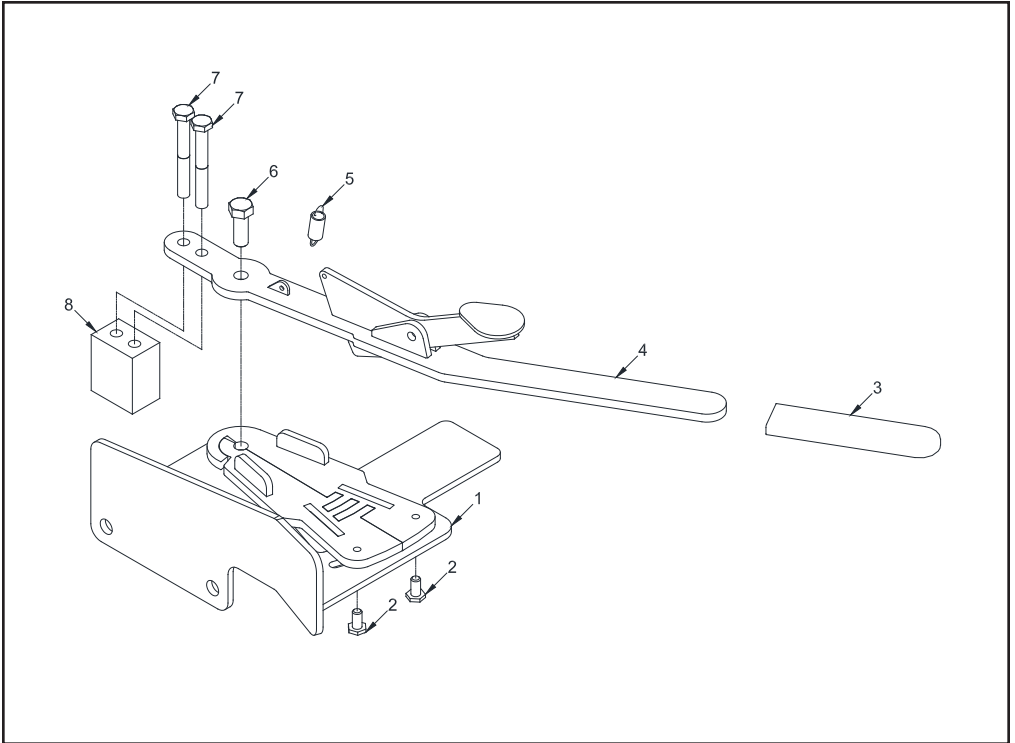
NOTICE

Parts may not be exactly as shown.

NOTICE

Nuts, bolts, washers, and all other components can be ordered by physical description.

CUTTER WHEEL ENGAGEMENT LEVER COMPONENTS



| LOCATION | PART NUMBER | DESCRIPTION |
|----------|-------------|--|
| ** | 206-1000-07 | Complete Cutter Wheel Engagement Lever Assembly |
| 1. | 206-2000-11 | Cutter Wheel Engagement Lever Mount Assembly |
| 2. | 900-4909-75 | 1/4"-20NC Cutter Wheel Engagement Lever Mount Bolt |
| 3. | 900-9906-75 | Black Plastic Handle |
| 4. | 206-2000-12 | Pump Engagement Handle Assembly |
| 5. | 900-4915-67 | Spring w/ Loop Ends |
| 6. | 900-4900-13 | 3/8"-16NC Pump Engagement Handle Pivot Bolt |
| 7. | 900-4906-40 | 5/16"-18NC Pump Engagement Handle Mount Bolt |
| 8. | 206-3000-74 | Pump to Engagement Handle Connection Block |

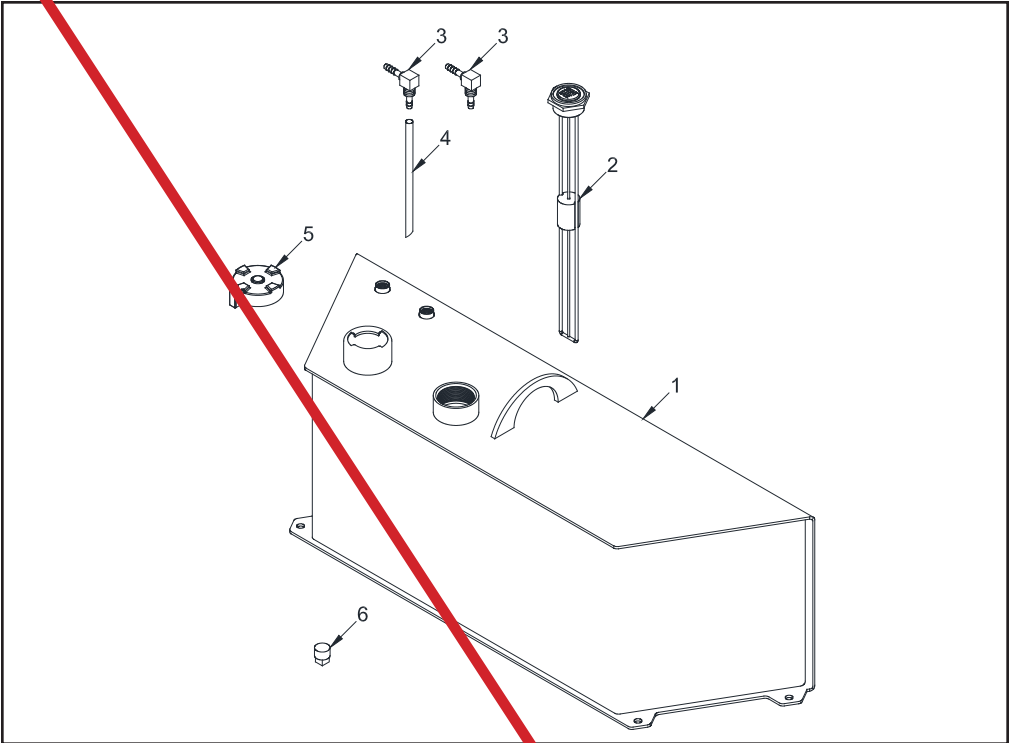
NOTICE

Parts may not be exactly as shown.

NOTICE

Nuts, bolts, washers, and all other components can be ordered by physical description.

FUEL TANK COMPONENTS



| LOCATION | PART NUMBER | DESCRIPTION |
|----------|-------------|--|
| 1 a. | 206-1000-09 | Fuel Tank Assembly (Star ????) |
| b. | 206-1000-06 | Fuel Tank Assembly (Pre ????) |
| c. | 206-2000-19 | Fuel Tank Weldment (Star ????) |
| d. | 206-2000-09 | Fuel Tank Weldment (Pre ????) |
| 2 a. | 900-2929-09 | Rochester Sight Gauge for Fuel Tank - 8" |
| b. | 900-2903-55 | Face for Sight Gauge Only |
| 3. | 900-3943-22 | 1/4" NPTF To 3/16" Hose Barb |
| 4. | 900-3909-03 | Suction Pipe Assembly |
| 5. a. | 900-3941-30 | Fuel (Gasoline) Locking Fill Cap - Black |
| b. | 900-4912-40 | Padlock With Short Shackle for Tank With Locking Cap (Not Shown) |
| c. | P812 | Key for Padlock (Not Shown) |
| 6. | 900-3922-60 | Magnetic Drain Plug |

NOTICE

Parts may not be exactly as shown.

NOTICE

Tank assemblies vary with options. Specify all options when ordering.

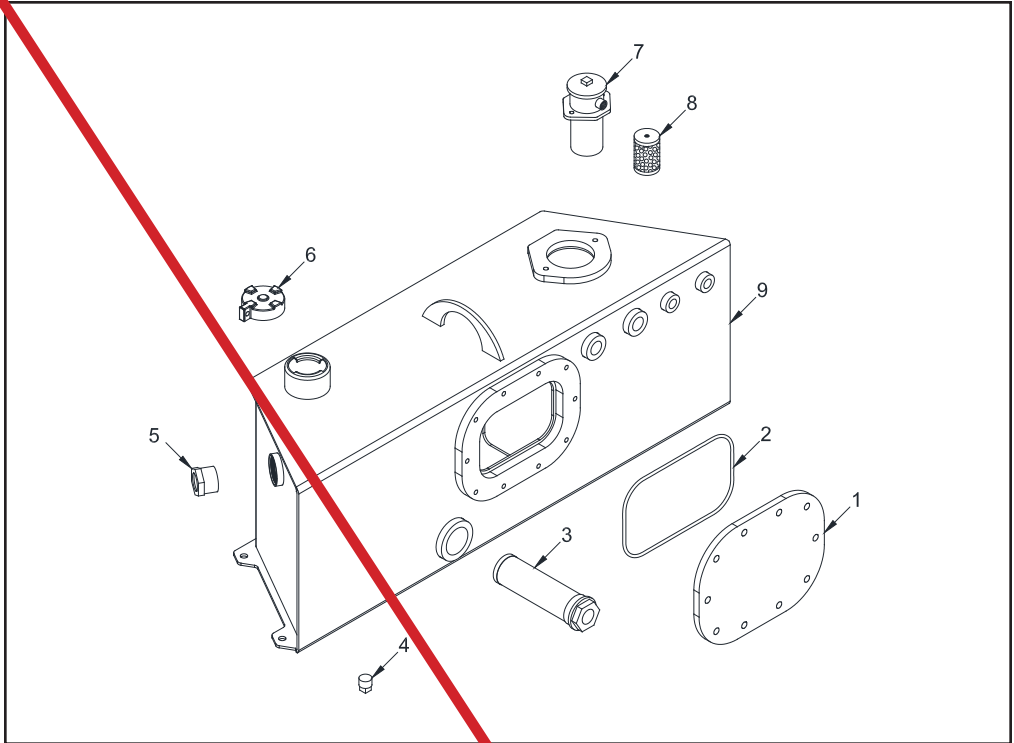
NOTICE

Components vary with fuel type. Specify gas or diesel when ordering fuel tank components.

NOTICE

Nuts, bolts, washers, and all other components can be ordered by physical description.

HYDRAULIC TANK COMPONENTS



| LOCATION | PART NUMBER | DESCRIPTION |
|----------|-------------|--|
| 1. | 988-300134 | Clean Out Door - Hydraulic tank |
| 2. | 900-3950-33 | Rubber O-Ring |
| 3. | 900-3944-78 | Suction Screen |
| 4. | 900-3922-60 | Magnetic Drain Plug |
| 5. | 900-3900-44 | Glass Sight Gauge for Hydraulic Tank |
| 6 a. | 900-3941-30 | Hydraulic Locking Fill Cap - Black |
| b. | 900-4912-40 | Padlock With Short Shackle for Tank With Locking Cap (Not Shown) |
| c. | P812 | Key for Padlock (Not Shown) |
| 7. | 900-3951-31 | In-Tank Return Filter Assembly - Includes Filter |
| 8. | 900-3951-32 | In-Tank Hydraulic Oil Filter Only |
| 9 a. | 206-1000-08 | Hydraulic Tank Assembly (Start ????) |
| b. | 206-1000-05 | Hydraulic Tank Assembly (Pre ????) |
| c. | 206-2000-18 | Hydraulic Tank Weldment (Start ????) |
| d. | 206-2000-08 | Hydraulic Tank Weldment (Pre ????) |

NOTICE

Parts may not be exactly as shown.

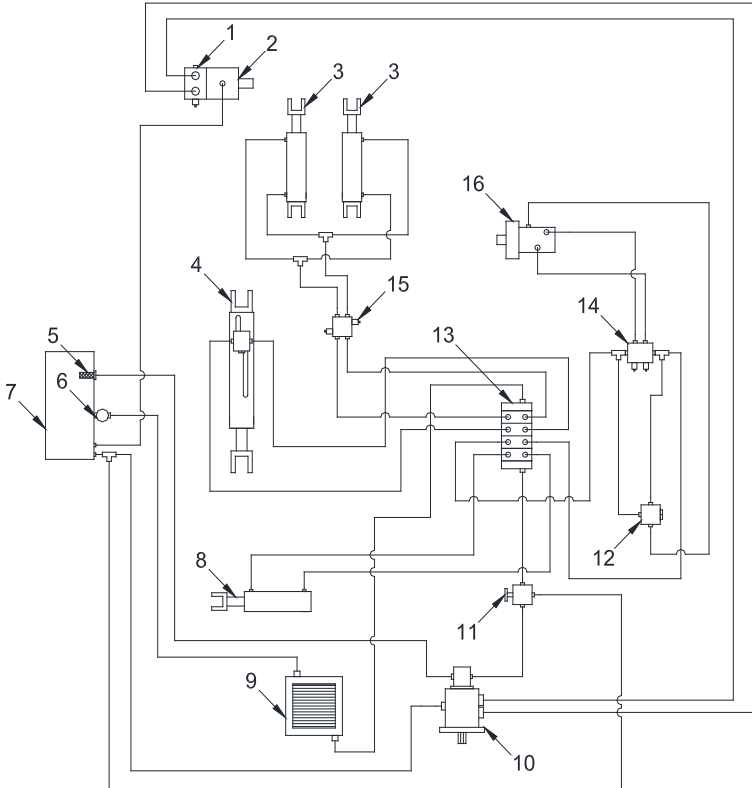
NOTICE

Tank assemblies vary with options. Specify all options when ordering.

NOTICE

Nuts, bolts, washers, and all other components can be ordered by physical description.

MODEL 2250R HYDRAULIC COMPONENTS



NOTICE

Parts may not be exactly as shown.

NOTICE

Make sure to order components according to fitting type, fittings may vary on all components. Hydraulic components, fittings, hoses will vary depending on optional equipment. Order by physical description.

MODEL 2250R HYDRAULIC COMPONENTS

| LOCATION | PART NUMBER | DESCRIPTION |
|----------|-------------|--|
| 1 a. | 900-3951-91 | Cutter Wheel Motor Manifold Relief |
| b. | 900-3956-04 | Relief Only |
| 2. | 900-3959-06 | Cutter Wheel Motor |
| 3. | 900-3958-80 | Swing Cylinder |
| 4. | 900-3941-35 | Cutter Wheel Lift Cylinder |
| 5. | 900-3944-78 | Hydraulic Tank Strainer |
| 6 a. | 900-3951-32 | In-Tank Hydraulic Oil Filter Only |
| b. | 900-3951-31 | In-Tank Return Filter Assembly - Includes Filter |
| 7. | See Page 61 | Hydraulic Tank |
| 8. | 900-3937-68 | Steering Cylinder |
| 9. | 900-3953-06 | Oil Cooler |
| 10. | 900-3963-72 | Cutter Wheel Pump |
| 11. | 900-3965-15 | Flow Control |
| 12 a. | 900-3943-52 | Shuttle Valve Only |
| b. | 900-3945-55 | Shuttle Valve Block Only |
| 13 a. | 900-3952-74 | Manual Control Valve - 4 Bank |
| b. | 900-3952-76 | Valve Handle Only (Not Shown) |
| 14 a. | 900-3956-84 | Double Counter Balance |
| b. | 900-3929-09 | Counter Balance Relief Only |
| 15. | 900-3965-16 | Cross Line Swing Relief |
| 16. | 900-3952-49 | Braking Drive Motor |

NOTICE

Parts may not be exactly as shown.

NOTICE

Make sure to order components according to fitting type, fittings may vary on all components. Hydraulic components, fittings, hoses will vary depending on optional equipment. Order by physical description.

MODEL 2250R HYDRAULIC COMPONENTS

1.



In-Tank Return Filter Ass'y: 900-3951-31
 In-Tank Hydraulic Oil Filter Only: 900-3931-52

2.



Suction Screen: 900-3944-78

3.



Double Counter Balance: 900-3956-84
 Counter Balance Relief Only: 900-3929-09

4.



Shuttle Valve Only: 900-3943-52
 Shuttle Valve Block Only: 900-3943-55

5.



Manual Control Valve - 4 Bank: 900-3952-74
 Valve Handle Only: 900-3952-76

6.



Cross Line Swing Relief: 900-3965-16

NOTICE

Parts may not be exactly as shown.

MODEL 2250R HYDRAULIC COMPONENTS

1.



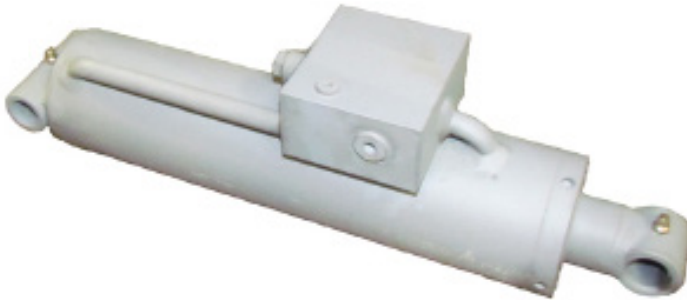
Swing Cylinder: 900-3958-80

2.



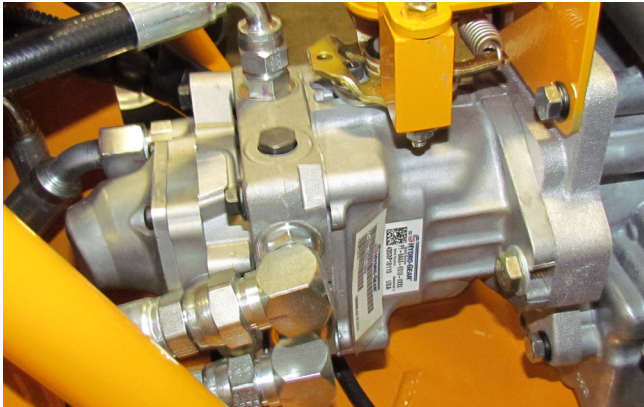
Steering Cylinder: 900-3937-68

3.



Cutter Wheel Lift Cylinder: 900-3941-35

4.



Cutter Wheel Pump: 900-3963-72

NOTICE

Parts may not be exactly as shown.

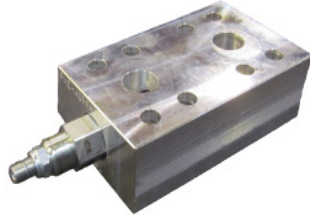
MODEL 2250R HYDRAULIC COMPONENTS

1.

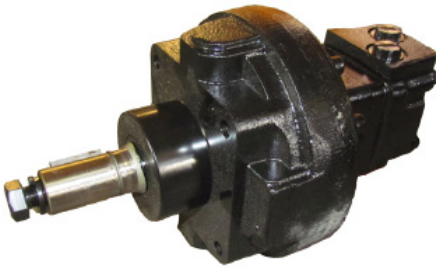


Cutter Wheel Motor: 900-3959-06

2.

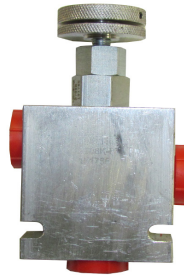
Cutter Wheel Motor Manifold Relief: 900-3951-91
Relief Only: 900-3956-04

3.



Braking Drive Motor: 900-3952-49

4.



Flow Control: 900-3965-15

5.



Oil Cooler: 900-3953-06

6.



Oil Cooler Temperature Switch: 900-3966-18

NOTICE

Parts may not be exactly as shown.

